

Test Laboratory: Compliance Certification Services

1_Left hand side

DUT: Intermec Technologies Corporation; Type: 700C; Serial: 13790400010 (With 802.11bg, CDMA and Bluetooth)

Communication System: CDMA; Frequency: 835.89 MHz; Duty Cycle: 1:1

Medium parameters used (interpolated): $f = 835.89$ MHz; $\sigma = 0.931$ mho/m; $\epsilon_r = 41.5$; $\rho = 1000$ kg/m³

Phantom section: Left Section

Room Ambient Temperature: 23.5 deg. C; Liquid Temperature: 23.0 deg. C

DASY4 Configuration:

- Area Scan setting - Find Secondary Maximum Within: 2.0 dB and with a peak SAR value greater than 0.0012W/kg
- Probe: EX3DV3 - SN3531; ConvF(10.7, 10.7, 10.7); Calibrated: 7/18/2004
- Sensor-Surface: 2.5mm (Mechanical Surface Detection)
- Electronics: DAE3 Sn500; Calibrated: 2/7/2005
- Phantom: SAM 2; Type: SAM 2; Serial: 1050
- Measurement SW: DASY4, V4.5 Build 19; Postprocessing SW: SEMCAD, V1.8 Build 146

Tilt position_M-ch/Area Scan (9x15x1): Measurement grid: dx=15mm, dy=15mm

[Info: Interpolated medium parameters used for SAR evaluation!](#)

Maximum value of SAR (measured) = 0.197 mW/g

Tilt position_M-ch/Zoom Scan (5x5x7)/Cube 0: Measurement grid: dx=7.5mm, dy=7.5mm, dz=5mm

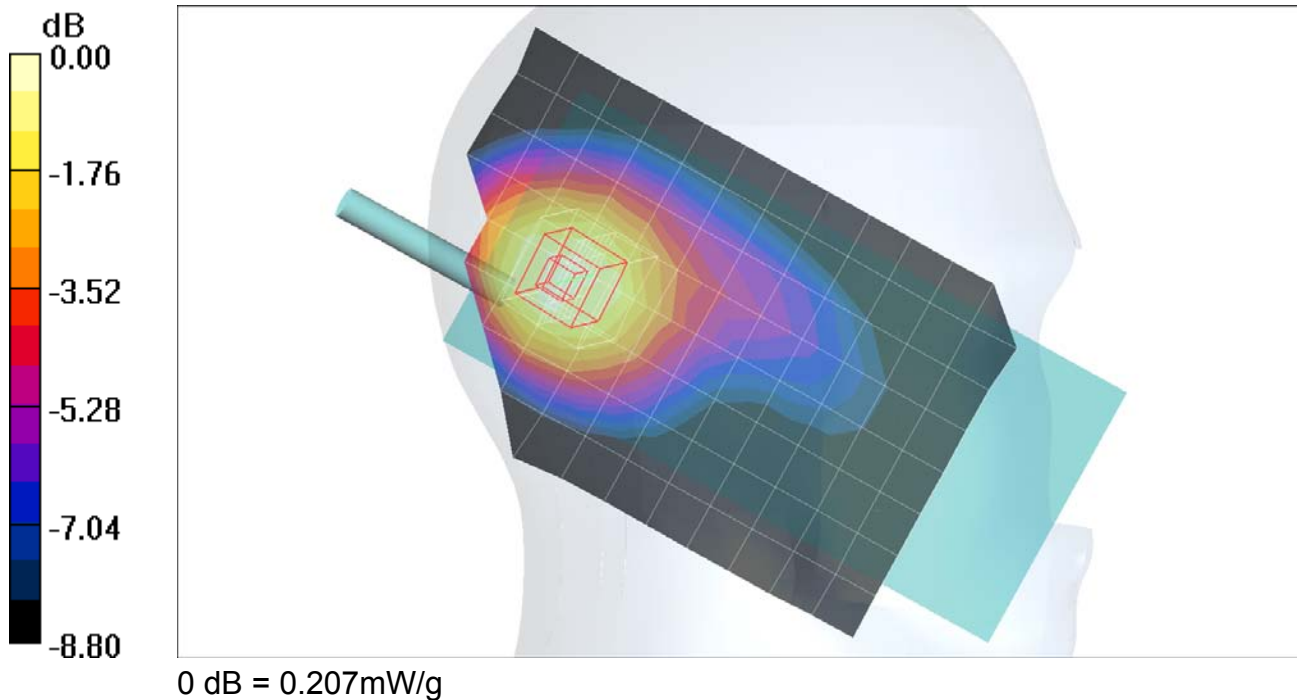
Reference Value = 8.81 V/m; Power Drift = -0.139 dB

Peak SAR (extrapolated) = 0.236 W/kg

SAR(1 g) = 0.181 mW/g; SAR(10 g) = 0.131 mW/g

[Info: Interpolated medium parameters used for SAR evaluation!](#)

Maximum value of SAR (measured) = 0.207 mW/g



Test Laboratory: Compliance Certification Services

1_Left hand side

DUT: Intermec Technologies Corporation; Type: 700C; Serial: 13790400010 (With 802.11bg, CDMA and Bluetooth)

Communication System: 802.11bg; Frequency: 2437 MHz; Duty Cycle: 1:1

Medium parameters used (interpolated): $f = 2437$ MHz; $\sigma = 1.86$ mho/m; $\epsilon_r = 39.6$; $\rho = 1000$ kg/m³

Phantom section: Left Section

Room Ambient Temperature: 23.5 deg. C; Liquid Temperature: 23.0 deg. C

DASY4 Configuration:

- Area Scan setting - Find Secondary Maximum Within: 2.0 dB and with a peak SAR value greater than 0.0012W/kg
- Probe: EX3DV3 - SN3531; ConvF(8.11, 8.11, 8.11); Calibrated: 7/18/2004
- Sensor-Surface: 2.5mm (Mechanical Surface Detection)
- Electronics: DAE3 Sn500; Calibrated: 2/7/2005
- Phantom: SAM 2; Type: SAM 2; Serial: 1050
- Measurement SW: DASY4, V4.5 Build 19; Postprocessing SW: SEMCAD, V1.8 Build 146

Tilt position_M-ch/Area Scan (9x11x1): Measurement grid: dx=15mm, dy=15mm

[Info: Interpolated medium parameters used for SAR evaluation!](#)

Maximum value of SAR (measured) = 0.112 mW/g

Tilt position_M-ch/Zoom Scan (5x5x7)/Cube 0: Measurement grid: dx=7.5mm, dy=7.5mm, dz=5mm

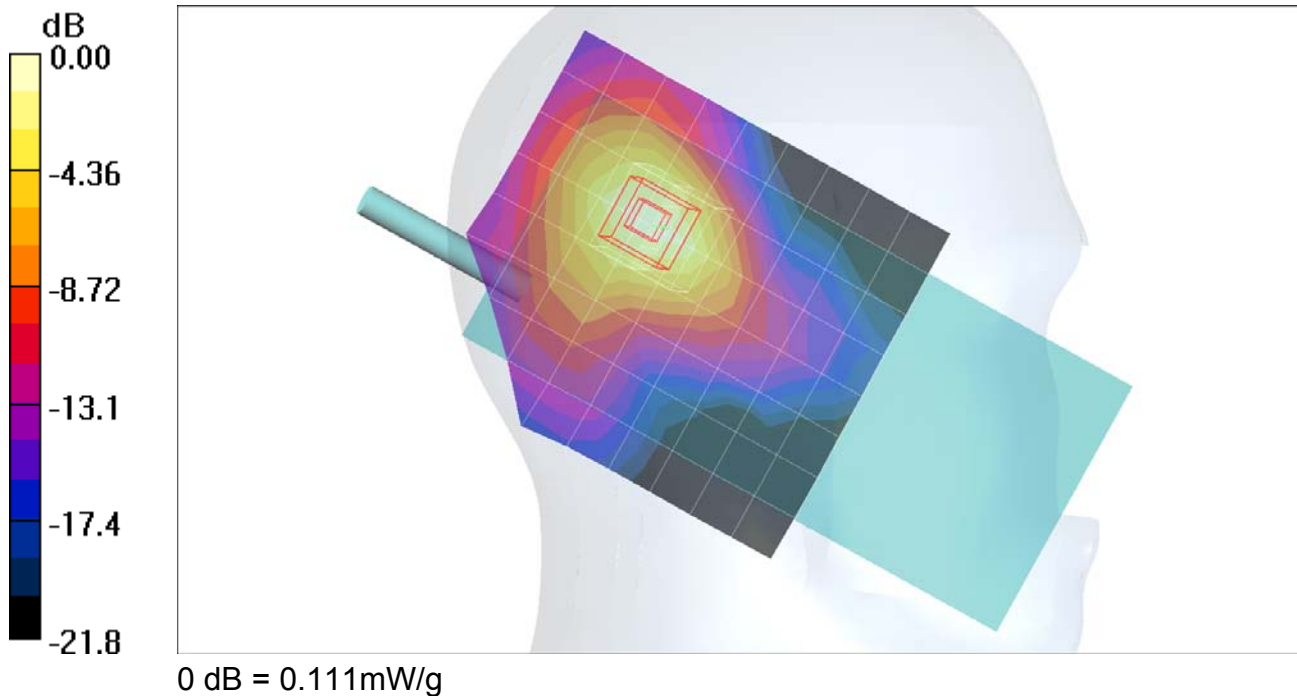
Reference Value = 2.74 V/m; Power Drift = -0.136 dB

Peak SAR (extrapolated) = 0.155 W/kg

SAR(1 g) = 0.084 mW/g; SAR(10 g) = 0.043 mW/g

[Info: Interpolated medium parameters used for SAR evaluation!](#)

Maximum value of SAR (measured) = 0.111 mW/g



Test Laboratory: Compliance Certification Services

1_Left hand side

DUT: Intermec Technologies Corporation; Type: 700C; Serial: 13790400010 (With 802.11bg, CDMA and Bluetooth)

Communication System: Bluetooth; Frequency: 2441 MHz; Duty Cycle: 1:1

Medium parameters used (interpolated): $f = 2441$ MHz; $\sigma = 1.87$ mho/m; $\epsilon_r = 39.5$; $\rho = 1000$ kg/m³

Phantom section: Left Section

Room Ambient Temperature: 23.5 deg. C; Liquid Temperature: 23.0 deg. C

DASY4 Configuration:

- Area Scan setting - Find Secondary Maximum Within: 2.0 dB and with a peak SAR value greater than 0.0012W/kg
- Probe: EX3DV3 - SN3531; ConvF(8.11, 8.11, 8.11); Calibrated: 7/18/2004
- Sensor-Surface: 2.5mm (Mechanical Surface Detection)
- Electronics: DAE3 Sn500; Calibrated: 2/7/2005
- Phantom: SAM 2; Type: SAM 2; Serial: 1050
- Measurement SW: DASY4, V4.5 Build 19; Postprocessing SW: SEMCAD, V1.8 Build 146

Tilt position_M-ch/Area Scan (9x11x1): Measurement grid: dx=15mm, dy=15mm

[Info: Interpolated medium parameters used for SAR evaluation!](#)

Maximum value of SAR (measured) = 0.00 mW/g

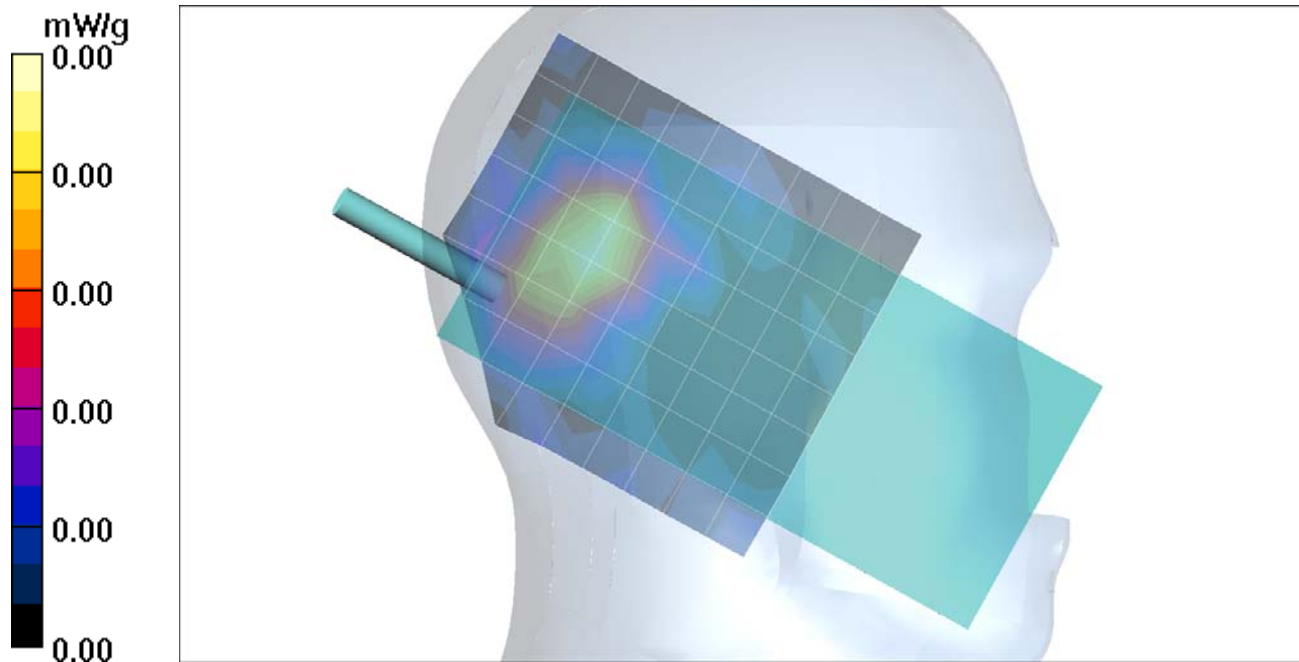
Tilt position_M-ch/Zoom Scan (5x5x7)/Cube 0: Measurement grid: dx=7.5mm, dy=7.5mm, dz=5mm

Reference Value = 0.411 V/m; Power Drift = -0.252 dB

Peak SAR (extrapolated) = 0.01 W/kg

SAR(1 g) = 0.00382 mW/g; SAR(10 g) = 0.00209 mW/g

[Info: Interpolated medium parameters used for SAR evaluation!](#)



Test Laboratory: Compliance Certification Services

1_Left hand side

DUT: Intermec Technologies Corporation; Type: 700C; Serial: 13790400010 (With 802.11bg, CDMA and Bluetooth)

Communication System: CDMA PCS band; Frequency: 1880 MHz; Duty Cycle: 1:1
Medium parameters used: $f = 1880$ MHz; $\sigma = 1.41$ mho/m; $\epsilon_r = 41.9$; $\rho = 1000$ kg/m³

Phantom section: Left Section

Room Ambient Temperature: 23.5 deg. C; Liquid Temperature: 23.0 deg. C

DASY4 Configuration:

- Area Scan setting - Find Secondary Maximum Within: 2.0 dB and with a peak SAR value greater than 0.0012W/kg
- Probe: EX3DV3 - SN3531; ConvF(8.98, 8.98, 8.98); Calibrated: 7/18/2004
- Sensor-Surface: 2.5mm (Mechanical Surface Detection)
- Electronics: DAE3 Sn500; Calibrated: 2/7/2005
- Phantom: SAM 2; Type: SAM 2; Serial: 1050
- Measurement SW: DASY4, V4.5 Build 19; Postprocessing SW: SEMCAD, V1.8 Build 146

Tilt position_M-ch/Area Scan (9x15x1): Measurement grid: dx=15mm, dy=15mm

Maximum value of SAR (measured) = 0.198 mW/g

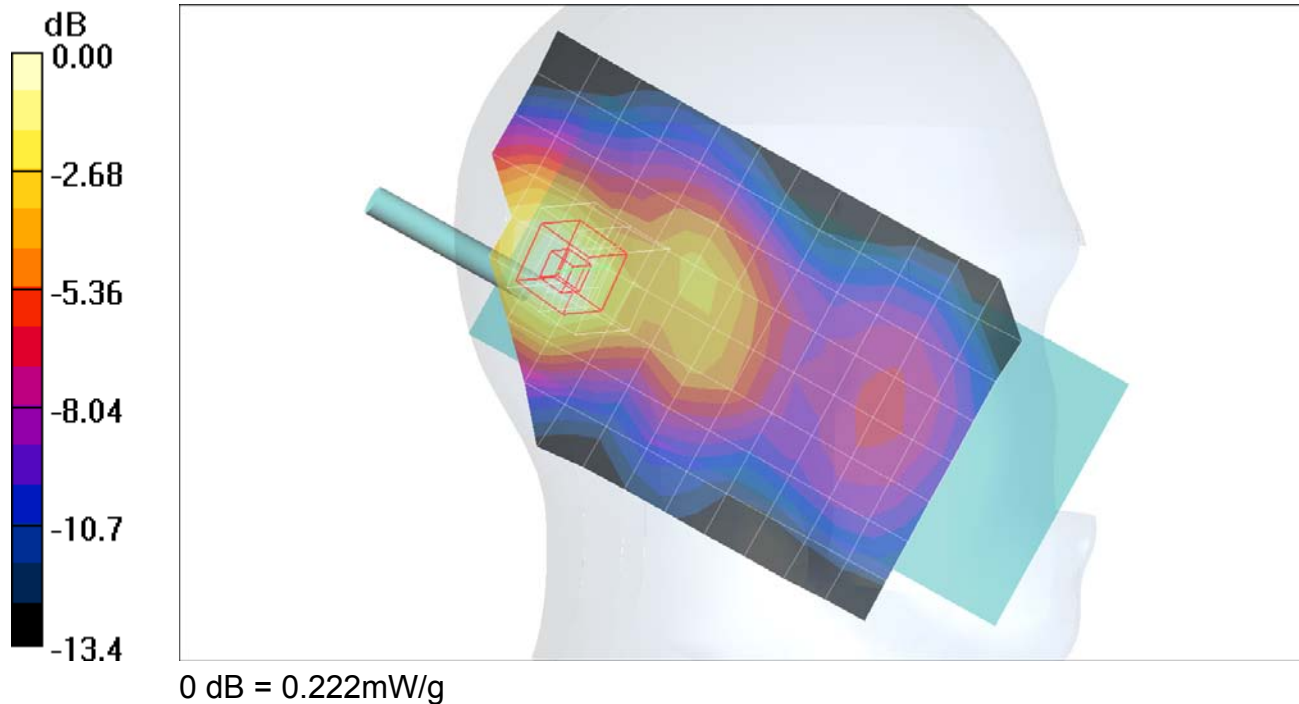
Tilt position_M-ch/Zoom Scan (5x5x7)/Cube 0: Measurement grid: dx=7.5mm, dy=7.5mm, dz=5mm

Reference Value = 7.96 V/m; Power Drift = -0.064 dB

Peak SAR (extrapolated) = 0.270 W/kg

SAR(1 g) = 0.189 mW/g; SAR(10 g) = 0.122 mW/g

Maximum value of SAR (measured) = 0.222 mW/g



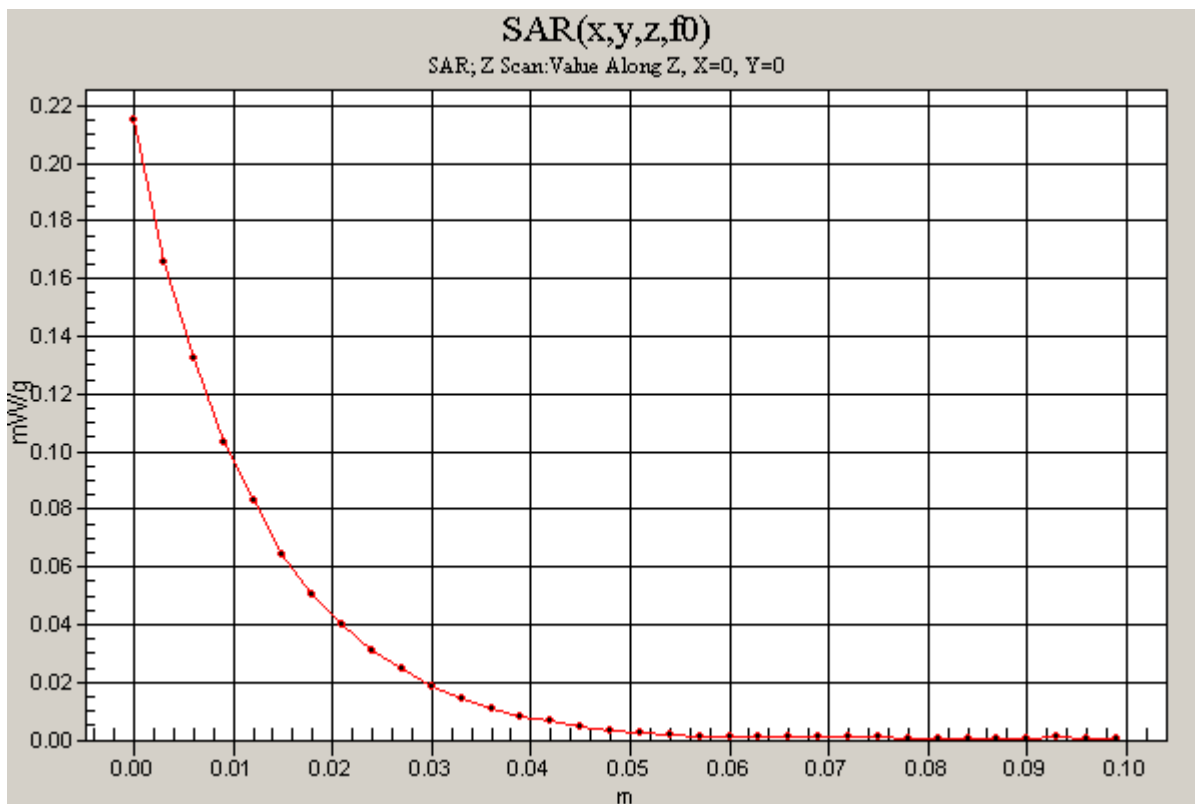
Test Laboratory: Compliance Certification Services

1_Left hand side

DUT: Intermec Technologies Corporation; Type: 700C; Serial: 13790400010 (With 802.11bg, CDMA and Bluetooth)

Communication System: CDMA PCS band; Frequency: 1880 MHz;Duty Cycle: 1:1

Tilt position_M-ch/Z Scan (1x1x34): Measurement grid: dx=20mm, dy=20mm, dz=3mm
Maximum value of SAR (measured) = 0.215 mW/g



Test Laboratory: Compliance Certification Services

2_Right hand side

DUT: Intermec Technologies Corporation; Type: 700C; Serial: 13790400010 (With 802.11bg, CDMA and Bluetooth)

Communication System: CDMA; Frequency: 824.7 MHz; Duty Cycle: 1:1

Medium parameters used (interpolated): $f = 824.7$ MHz; $\sigma = 0.919$ mho/m; $\epsilon_r = 41.7$; $\rho = 1000$ kg/m³

Phantom section: Right Section

Room Ambient Temperature: 23.5 deg. C; Liquid Temperature: 23.0 deg. C

DASY4 Configuration:

- Area Scan setting - Find Secondary Maximum Within: 2.0 dB and with a peak SAR value greater than 0.0012W/kg
- Probe: EX3DV3 - SN3531; ConvF(10.7, 10.7, 10.7); Calibrated: 7/18/2004
- Sensor-Surface: 2.5mm (Mechanical Surface Detection)
- Electronics: DAE3 Sn500; Calibrated: 2/7/2005
- Phantom: SAM 2; Type: SAM 2; Serial: 1050
- Measurement SW: DASY4, V4.5 Build 19; Postprocessing SW: SEMCAD, V1.8 Build 146

Tilt position_M-ch/Area Scan (9x15x1): Measurement grid: dx=15mm, dy=15mm

[Info: Interpolated medium parameters used for SAR evaluation!](#)

Maximum value of SAR (measured) = 0.340 mW/g

Tilt position_M-ch/Zoom Scan (5x5x7)/Cube 0: Measurement grid: dx=7.5mm, dy=7.5mm, dz=5mm

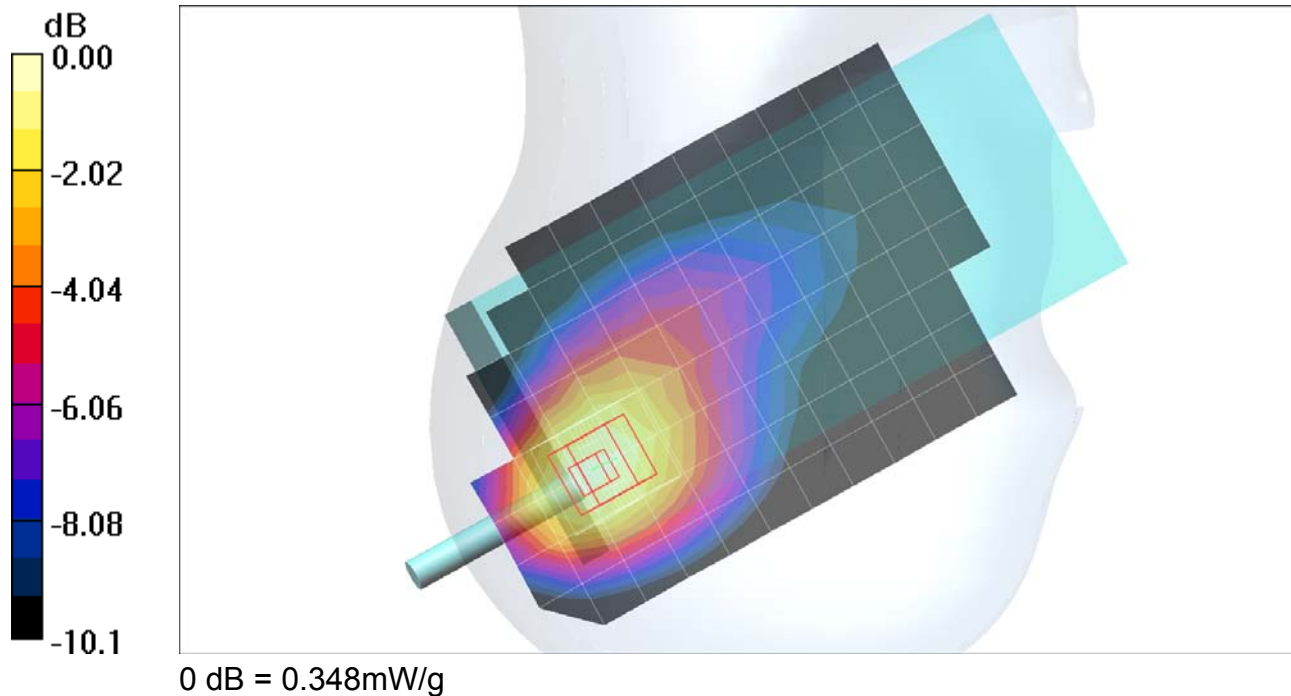
Reference Value = 10.5 V/m; Power Drift = -0.073 dB

Peak SAR (extrapolated) = 0.405 W/kg

SAR(1 g) = 0.297 mW/g; SAR(10 g) = 0.204 mW/g

[Info: Interpolated medium parameters used for SAR evaluation!](#)

Maximum value of SAR (measured) = 0.348 mW/g



Test Laboratory: Compliance Certification Services

2_Right hand side

DUT: Intermec Technologies Corporation; Type: 700C; Serial: 13790400010 (With 802.11bg, CDMA and Bluetooth)

Communication System: 802.11bg; Frequency: 2437 MHz; Duty Cycle: 1:1

Medium parameters used (interpolated): $f = 2437$ MHz; $\sigma = 1.86$ mho/m; $\epsilon_r = 39.6$; $\rho = 1000$ kg/m³

Phantom section: Right Section

Room Ambient Temperature: 23.5 deg. C; Liquid Temperature: 23.0 deg. C

DASY4 Configuration:

- Area Scan setting - Find Secondary Maximum Within: 2.0 dB and with a peak SAR value greater than 0.0012W/kg
- Probe: EX3DV3 - SN3531; ConvF(8.11, 8.11, 8.11); Calibrated: 7/18/2004
- Sensor-Surface: 2.5mm (Mechanical Surface Detection)
- Electronics: DAE3 Sn500; Calibrated: 2/7/2005
- Phantom: SAM 2; Type: SAM 2; Serial: 1050
- Measurement SW: DASY4, V4.5 Build 19; Postprocessing SW: SEMCAD, V1.8 Build 146

Tilt position_M-ch/Area Scan (9x11x1): Measurement grid: dx=15mm, dy=15mm

[Info: Interpolated medium parameters used for SAR evaluation!](#)

Maximum value of SAR (measured) = 0.070 mW/g

Tilt position_M-ch/Zoom Scan (5x5x7)/Cube 0: Measurement grid: dx=7.5mm, dy=7.5mm, dz=5mm

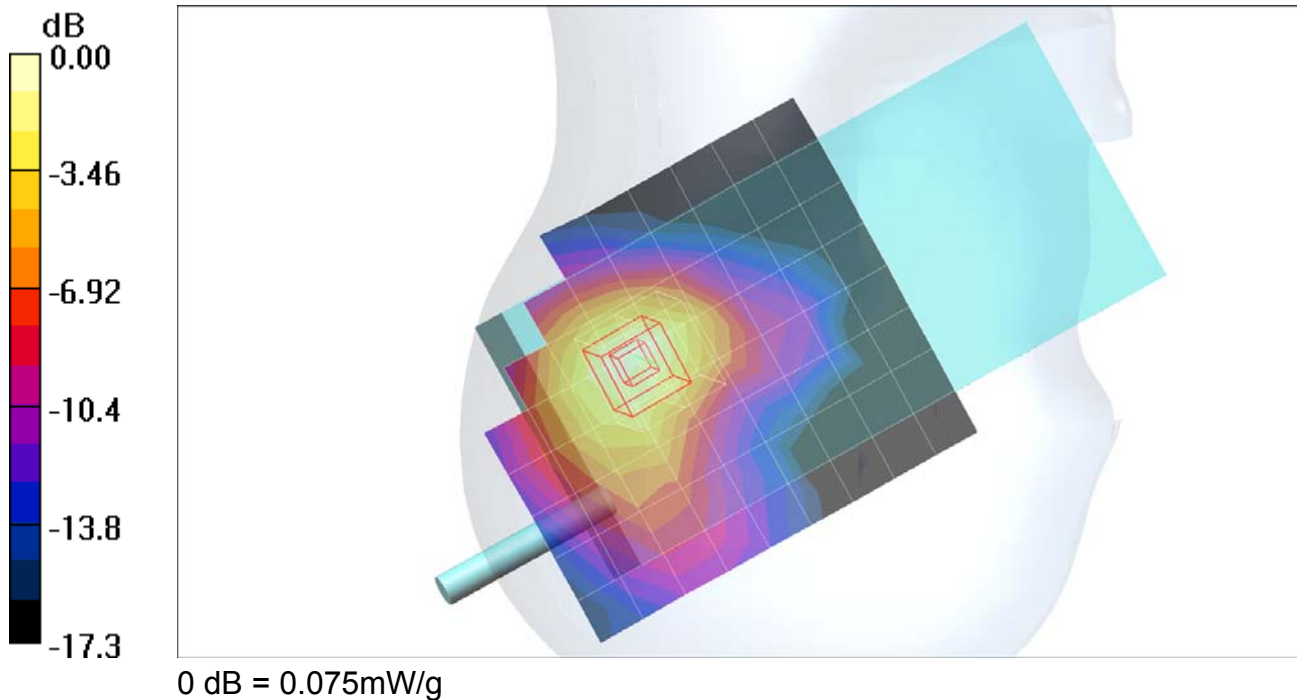
Reference Value = 2.46 V/m; Power Drift = -0.031 dB

Peak SAR (extrapolated) = 0.102 W/kg

SAR(1 g) = 0.057 mW/g; SAR(10 g) = 0.031 mW/g

[Info: Interpolated medium parameters used for SAR evaluation!](#)

Maximum value of SAR (measured) = 0.075 mW/g



Test Laboratory: Compliance Certification Services

2_Right hand side

DUT: Intermec Technologies Corporation; Type: 700C; Serial: 13790400010 (With 802.11bg, CDMA and Bluetooth)

Communication System: Bluetooth; Frequency: 2441 MHz; Duty Cycle: 1:1

Medium parameters used (interpolated): $f = 2441$ MHz; $\sigma = 1.87$ mho/m; $\epsilon_r = 39.5$; $\rho = 1000$ kg/m³

Phantom section: Right Section

Room Ambient Temperature: 23.5 deg. C; Liquid Temperature: 23.0 deg. C

DASY4 Configuration:

- Area Scan setting - Find Secondary Maximum Within: 2.0 dB and with a peak SAR value greater than 0.0012W/kg
- Probe: EX3DV3 - SN3531; ConvF(8.11, 8.11, 8.11); Calibrated: 7/18/2004
- Sensor-Surface: 2.5mm (Mechanical Surface Detection)
- Electronics: DAE3 Sn500; Calibrated: 2/7/2005
- Phantom: SAM 2; Type: SAM 2; Serial: 1050
- Measurement SW: DASY4, V4.5 Build 19; Postprocessing SW: SEMCAD, V1.8 Build 146

Tilt position_M-ch/Area Scan (9x11x1): Measurement grid: dx=15mm, dy=15mm

[Info: Interpolated medium parameters used for SAR evaluation!](#)

Maximum value of SAR (measured) = 0.01 mW/g

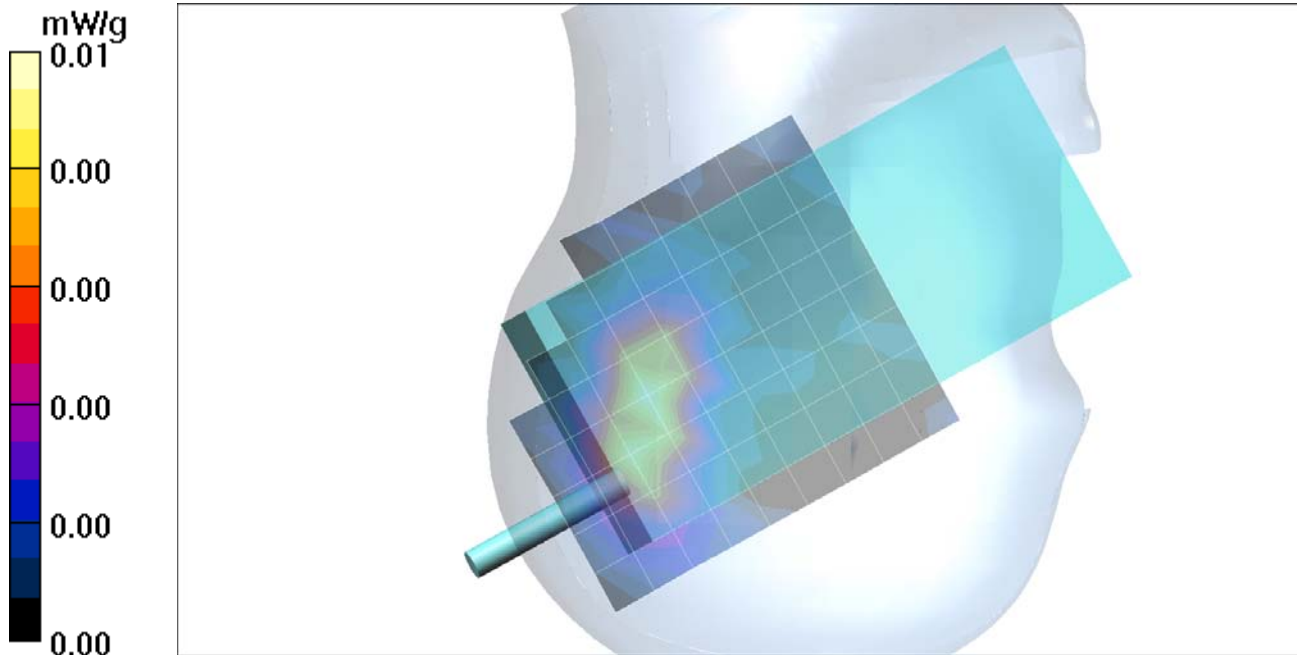
Tilt position_M-ch/Zoom Scan (5x5x7)/Cube 0: Measurement grid: dx=7.5mm, dy=7.5mm, dz=5mm

Reference Value = 0.677 V/m; Power Drift = -0.137 dB

Peak SAR (extrapolated) = 0.011 W/kg

SAR(1 g) = 0.00391 mW/g; SAR(10 g) = 0.00163 mW/g

[Info: Interpolated medium parameters used for SAR evaluation!](#)



Test Laboratory: Compliance Certification Services

1_Right hand side

DUT: Intermec Technologies Corporation; Type: 700C; Serial: 13790400010 (With 802.11bg, CDMA and Bluetooth)

Communication System: CDMA PCS band; Frequency: 1880 MHz; Duty Cycle: 1:1
Medium parameters used: $f = 1880$ MHz; $\sigma = 1.41$ mho/m; $\epsilon_r = 41.9$; $\rho = 1000$ kg/m³
Phantom section: Right Section

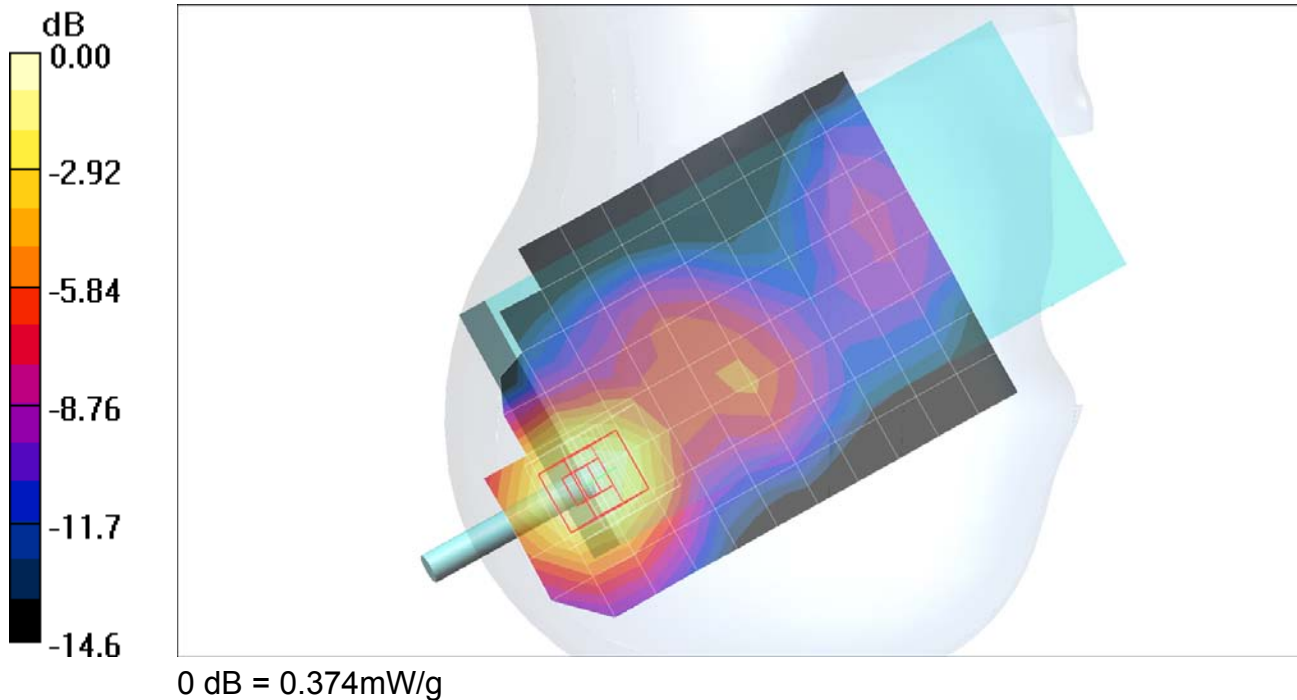
Room Ambient Temperature: 23.5 deg. C; Liquid Temperature: 23.0 deg. C

DASY4 Configuration:

- Area Scan setting - Find Secondary Maximum Within: 2.0 dB and with a peak SAR value greater than 0.0012W/kg
- Probe: EX3DV3 - SN3531; ConvF(8.98, 8.98, 8.98); Calibrated: 7/18/2004
- Sensor-Surface: 2.5mm (Mechanical Surface Detection)
- Electronics: DAE3 Sn500; Calibrated: 2/7/2005
- Phantom: SAM 2; Type: SAM 2; Serial: 1050
- Measurement SW: DASY4, V4.5 Build 19; Postprocessing SW: SEMCAD, V1.8 Build 146

Tilt position_M-ch/Area Scan (9x14x1): Measurement grid: dx=15mm, dy=15mm
Maximum value of SAR (measured) = 0.357 mW/g

Tilt position_M-ch/Zoom Scan (5x5x7)/Cube 0: Measurement grid: dx=7.5mm, dy=7.5mm, dz=5mm
Reference Value = 7.93 V/m; Power Drift = -0.033 dB
Peak SAR (extrapolated) = 0.456 W/kg
SAR(1 g) = 0.304 mW/g; SAR(10 g) = 0.189 mW/g
Maximum value of SAR (measured) = 0.374 mW/g



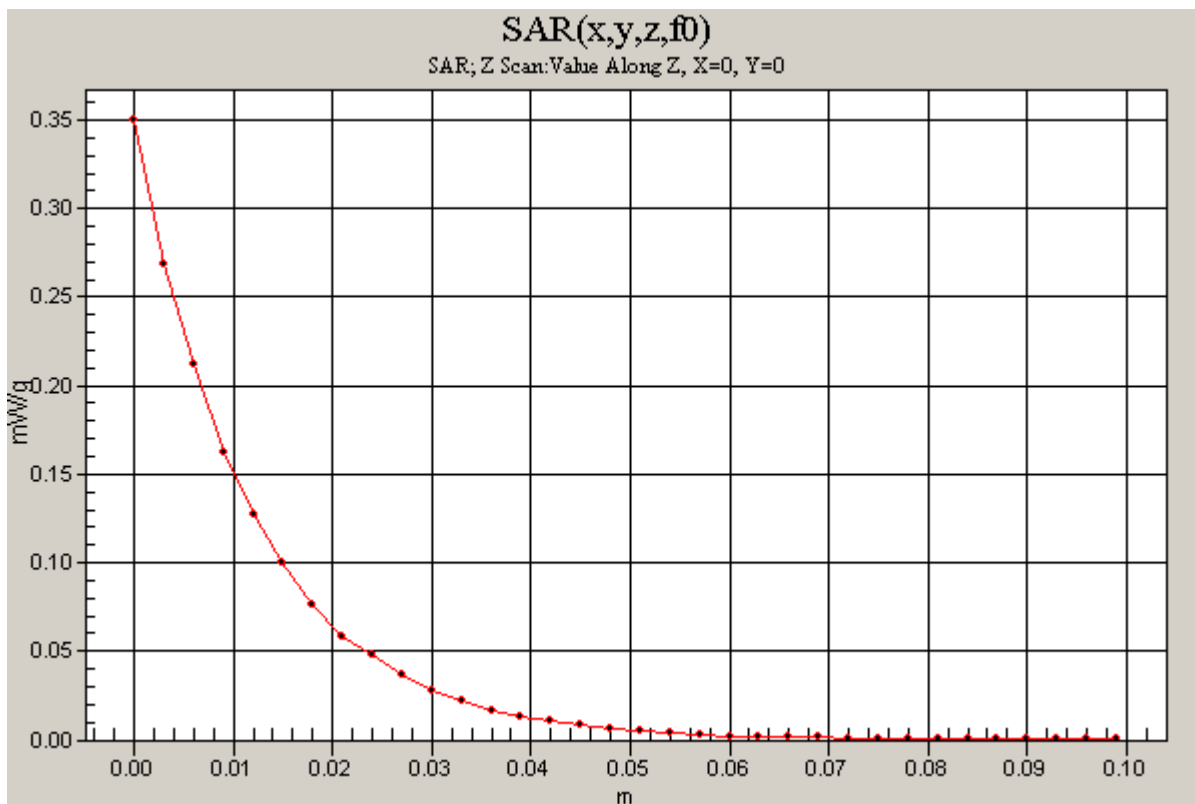
Test Laboratory: Compliance Certification Services

1_Right hand side

DUT: Intermec Technologies Corporation; Type: 700C; Serial: 13790400010 (With 802.11bg, CDMA and Bluetooth)

Communication System: CDMA PCS band; Frequency: 1880 MHz;Duty Cycle: 1:1

Tilt position_M-ch/Z Scan (1x1x34): Measurement grid: dx=20mm, dy=20mm, dz=3mm
Maximum value of SAR (measured) = 0.350 mW/g



Test Laboratory: Compliance Certification Services

3_Body Worn - With holster (815-047-002) left

DUT: Intermec Technologies Corporation; Type: 700C; Serial: 13790400010 (With 802.11bg, CDMA and Bluetooth)

Communication System: CDMA; Frequency: 824.7 MHz; Duty Cycle: 1:1

Medium parameters used (interpolated): $f = 824.7$ MHz; $\sigma = 0.989$ mho/m; $\epsilon_r = 56.8$; $\rho = 1000$ kg/m³

Phantom section: Flat Section

Room Ambient Temperature: 23.5 deg. C; Liquid Temperature: 23.0 deg. C

DASY4 Configuration:

- Area Scan setting - Find Secondary Maximum Within: 2.0 dB and with a peak SAR value greater than 0.0012W/kg
- Probe: EX3DV3 - SN3531; ConvF(10.5, 10.5, 10.5); Calibrated: 7/18/2004
- Sensor-Surface: 2.5mm (Mechanical Surface Detection)
- Electronics: DAE3 Sn500; Calibrated: 2/7/2005
- Phantom: SAM 1; Type: SAM 1; Serial: 1185
- Measurement SW: DASY4, V4.5 Build 19; Postprocessing SW: SEMCAD, V1.8 Build 146

L-ch/Area Scan (9x17x1): Measurement grid: dx=15mm, dy=15mm

[Info: Interpolated medium parameters used for SAR evaluation!](#)

Maximum value of SAR (measured) = 0.278 mW/g

L-ch/Zoom Scan (5x5x7)/Cube 0: Measurement grid: dx=7.5mm, dy=7.5mm, dz=5mm

Reference Value = 14.1 V/m; Power Drift = -0.216 dB

Peak SAR (extrapolated) = 0.370 W/kg

SAR(1 g) = 0.263 mW/g; SAR(10 g) = 0.176 mW/g

[Info: Interpolated medium parameters used for SAR evaluation!](#)

Maximum value of SAR (measured) = 0.311 mW/g

L-ch/Zoom Scan (5x5x7)/Cube 1: Measurement grid: dx=7.5mm, dy=7.5mm, dz=5mm

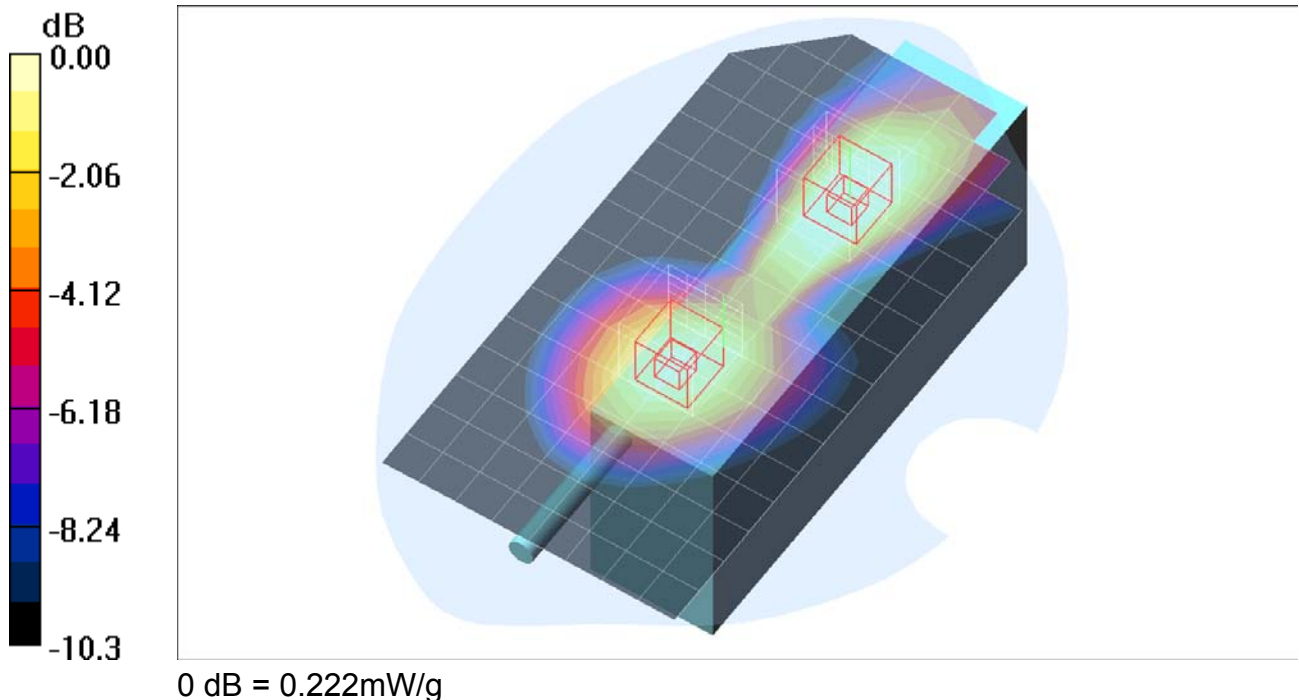
Reference Value = 14.1 V/m; Power Drift = -0.216 dB

Peak SAR (extrapolated) = 0.276 W/kg

SAR(1 g) = 0.185 mW/g; SAR(10 g) = 0.131 mW/g

[Info: Interpolated medium parameters used for SAR evaluation!](#)

Maximum value of SAR (measured) = 0.222 mW/g



Test Laboratory: Compliance Certification Services

3_Body Worn - With holster (815-047-002) left

DUT: Intermec Technologies Corporation; Type: 700C; Serial: 13790400010 (With 802.11bg, CDMA and Bluetooth)

Communication System: 802.11bg; Frequency: 2437 MHz; Duty Cycle: 1:1

Medium parameters used (interpolated): $f = 2437$ MHz; $\sigma = 2$ mho/m; $\epsilon_r = 52.6$; $\rho = 1000$ kg/m³

Phantom section: Flat Section

Room Ambient Temperature: 23.5 deg. C; Liquid Temperature: 23.0 deg. C

DASY4 Configuration:

- Area Scan setting - Find Secondary Maximum Within: 2.0 dB and with a peak SAR value greater than 0.0012W/kg
- Probe: EX3DV3 - SN3531; ConvF(8.32, 8.32, 8.32); Calibrated: 7/18/2004
- Sensor-Surface: 2.5mm (Mechanical Surface Detection)
- Electronics: DAE3 Sn500; Calibrated: 2/7/2005
- Phantom: SAM 1; Type: SAM 1; Serial: 1185
- Measurement SW: DASY4, V4.5 Build 19; Postprocessing SW: SEMCAD, V1.8 Build 146

L-ch/Area Scan (9x17x1): Measurement grid: dx=15mm, dy=15mm

[Info: Interpolated medium parameters used for SAR evaluation!](#)

Maximum value of SAR (measured) = 0.015 mW/g

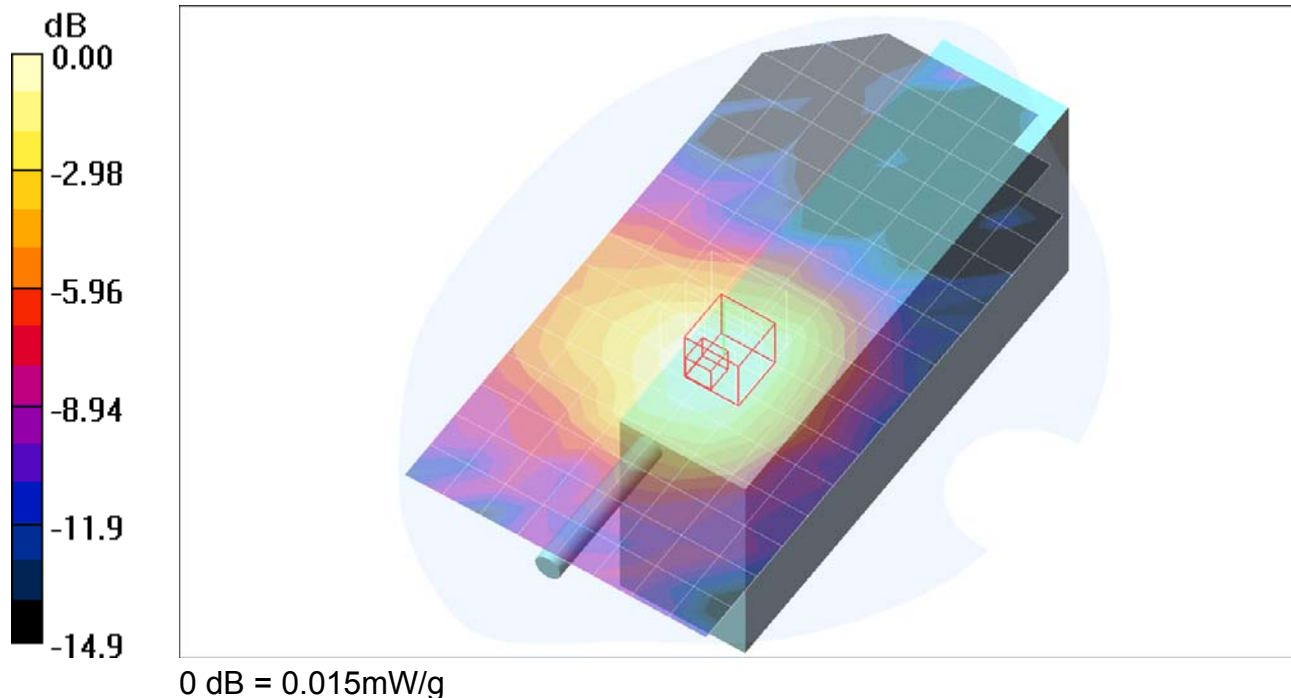
L-ch/Zoom Scan (5x5x7)/Cube 0: Measurement grid: dx=7.5mm, dy=7.5mm, dz=5mm

Reference Value = 2.69 V/m; Power Drift = -0.089 dB

Peak SAR (extrapolated) = 0.024 W/kg

SAR(1 g) = 0.012 mW/g; SAR(10 g) = 0.00632 mW/g

[Info: Interpolated medium parameters used for SAR evaluation!](#)



Test Laboratory: Compliance Certification Services

3_Body Worn - With holster (815-047-002) left

DUT: Intermec Technologies Corporation; Type: 700C; Serial: 13790400010 (With 802.11bg, CDMA and Bluetooth)

Communication System: Bluetooth; Frequency: 2441 MHz; Duty Cycle: 1:1

Medium parameters used (interpolated): $f = 2441$ MHz; $\sigma = 2.01$ mho/m; $\epsilon_r = 52.6$; $\rho = 1000$ kg/m³

Phantom section: Flat Section

Room Ambient Temperature: 23.5 deg. C; Liquid Temperature: 23.0 deg. C

DASY4 Configuration:

- Area Scan setting - Find Secondary Maximum Within: 2.0 dB and with a peak SAR value greater than 0.0012W/kg
- Probe: EX3DV3 - SN3531; ConvF(8.32, 8.32, 8.32); Calibrated: 7/18/2004
- Sensor-Surface: 2.5mm (Mechanical Surface Detection)
- Electronics: DAE3 Sn500; Calibrated: 2/7/2005
- Phantom: SAM 1; Type: SAM 1; Serial: 1185
- Measurement SW: DASY4, V4.5 Build 19; Postprocessing SW: SEMCAD, V1.8 Build 146

L-ch/Area Scan (10x13x1): Measurement grid: dx=15mm, dy=15mm

[Info: Interpolated medium parameters used for SAR evaluation!](#)

Maximum value of SAR (measured) = 0.00 mW/g

L-ch/Zoom Scan (5x5x7)/Cube 0: Measurement grid: dx=7.5mm, dy=7.5mm, dz=5mm

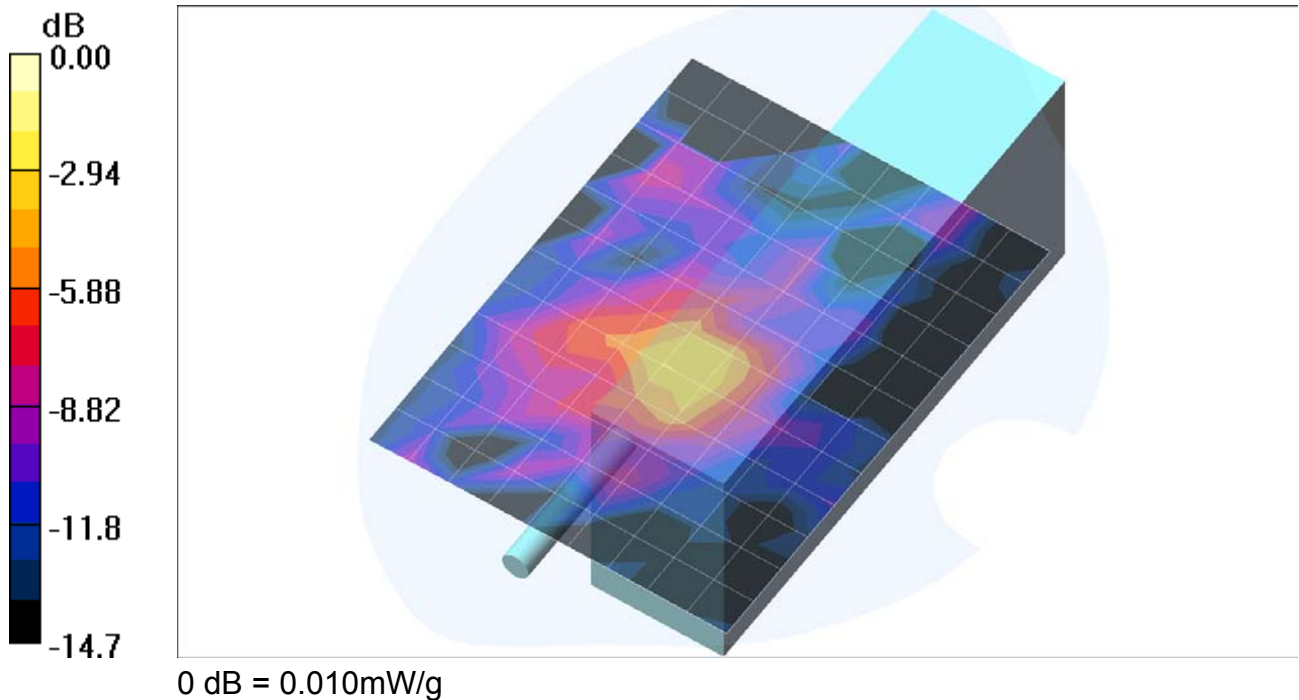
Reference Value = 1.27 V/m; Power Drift = -0.139 dB

Peak SAR (extrapolated) = 0.01 W/kg

SAR(1 g) = 0.00367 mW/g; SAR(10 g) = 0.00141 mW/g

[Info: Interpolated medium parameters used for SAR evaluation!](#)

Maximum value of SAR (measured) = 0.01 mW/g



Test Laboratory: Compliance Certification Services

3_Body Worn - With holster (815-047-002) left

DUT: Intermec Technologies Corporation; Type: 700C; Serial: 13790400010 (With 802.11bg, CDMA and Bluetooth)

Communication System: CDMA PCS band; Frequency: 1880 MHz; Duty Cycle: 1:1
Medium parameters used: $f = 1880$ MHz; $\sigma = 1.56$ mho/m; $\epsilon_r = 53.4$; $\rho = 1000$ kg/m³
Phantom section: Flat Section

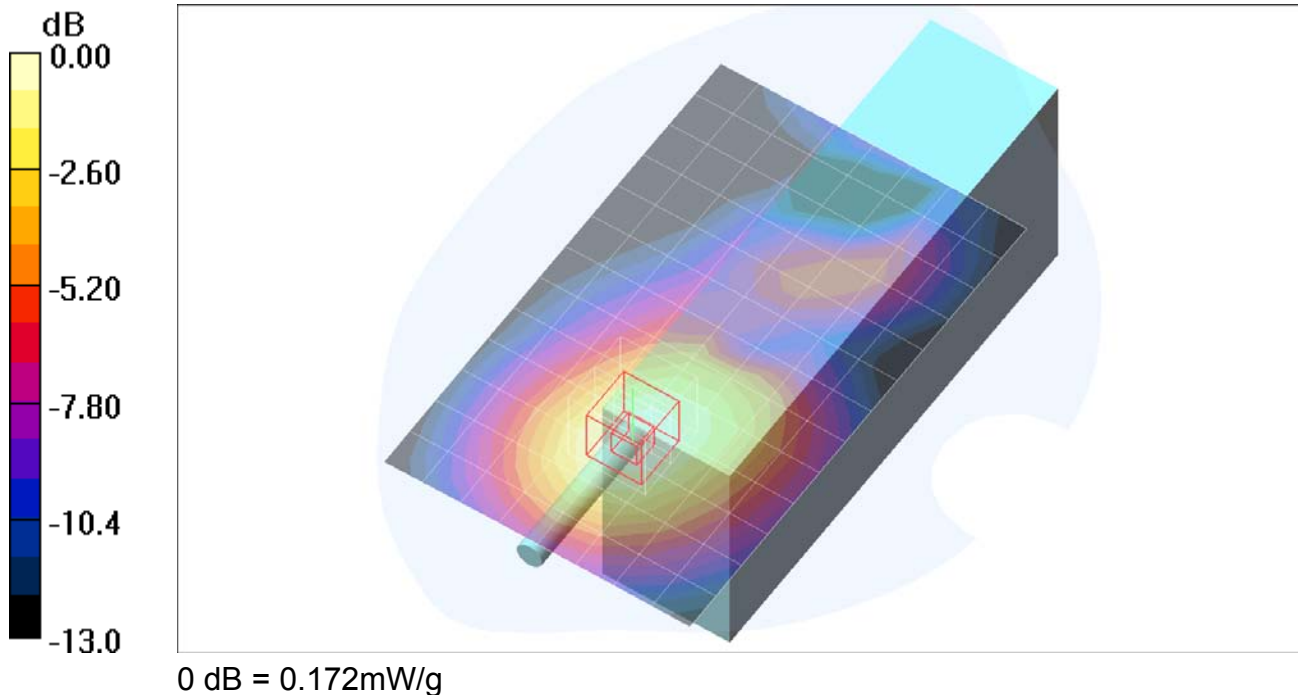
Room Ambient Temperature: 23.5 deg. C; Liquid Temperature: 23.0 deg. C

DASY4 Configuration:

- Area Scan setting - Find Secondary Maximum Within: 2.0 dB and with a peak SAR value greater than 0.0012W/kg
- Probe: EX3DV3 - SN3531; ConvF(8.1, 8.1, 8.1); Calibrated: 7/18/2004
- Sensor-Surface: 2.5mm (Mechanical Surface Detection)
- Electronics: DAE3 Sn500; Calibrated: 2/7/2005
- Phantom: SAM 1; Type: SAM 1; Serial: 1185
- Measurement SW: DASY4, V4.5 Build 19; Postprocessing SW: SEMCAD, V1.8 Build 146

M-ch/Area Scan (9x14x1): Measurement grid: dx=15mm, dy=15mm
Maximum value of SAR (measured) = 0.168 mW/g

M-ch/Zoom Scan (5x5x7)/Cube 0: Measurement grid: dx=7.5mm, dy=7.5mm, dz=5mm
Reference Value = 4.16 V/m; Power Drift = -0.080 dB
Peak SAR (extrapolated) = 0.205 W/kg
SAR(1 g) = 0.141 mW/g; SAR(10 g) = 0.091 mW/g
Maximum value of SAR (measured) = 0.172 mW/g



Test Laboratory: Compliance Certification Services

4_Body Worn - With holster (815-047-001)

DUT: Intermec Technologies Corporation; Type: 700C; Serial: 13790400010 (With 802.11bg, CDMA and Bluetooth)

Communication System: CDMA; Frequency: 824.7 MHz; Duty Cycle: 1:1

Medium parameters used (interpolated): $f = 824.7$ MHz; $\sigma = 0.989$ mho/m; $\epsilon_r = 56.8$; $\rho = 1000$ kg/m³

Phantom section: Flat Section

Room Ambient Temperature: 23.5 deg. C; Liquid Temperature: 23.0 deg. C

DASY4 Configuration:

- Area Scan setting - Find Secondary Maximum Within: 2.0 dB and with a peak SAR value greater than 0.0012W/kg
- Probe: EX3DV3 - SN3531; ConvF(10.5, 10.5, 10.5); Calibrated: 7/18/2004
- Sensor-Surface: 2.5mm (Mechanical Surface Detection)
- Electronics: DAE3 Sn500; Calibrated: 2/7/2005
- Phantom: SAM 1; Type: SAM 1; Serial: 1185
- Measurement SW: DASY4, V4.5 Build 19; Postprocessing SW: SEMCAD, V1.8 Build 146

L-ch/Area Scan (9x17x1): Measurement grid: dx=15mm, dy=15mm

[Info: Interpolated medium parameters used for SAR evaluation!](#)

Maximum value of SAR (measured) = 0.414 mW/g

L-ch/Zoom Scan (5x5x7)/Cube 0: Measurement grid: dx=7.5mm, dy=7.5mm, dz=5mm

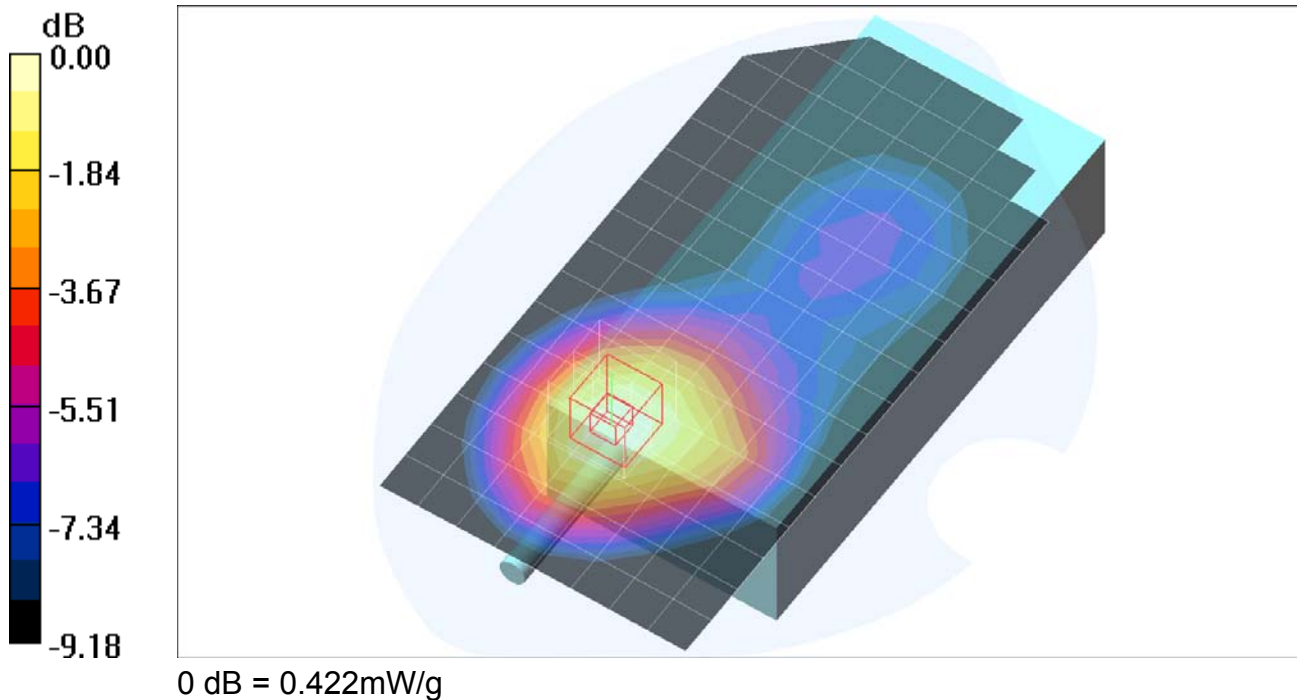
Reference Value = 11.0 V/m; Power Drift = -0.057 dB

Peak SAR (extrapolated) = 0.493 W/kg

SAR(1 g) = 0.360 mW/g; SAR(10 g) = 0.253 mW/g

[Info: Interpolated medium parameters used for SAR evaluation!](#)

Maximum value of SAR (measured) = 0.422 mW/g



Test Laboratory: Compliance Certification Services

4_Body Worn - With holster (815-047-001)

DUT: Intermec Technologies Corporation; Type: 700C; Serial: 13790400010 (With 802.11bg, CDMA and Bluetooth)

Communication System: 802.11bg; Frequency: 2437 MHz; Duty Cycle: 1:1

Medium parameters used (interpolated): $f = 2437$ MHz; $\sigma = 1.99$ mho/m; $\epsilon_r = 52.1$; $\rho = 1000$ kg/m³

Phantom section: Flat Section

Room Ambient Temperature: 23.5 deg. C; Liquid Temperature: 23.0 deg. C

DASY4 Configuration:

- Area Scan setting - Find Secondary Maximum Within: 2.0 dB and with a peak SAR value greater than 0.0012W/kg
- Probe: EX3DV3 - SN3531; ConvF(8.32, 8.32, 8.32); Calibrated: 7/18/2004
- Sensor-Surface: 2.5mm (Mechanical Surface Detection)
- Electronics: DAE3 Sn500; Calibrated: 2/7/2005
- Phantom: SAM 1; Type: SAM 1; Serial: 1185
- Measurement SW: DASY4, V4.5 Build 19; Postprocessing SW: SEMCAD, V1.8 Build 146

M-ch/Area Scan (9x14x1): Measurement grid: dx=15mm, dy=15mm

[Info: Interpolated medium parameters used for SAR evaluation!](#)

Maximum value of SAR (measured) = 0.303 mW/g

M-ch/Zoom Scan (5x5x7)/Cube 0: Measurement grid: dx=7.5mm, dy=7.5mm, dz=5mm

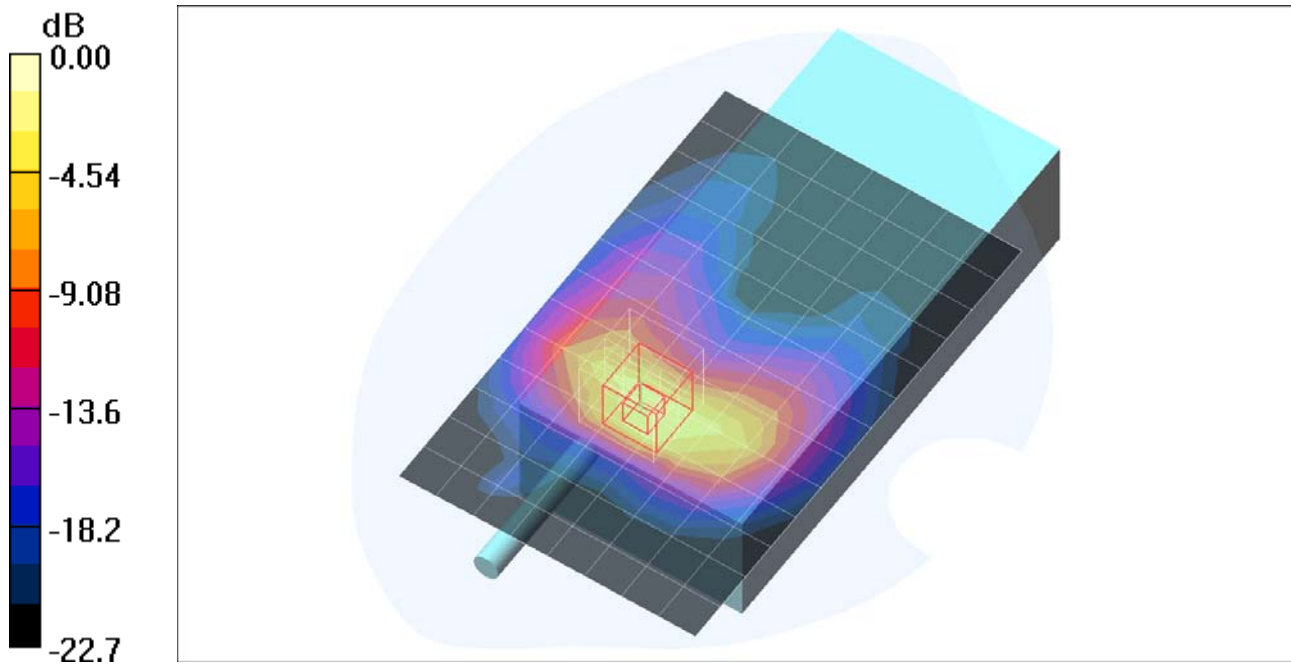
Reference Value = 3.72 V/m; Power Drift = -0.254 dB

Peak SAR (extrapolated) = 0.907 W/kg

SAR(1 g) = 0.387 mW/g; SAR(10 g) = 0.163 mW/g

[Info: Interpolated medium parameters used for SAR evaluation!](#)

Maximum value of SAR (measured) = 0.617 mW/g



0 dB = 0.617mW/g

Test Laboratory: Compliance Certification Services

4_Body Worn - With holster (815-047-001)

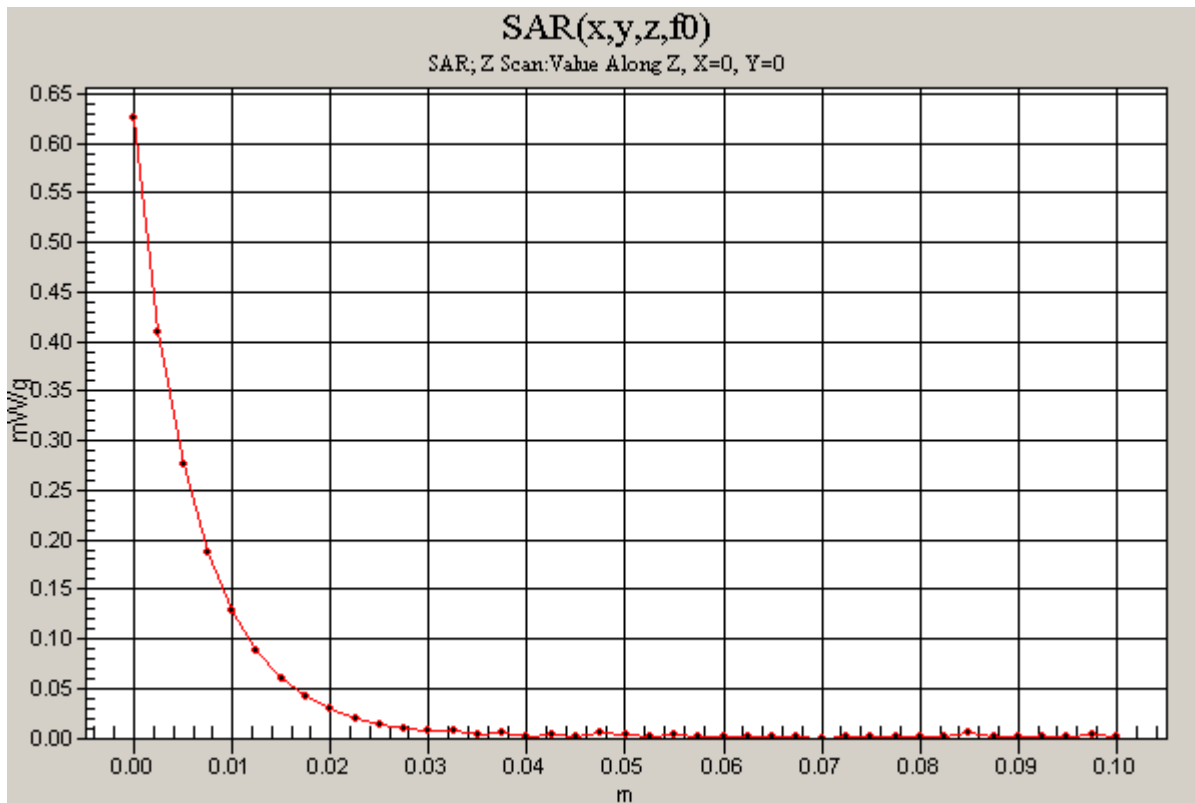
DUT: Intermec Technologies Corporation; Type: 700C; Serial: 13790400010 (With 802.11bg, CDMA and Bluetooth)

Communication System: 802.11bg; Frequency: 2437 MHz;Duty Cycle: 1:1

M-ch/Z Scan (1x1x41): Measurement grid: dx=20mm, dy=20mm, dz=2.5mm

[Info: Interpolated medium parameters used for SAR evaluation!](#)

Maximum value of SAR (measured) = 0.626 mW/g



Test Laboratory: Compliance Certification Services

4_Body Worn - With holster (815-047-001)

DUT: Intermec Technologies Corporation; Type: 700C; Serial: 13790400010 (With 802.11bg, CDMA and Bluetooth)

Communication System: Bluetooth; Frequency: 2441 MHz; Duty Cycle: 1:1

Medium parameters used (interpolated): $f = 2441$ MHz; $\sigma = 2$ mho/m; $\epsilon_r = 52.1$; $\rho = 1000$ kg/m³

Phantom section: Flat Section

Room Ambient Temperature: 23.5 deg. C; Liquid Temperature: 23.0 deg. C

DASY4 Configuration:

- Area Scan setting - Find Secondary Maximum Within: 2.0 dB and with a peak SAR value greater than 0.0012W/kg
- Probe: EX3DV3 - SN3531; ConvF(8.32, 8.32, 8.32); Calibrated: 7/18/2004
- Sensor-Surface: 2.5mm (Mechanical Surface Detection)
- Electronics: DAE3 Sn500; Calibrated: 2/7/2005
- Phantom: SAM 1; Type: SAM 1; Serial: 1185
- Measurement SW: DASY4, V4.5 Build 19; Postprocessing SW: SEMCAD, V1.8 Build 146

M-ch/Area Scan (10x12x1): Measurement grid: dx=15mm, dy=15mm

[Info: Interpolated medium parameters used for SAR evaluation!](#)

Maximum value of SAR (measured) = 0.01 mW/g

M-ch/Zoom Scan (5x5x7)/Cube 0: Measurement grid: dx=7.5mm, dy=7.5mm, dz=5mm

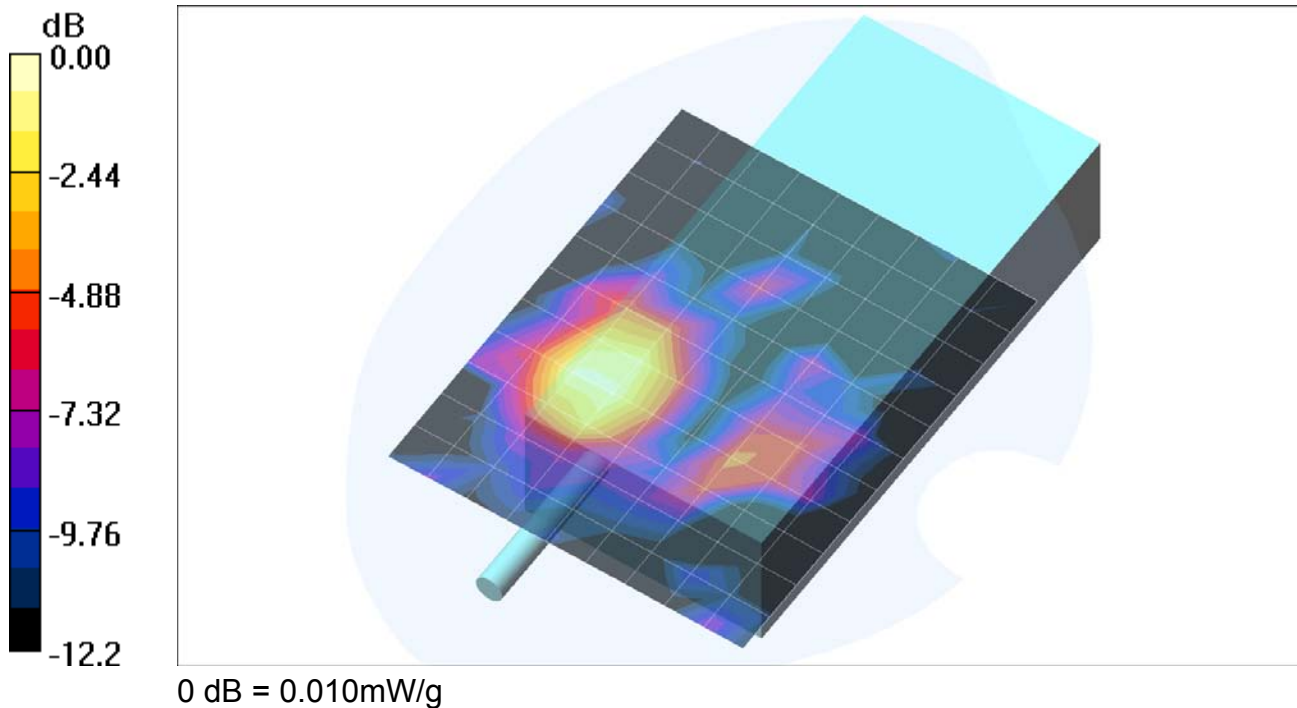
Reference Value = 0.570 V/m; Power Drift = -0.201 dB

Peak SAR (extrapolated) = 0.029 W/kg

SAR(1 g) = 0.00651 mW/g; SAR(10 g) = 0.00248 mW/g

[Info: Interpolated medium parameters used for SAR evaluation!](#)

Maximum value of SAR (measured) = 0.010 mW/g



Test Laboratory: Compliance Certification Services

4_Body Worn - With holster (815-047-001)

DUT: Intermec Technologies Corporation; Type: 700C; Serial: 13790400010 (With 802.11bg, CDMA and Bluetooth)

Communication System: CDMA PCS band; Frequency: 1880 MHz; Duty Cycle: 1:1
Medium parameters used: $f = 1880$ MHz; $\sigma = 1.56$ mho/m; $\epsilon_r = 53.4$; $\rho = 1000$ kg/m³
Phantom section: Flat Section

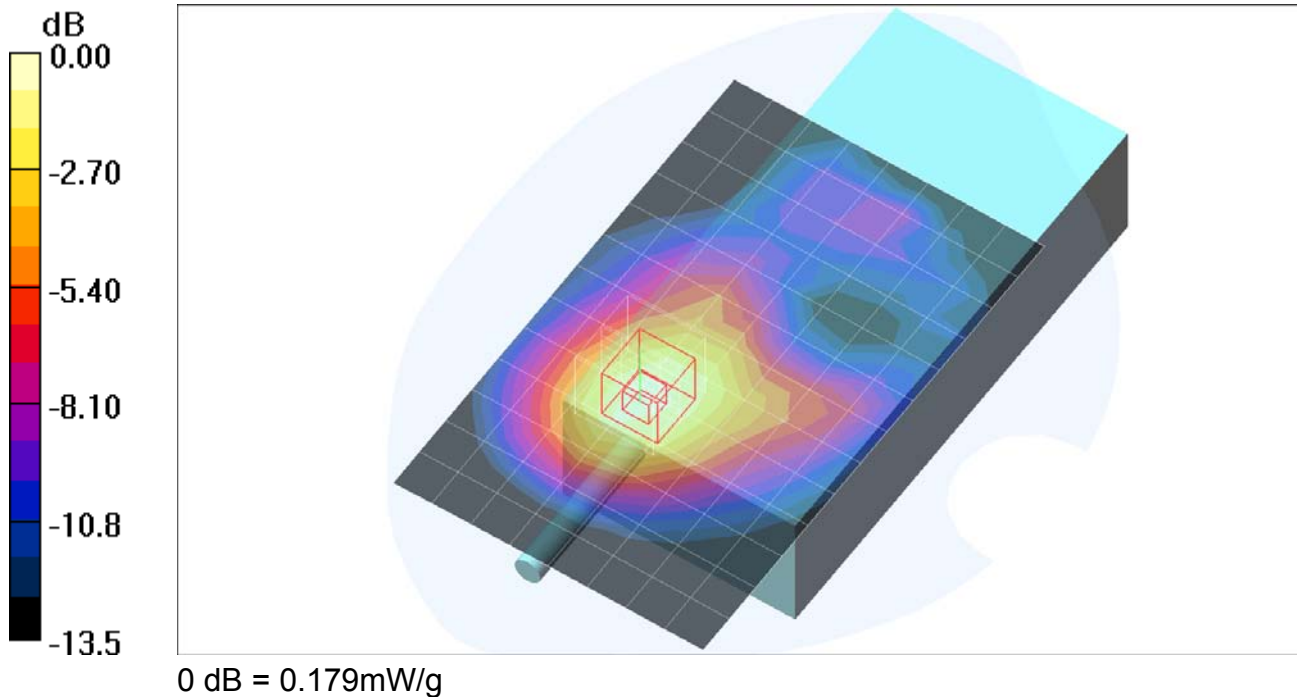
Room Ambient Temperature: 23.5 deg. C; Liquid Temperature: 23.0 deg. C

DASY4 Configuration:

- Area Scan setting - Find Secondary Maximum Within: 2.0 dB and with a peak SAR value greater than 0.0012W/kg
- Probe: EX3DV3 - SN3531; ConvF(8.1, 8.1, 8.1); Calibrated: 7/18/2004
- Sensor-Surface: 2.5mm (Mechanical Surface Detection)
- Electronics: DAE3 Sn500; Calibrated: 2/7/2005
- Phantom: SAM 1; Type: SAM 1; Serial: 1185
- Measurement SW: DASY4, V4.5 Build 19; Postprocessing SW: SEMCAD, V1.8 Build 146

M-ch/Area Scan (9x14x1): Measurement grid: dx=15mm, dy=15mm
Maximum value of SAR (measured) = 0.169 mW/g

M-ch/Zoom Scan (5x5x7)/Cube 0: Measurement grid: dx=7.5mm, dy=7.5mm, dz=5mm
Reference Value = 5.34 V/m; Power Drift = -0.194 dB
Peak SAR (extrapolated) = 0.214 W/kg
SAR(1 g) = 0.147 mW/g; SAR(10 g) = 0.093 mW/g
Maximum value of SAR (measured) = 0.179 mW/g



Test Laboratory: Compliance Certification Services

5_Body Worn - Belt-clip (805-612-001)

DUT: Intermec Technologies Corporation; Type: 700C; Serial: 13790400010 (With 802.11bg, CDMA and Bluetooth)

Communication System: CDMA; Frequency: 835.89 MHz; Duty Cycle: 1:1

Medium parameters used (interpolated): $f = 835.89$ MHz; $\sigma = 1$ mho/m; $\epsilon_r = 56.7$; $\rho = 1000$ kg/m³

Phantom section: Flat Section

Room Ambient Temperature: 24.5 deg. C; Liquid Temperature: 24.5 deg. C

DASY4 Configuration:

- Area Scan setting - Find Secondary Maximum Within: 2.0 dB and with a peak SAR value greater than 0.0012W/kg
- Probe: EX3DV3 - SN3531; ConvF(10.5, 10.5, 10.5); Calibrated: 7/18/2004
- Sensor-Surface: 2.5mm (Mechanical Surface Detection)
- Electronics: DAE3 Sn500; Calibrated: 2/7/2005
- Phantom: SAM 1; Type: SAM 1; Serial: 1185
- Measurement SW: DASY4, V4.5 Build 19; Postprocessing SW: SEMCAD, V1.8 Build 146

M-ch/Area Scan (9x15x1): Measurement grid: dx=15mm, dy=15mm

[Info: Interpolated medium parameters used for SAR evaluation!](#)

Maximum value of SAR (measured) = 0.089 mW/g

M-ch/Zoom Scan (5x5x7)/Cube 0: Measurement grid: dx=7.5mm, dy=7.5mm, dz=5mm

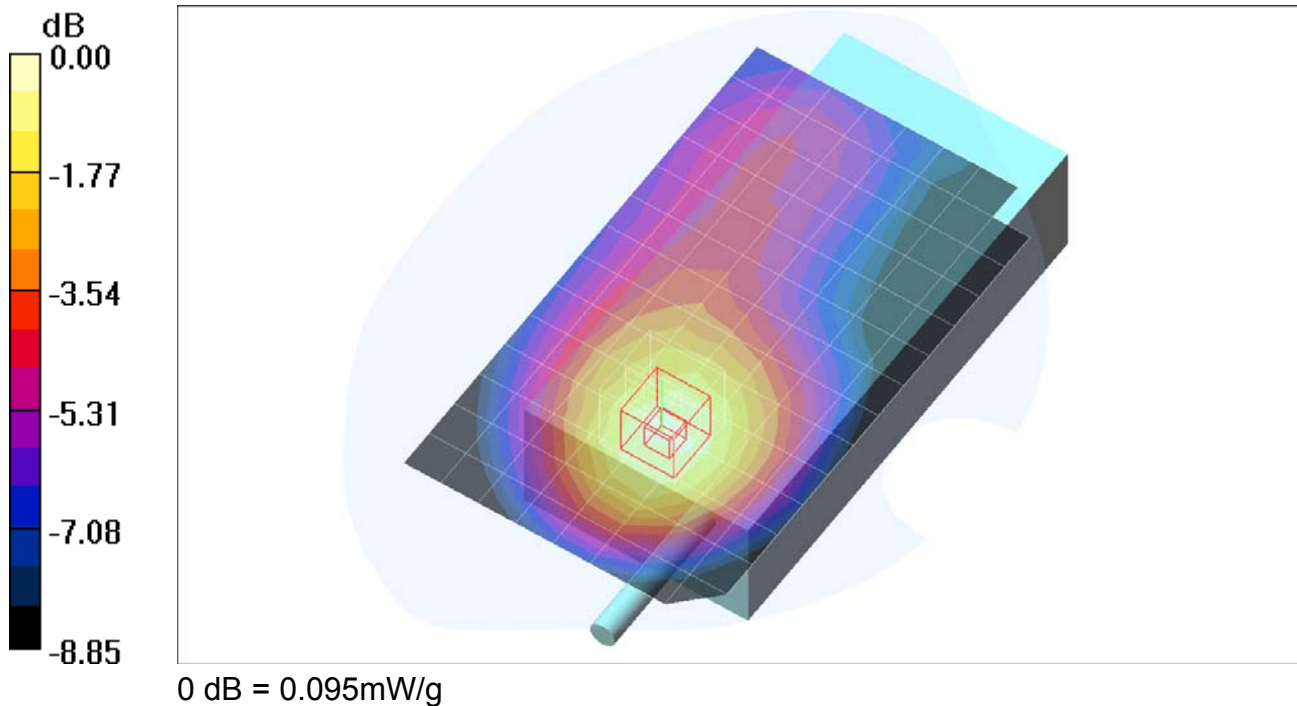
Reference Value = 7.12 V/m; Power Drift = -0.073 dB

Peak SAR (extrapolated) = 0.112 W/kg

SAR(1 g) = 0.080 mW/g; SAR(10 g) = 0.057 mW/g

[Info: Interpolated medium parameters used for SAR evaluation!](#)

Maximum value of SAR (measured) = 0.095 mW/g



Test Laboratory: Compliance Certification Services

5_Body Worn - Belt-clip (805-612-001)

DUT: Intermec Technologies Corporation; Type: 700C; Serial: 13790400010 (With 802.11bg, CDMA and Bluetooth)

Communication System: 802.11bg; Frequency: 2437 MHz; Duty Cycle: 1:1

Medium parameters used (interpolated): $f = 2437$ MHz; $\sigma = 1.99$ mho/m; $\epsilon_r = 52.1$; $\rho = 1000$ kg/m³

Phantom section: Flat Section

Room Ambient Temperature: 23.5 deg. C; Liquid Temperature: 23.0 deg. C

DASY4 Configuration:

- Area Scan setting - Find Secondary Maximum Within: 2.0 dB and with a peak SAR value greater than 0.0012W/kg
- Probe: EX3DV3 - SN3531; ConvF(8.32, 8.32, 8.32); Calibrated: 7/18/2004
- Sensor-Surface: 2.5mm (Mechanical Surface Detection)
- Electronics: DAE3 Sn500; Calibrated: 2/7/2005
- Phantom: SAM 1; Type: SAM 1; Serial: 1185
- Measurement SW: DASY4, V4.5 Build 19; Postprocessing SW: SEMCAD, V1.8 Build 146

M-ch/Area Scan (9x14x1): Measurement grid: dx=15mm, dy=15mm

[Info: Interpolated medium parameters used for SAR evaluation!](#)

Maximum value of SAR (measured) = 0.080 mW/g

M-ch/Zoom Scan (5x5x7)/Cube 0: Measurement grid: dx=7.5mm, dy=7.5mm, dz=5mm

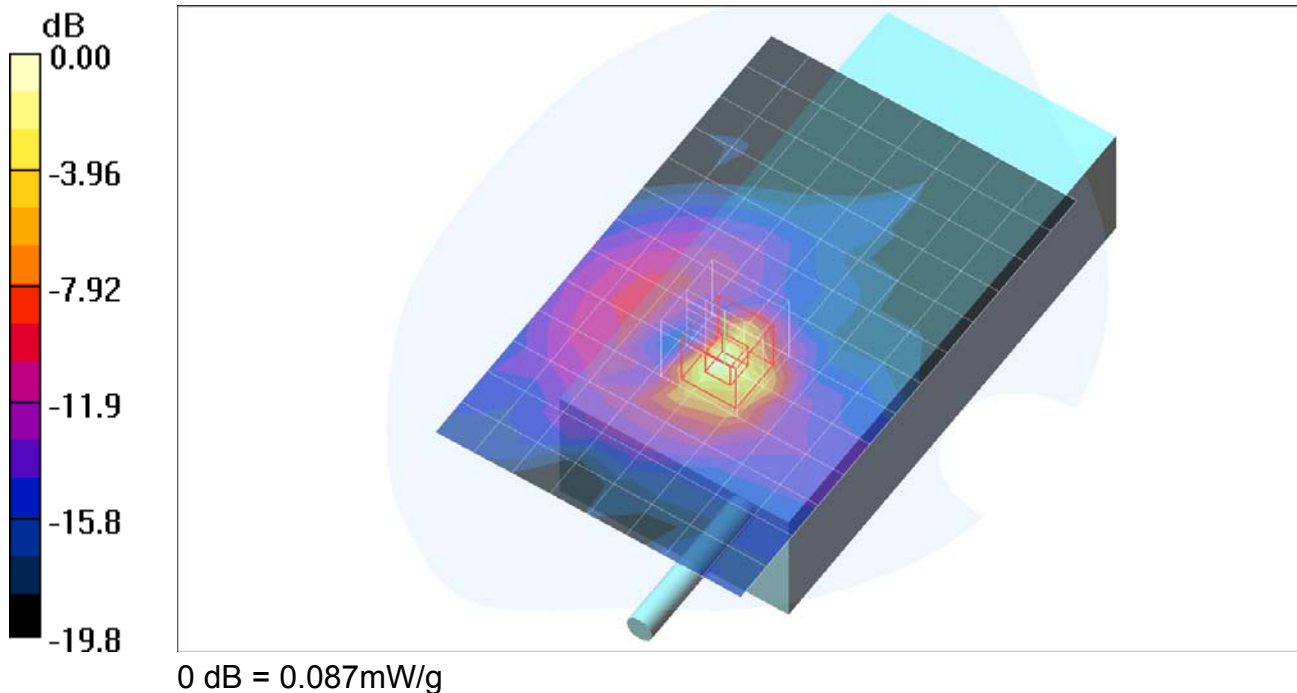
Reference Value = 1.69 V/m; Power Drift = -0.109 dB

Peak SAR (extrapolated) = 0.109 W/kg

SAR(1 g) = 0.063 mW/g; SAR(10 g) = 0.027 mW/g

[Info: Interpolated medium parameters used for SAR evaluation!](#)

Maximum value of SAR (measured) = 0.087 mW/g



Test Laboratory: Compliance Certification Services

5_Body Worn - Belt-clip (805-612-001)

DUT: Intermec Technologies Corporation; Type: 700C; Serial: 13790400010 (With 802.11bg, CDMA and Bluetooth)

Communication System: Bluetooth; Frequency: 2441 MHz; Duty Cycle: 1:1

Medium parameters used (interpolated): $f = 2441$ MHz; $\sigma = 2$ mho/m; $\epsilon_r = 52.1$; $\rho = 1000$ kg/m³

Phantom section: Flat Section

Room Ambient Temperature: 23.5 deg. C; Liquid Temperature: 23.0 deg. C

DASY4 Configuration:

- Area Scan setting - Find Secondary Maximum Within: 2.0 dB and with a peak SAR value greater than 0.0012W/kg
- Probe: EX3DV3 - SN3531; ConvF(8.32, 8.32, 8.32); Calibrated: 7/18/2004
- Sensor-Surface: 2.5mm (Mechanical Surface Detection)
- Electronics: DAE3 Sn500; Calibrated: 2/7/2005
- Phantom: SAM 1; Type: SAM 1; Serial: 1185
- Measurement SW: DASY4, V4.5 Build 19; Postprocessing SW: SEMCAD, V1.8 Build 146

M-ch/Area Scan (10x13x1): Measurement grid: dx=15mm, dy=15mm

[Info: Interpolated medium parameters used for SAR evaluation!](#)

Maximum value of SAR (measured) = 0.012 mW/g

M-ch/Zoom Scan (5x5x7)/Cube 0: Measurement grid: dx=7.5mm, dy=7.5mm, dz=5mm

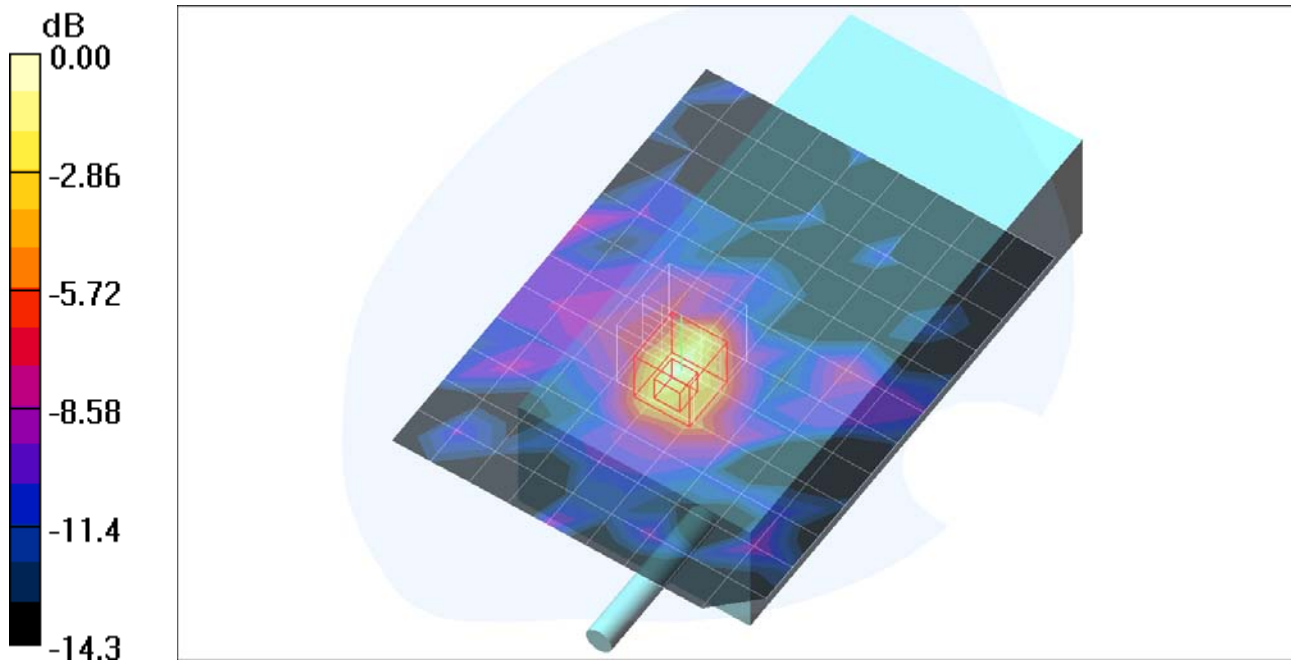
Reference Value = 1.12 V/m; Power Drift = -0.277 dB

Peak SAR (extrapolated) = 0.030 W/kg

SAR(1 g) = 0.00859 mW/g; SAR(10 g) = 0.00387 mW/g

[Info: Interpolated medium parameters used for SAR evaluation!](#)

Maximum value of SAR (measured) = 0.013 mW/g



0 dB = 0.013mW/g

Test Laboratory: Compliance Certification Services

5_Body Worn - Belt-clip (805-612-001)

DUT: Intermec Technologies Corporation; Type: 700C; Serial: 13790400010 (With 802.11bg, CDMA and Bluetooth)

Communication System: CDMA PCS band; Frequency: 1880 MHz; Duty Cycle: 1:1
Medium parameters used: $f = 1880$ MHz; $\sigma = 1.56$ mho/m; $\epsilon_r = 53.4$; $\rho = 1000$ kg/m³
Phantom section: Flat Section

Room Ambient Temperature: 23.5 deg. C; Liquid Temperature: 23.0 deg. C

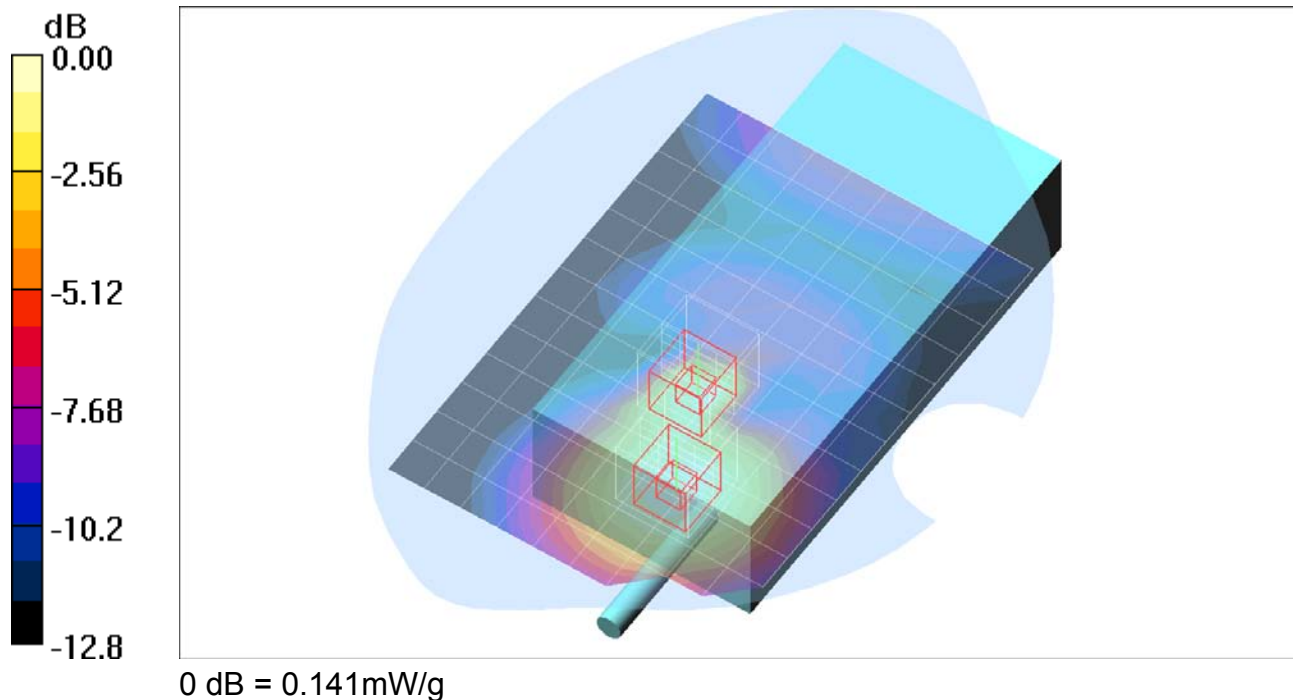
DASY4 Configuration:

- Area Scan setting - Find Secondary Maximum Within: 2.0 dB and with a peak SAR value greater than 0.0012W/kg
- Probe: EX3DV3 - SN3531; ConvF(8.1, 8.1, 8.1); Calibrated: 7/18/2004
- Sensor-Surface: 2.5mm (Mechanical Surface Detection)
- Electronics: DAE3 Sn500; Calibrated: 2/7/2005
- Phantom: SAM 1; Type: SAM 1; Serial: 1185
- Measurement SW: DASY4, V4.5 Build 19; Postprocessing SW: SEMCAD, V1.8 Build 146

M-ch/Area Scan (10x14x1): Measurement grid: dx=15mm, dy=15mm
Maximum value of SAR (measured) = 0.142 mW/g

M-ch/Zoom Scan (5x5x7)/Cube 0: Measurement grid: dx=7.5mm, dy=7.5mm, dz=5mm
Reference Value = 3.84 V/m; Power Drift = -0.113 dB
Peak SAR (extrapolated) = 0.265 W/kg
SAR(1 g) = 0.160 mW/g; SAR(10 g) = 0.077 mW/g
Maximum value of SAR (measured) = 0.213 mW/g

M-ch/Zoom Scan (5x5x7)/Cube 1: Measurement grid: dx=7.5mm, dy=7.5mm, dz=5mm
Reference Value = 3.84 V/m; Power Drift = -0.113 dB
Peak SAR (extrapolated) = 0.168 W/kg
SAR(1 g) = 0.118 mW/g; SAR(10 g) = 0.076 mW/g
Maximum value of SAR (measured) = 0.141 mW/g



Test Laboratory: Compliance Certification Services

5_Body Worn - Belt-clip (805-612-001)

DUT: Intermec Technologies Corporation; Type: 700C; Serial: 13790400010 (With 802.11bg, CDMA and Bluetooth)

Communication System: CDMA PCS band; Frequency: 1880 MHz;Duty Cycle: 1:1

M-ch/Z Scan (1x1x41): Measurement grid: dx=20mm, dy=20mm, dz=2.5mm

Maximum value of SAR (measured) = 0.229 mW/g

