



**4.0 Markings:** Each smallest shipping container will be labeled or otherwise marked with the manufacturer's name or trademark, and the part number designation. Major shipping cartons will be marked with the Intermec part number.

**5.0 Antenna Specifications:**

- 5.1 Center Frequency: 2450 MHz
- 5.2 Frequency Bandwidth: 100 MHz
- 5.3 Nominal Impedance: 50 Ohms
- 5.4 VSWR: 2:1 (minimum performance)
- 5.5 Antenna Peak Gain: 3.0 dBi
- 5.6 Pattern (Total Power): Omnidirectional
- 5.7 Maximum Input Power: 50 Watts
- 5.8 Polarization: Mixed

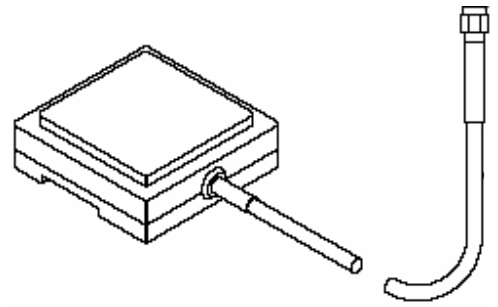
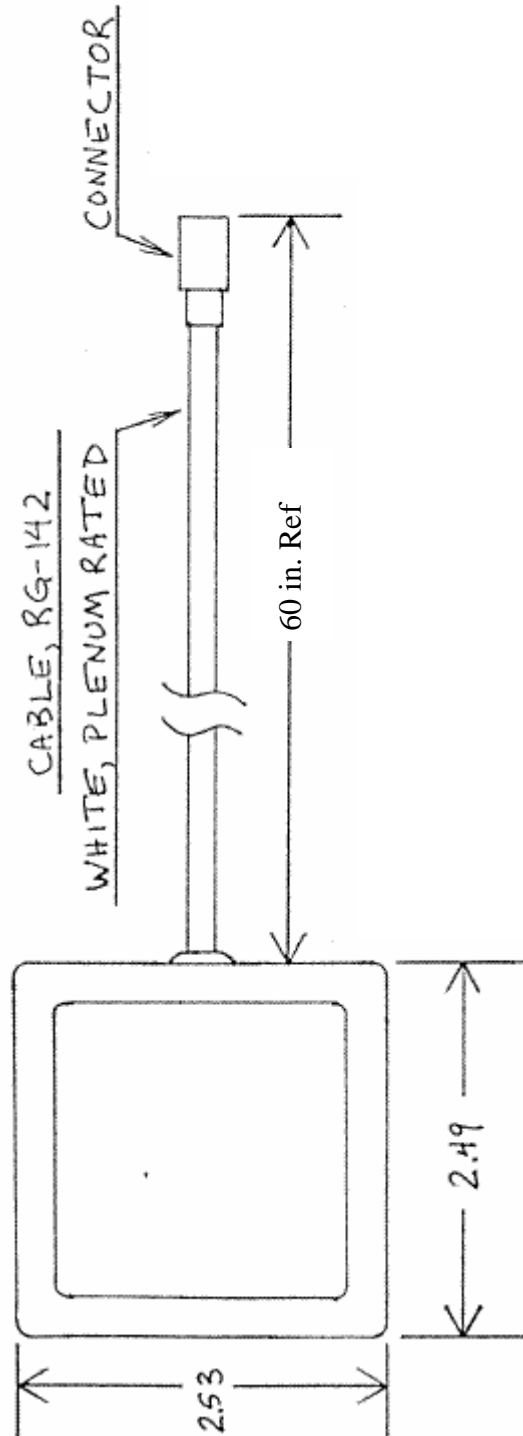
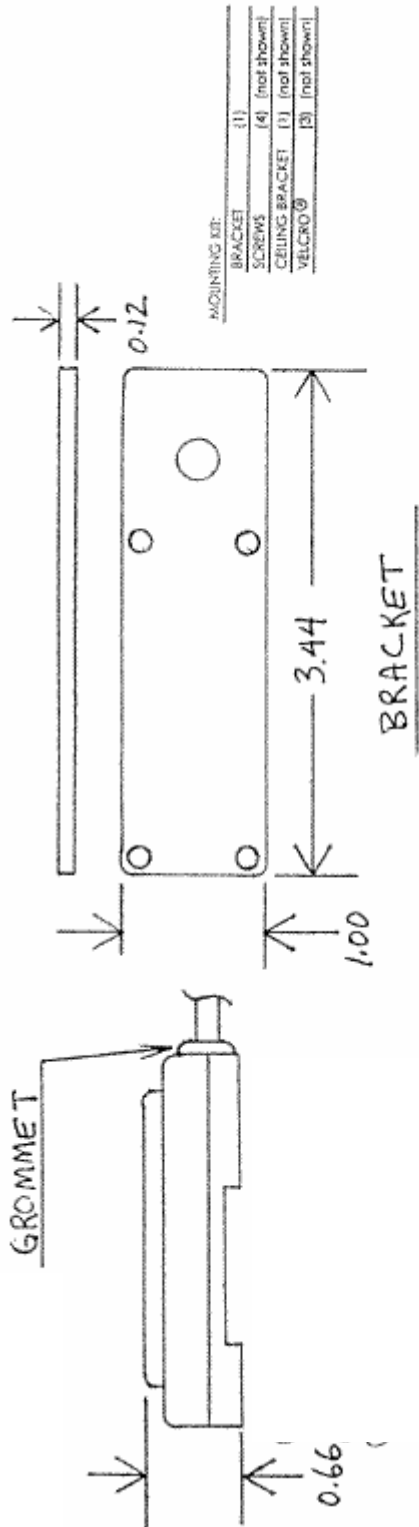
**6.0 Mechanical Specifications:**

- 6.1 Antenna Type: Air-loaded patch
- 6.2 Operating Temperature Range: -40°C to +70°C
- 6.3 Storage Temperature Range: -40°C to +70°C
- 6.4 Antenna Mounting Means: Supplied with bracket, ceiling bracket, screws and velcro strips

**7.0 Materials:**

- 7.1 Antenna Elements: Not specified
- 7.2 Radome Material: ABS, off-white color
- 7.3 Cable Assembly: 60 inches (ref.) of 50 ohm coaxial cable, RG-142 style, with reverse polarity SMA plug

8.0 Assembly Drawing:



TOLERANCE; ALL DIMENSIONS ARE REFERENCE  
UNLESS OTHERWISE SHOWN