

Test Laboratory: Compliance Certification Services

1_Left hand side

DUT: Intermec Technologies Corporation; Type: 700C; Serial: 18190400042 (with 802.11bg, GSM and Bluetooth)

Communication System: GSM850; Frequency: 836.4 MHz; Duty Cycle: 1:8

Medium parameters used (interpolated): $f = 836.4$ MHz; $\sigma = 0.938$ mho/m; $\epsilon_r = 41.5$; $\rho = 1000$ kg/m³

Phantom section: Left Section

Room Ambient Temperature: 23.5 deg. C; Liquid Temperature: 23.0 deg. C

DASY4 Configuration:

- Area Scan setting - Find Secondary Maximum Within: 2.0 dB and with a peak SAR value greater than 0.0012W/kg
- Probe: EX3DV3 - SN3531; ConvF(10.7, 10.7, 10.7); Calibrated: 7/18/2004
- Sensor-Surface: 2.5mm (Mechanical Surface Detection)
- Electronics: DAE3 Sn500; Calibrated: 2/7/2005
- Phantom: SAM 2; Type: SAM 2; Serial: 1050
- Measurement SW: DASY4, V4.5 Build 19; Postprocessing SW: SEMCAD, V1.8 Build 146

Tilt position_M-ch/Area Scan (9x15x1): Measurement grid: dx=15mm, dy=15mm

[Info: Interpolated medium parameters used for SAR evaluation!](#)

Maximum value of SAR (measured) = 0.220 mW/g

Tilt position_M-ch/Zoom Scan (5x5x7)/Cube 0: Measurement grid: dx=7.5mm, dy=7.5mm, dz=5mm

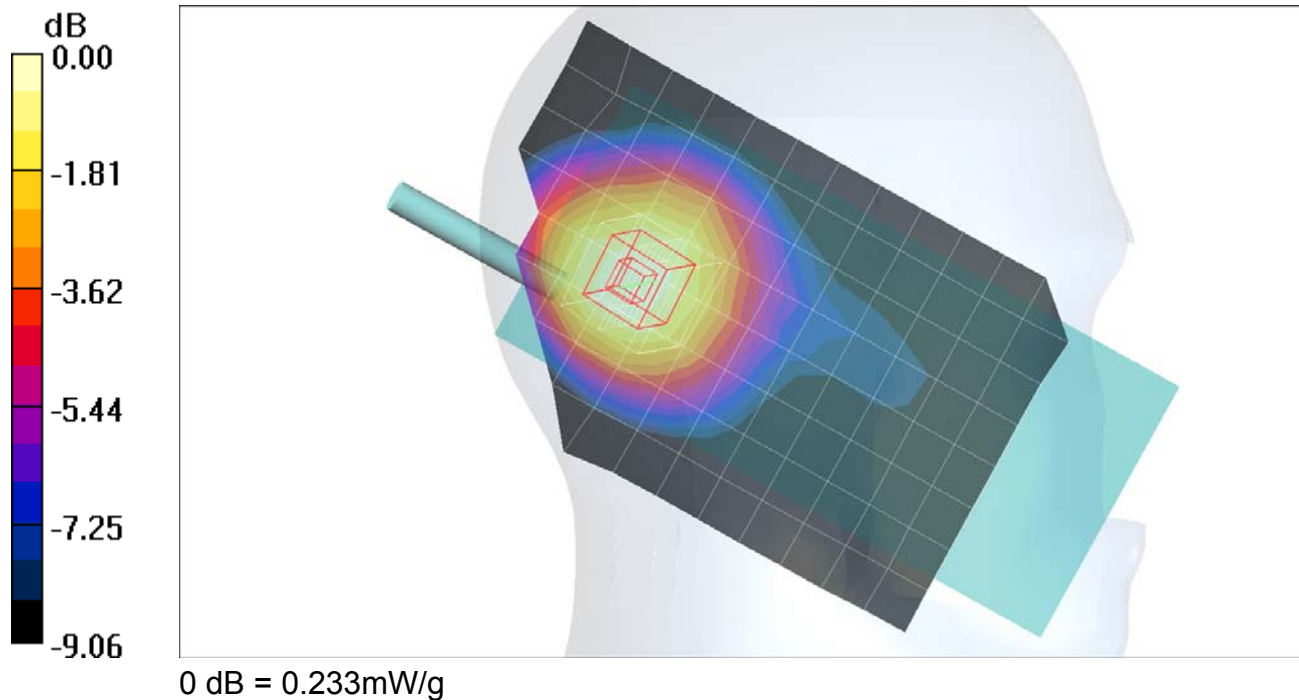
Reference Value = 9.00 V/m; Power Drift = -0.171 dB

Peak SAR (extrapolated) = 0.265 W/kg

SAR(1 g) = 0.205 mW/g; SAR(10 g) = 0.150 mW/g

[Info: Interpolated medium parameters used for SAR evaluation!](#)

Maximum value of SAR (measured) = 0.233 mW/g



Test Laboratory: Compliance Certification Services

1_Left hand side

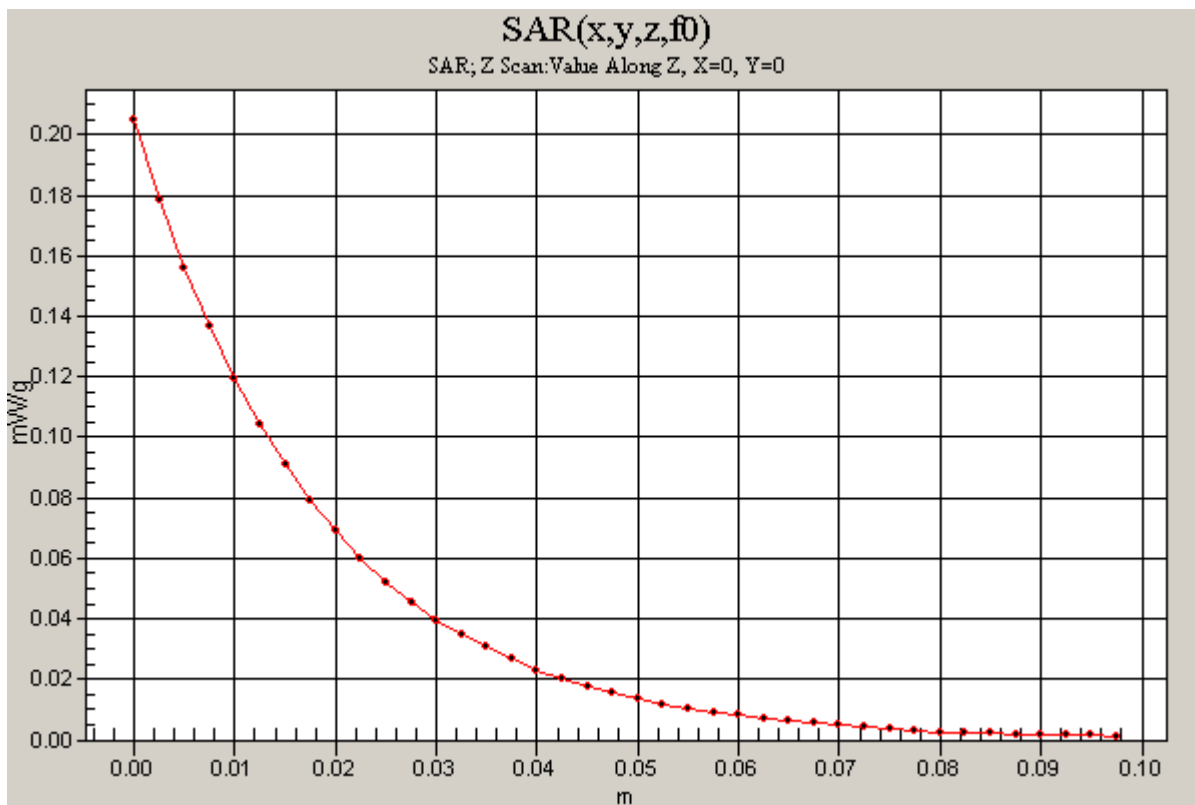
DUT: Intermec Technologies Corporation; Type: 700C; Serial: 18190400042 (with 802.11bg, GSM and Bluetooth)

Communication System: GSM850; Frequency: 836.4 MHz;Duty Cycle: 1:8

Tilt position_M-ch/Z Scan (1x1x41): Measurement grid: dx=20mm, dy=20mm, dz=2.5mm

[Info: Interpolated medium parameters used for SAR evaluation!](#)

Maximum value of SAR (measured) = 0.205 mW/g



Test Laboratory: Compliance Certification Services

1_Left hand side

DUT: Intermec Technologies Corporation; Type: 700C; Serial: 18190400042 (with 802.11bg, GSM and Bluetooth)

Communication System: 802.11bg; Frequency: 2437 MHz; Duty Cycle: 1:1

Medium parameters used (interpolated): $f = 2437$ MHz; $\sigma = 1.86$ mho/m; $\epsilon_r = 39.6$; $\rho = 1000$ kg/m³

Phantom section: Left Section

Room Ambient Temperature: 23.5 deg. C; Liquid Temperature: 23.0 deg. C

DASY4 Configuration:

- Area Scan setting - Find Secondary Maximum Within: 2.0 dB and with a peak SAR value greater than 0.0012W/kg
- Probe: EX3DV3 - SN3531; ConvF(8.11, 8.11, 8.11); Calibrated: 7/18/2004
- Sensor-Surface: 2.5mm (Mechanical Surface Detection)
- Electronics: DAE3 Sn500; Calibrated: 2/7/2005
- Phantom: SAM 2; Type: SAM 2; Serial: 1050
- Measurement SW: DASY4, V4.5 Build 19; Postprocessing SW: SEMCAD, V1.8 Build 146

Tilt position_M-ch/Area Scan (9x11x1): Measurement grid: dx=15mm, dy=15mm

[Info: Interpolated medium parameters used for SAR evaluation!](#)

Maximum value of SAR (measured) = 0.126 mW/g

Tilt position_M-ch/Zoom Scan (5x5x7)/Cube 0: Measurement grid: dx=7.5mm, dy=7.5mm, dz=5mm

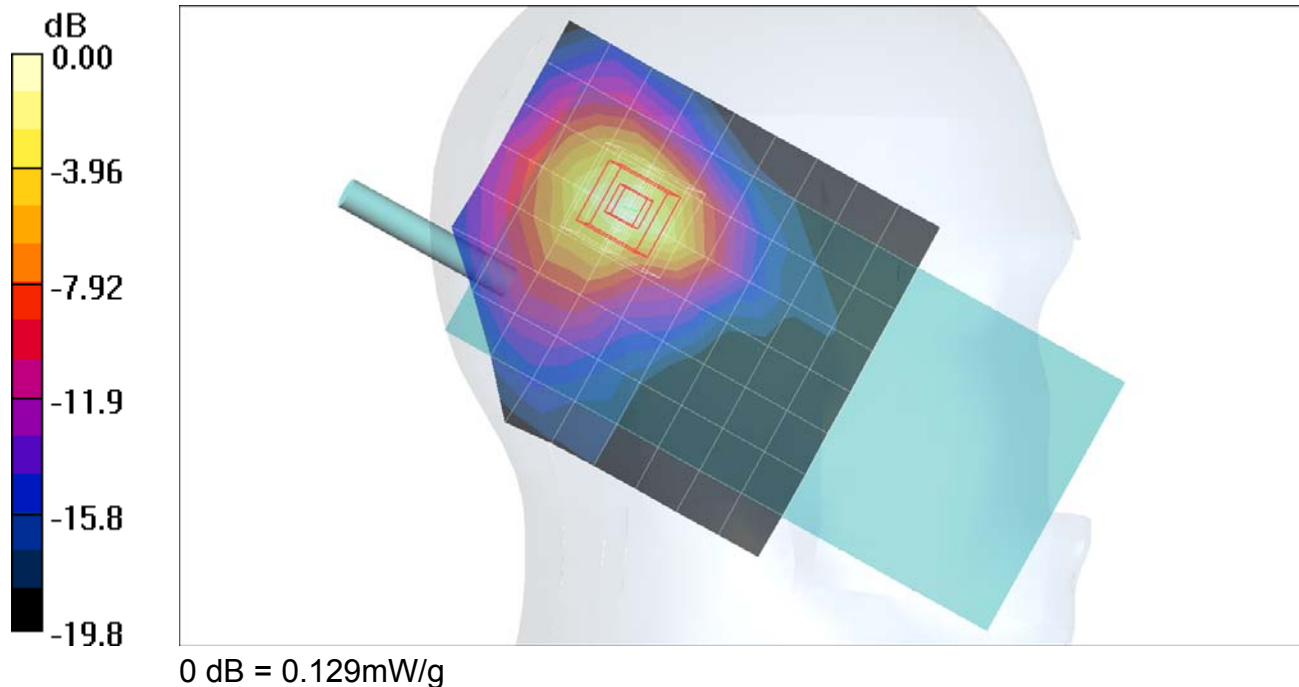
Reference Value = 1.69 V/m; Power Drift = -0.155 dB

Peak SAR (extrapolated) = 0.182 W/kg

SAR(1 g) = 0.095 mW/g; SAR(10 g) = 0.047 mW/g

[Info: Interpolated medium parameters used for SAR evaluation!](#)

Maximum value of SAR (measured) = 0.129 mW/g



Test Laboratory: Compliance Certification Services

1_Left hand side

DUT: Intermec Technologies Corporation; Type: 700C; Serial: 18190400042 (with 802.11bg, GSM and Bluetooth)

Communication System: Bluetooth; Frequency: 2441 MHz; Duty Cycle: 1:1

Medium parameters used (interpolated): $f = 2441$ MHz; $\sigma = 1.87$ mho/m; $\epsilon_r = 39.5$; $\rho = 1000$ kg/m³

Phantom section: Left Section

Room Ambient Temperature: 23.5 deg. C; Liquid Temperature: 23.0 deg. C

DASY4 Configuration:

- Area Scan setting - Find Secondary Maximum Within: 2.0 dB and with a peak SAR value greater than 0.0012W/kg
- Probe: EX3DV3 - SN3531; ConvF(8.11, 8.11, 8.11); Calibrated: 7/18/2004
- Sensor-Surface: 2.5mm (Mechanical Surface Detection)
- Electronics: DAE3 Sn500; Calibrated: 2/7/2005
- Phantom: SAM 2; Type: SAM 2; Serial: 1050
- Measurement SW: DASY4, V4.5 Build 19; Postprocessing SW: SEMCAD, V1.8 Build 146

Tilt position_M-ch/Area Scan (9x11x1): Measurement grid: dx=15mm, dy=15mm

[Info: Interpolated medium parameters used for SAR evaluation!](#)

Maximum value of SAR (measured) = 0.00 mW/g

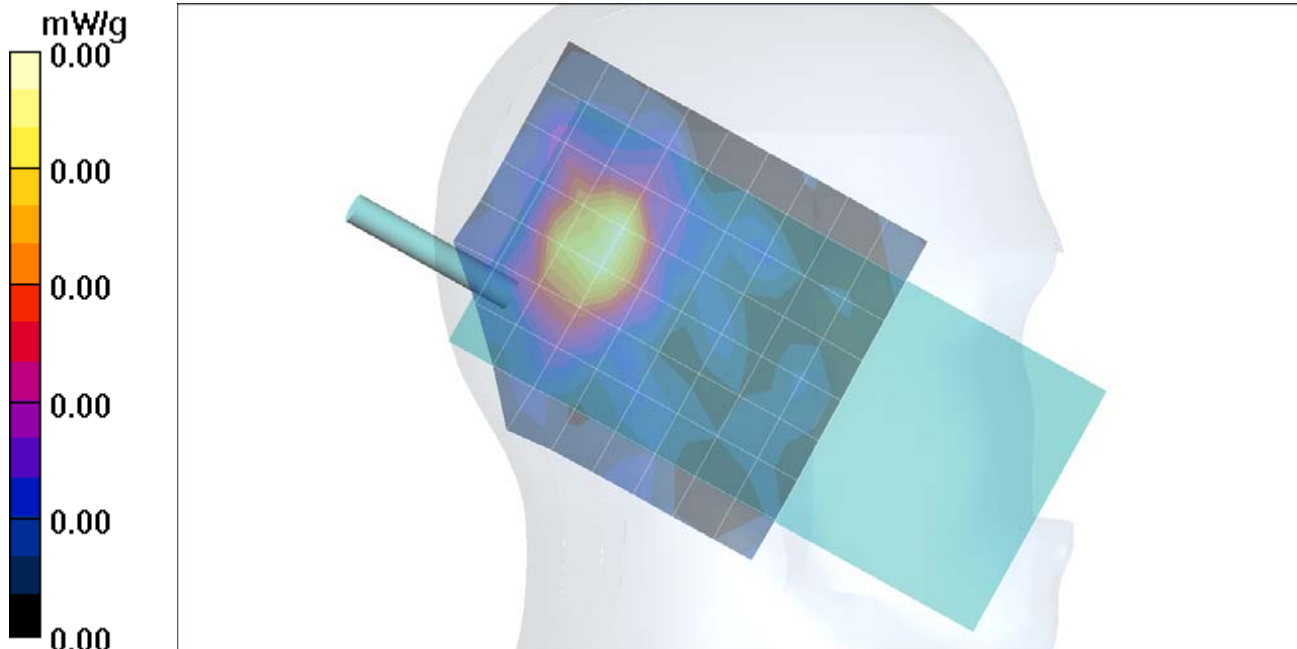
Tilt position_M-ch/Zoom Scan (5x5x7)/Cube 0: Measurement grid: dx=7.5mm, dy=7.5mm, dz=5mm

Reference Value = 0.455 V/m; Power Drift = -0.154 dB

Peak SAR (extrapolated) = 0.012 W/kg

SAR(1 g) = 0.0029 mW/g; SAR(10 g) = 0.00133 mW/g

[Info: Interpolated medium parameters used for SAR evaluation!](#)



Test Laboratory: Compliance Certification Services

1_Left hand side

DUT: Intermec Technologies Corporation; Type: 700C; Serial: 18190400042 (with 802.11bg, GSM and Bluetooth)

Communication System: DCS 1900; Frequency: 1880 MHz; Duty Cycle: 1:8
Medium parameters used: $f = 1880$ MHz; $\sigma = 1.41$ mho/m; $\epsilon_r = 41.9$; $\rho = 1000$ kg/m³
Phantom section: Left Section

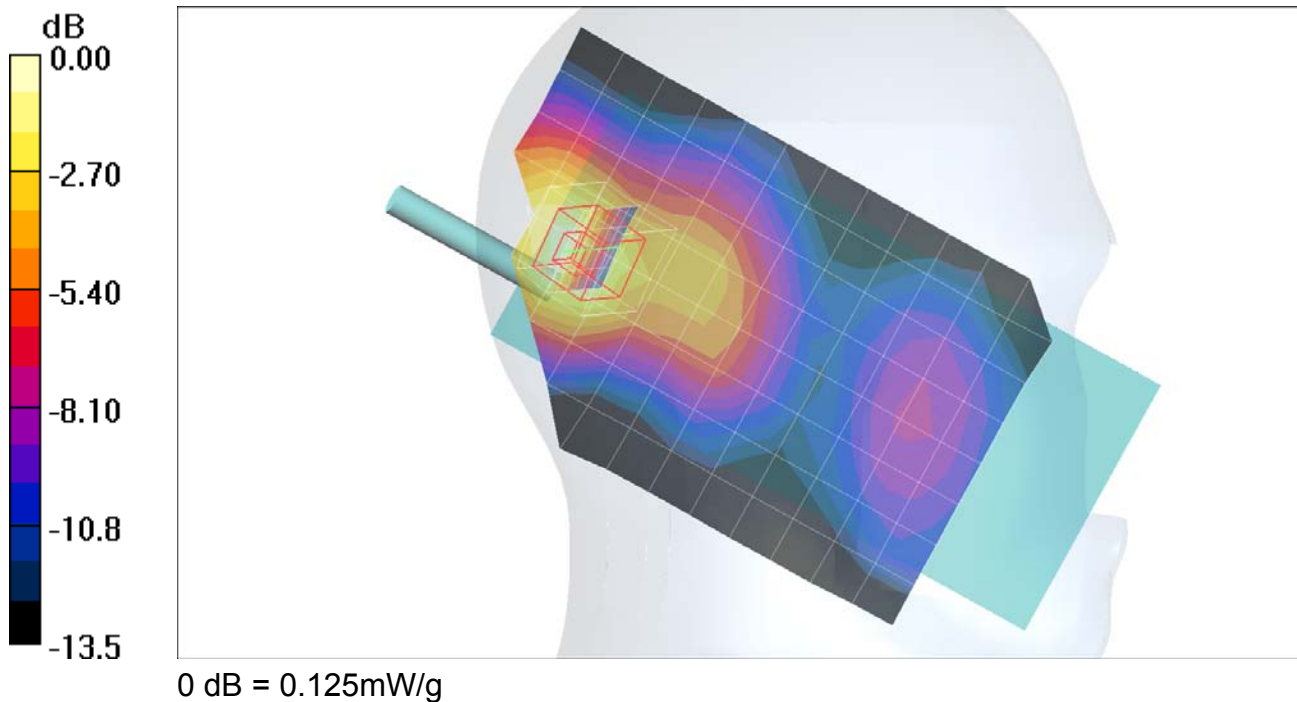
Room Ambient Temperature: 23.5 deg. C; Liquid Temperature: 23.0 deg. C

DASY4 Configuration:

- Area Scan setting - Find Secondary Maximum Within: 2.0 dB and with a peak SAR value greater than 0.0012W/kg
- Probe: EX3DV3 - SN3531; ConvF(8.98, 8.98, 8.98); Calibrated: 7/18/2004
- Sensor-Surface: 2.5mm (Mechanical Surface Detection)
- Electronics: DAE3 Sn500; Calibrated: 2/7/2005
- Phantom: SAM 2; Type: SAM 2; Serial: 1050
- Measurement SW: DASY4, V4.5 Build 19; Postprocessing SW: SEMCAD, V1.8 Build 146

Tilt position_M-ch/Area Scan (9x15x1): Measurement grid: dx=15mm, dy=15mm
Maximum value of SAR (measured) = 0.115 mW/g

Tilt position_M-ch/Zoom Scan (5x5x7)/Cube 0: Measurement grid: dx=7.5mm, dy=7.5mm, dz=5mm
Reference Value = 4.69 V/m; Power Drift = -0.216 dB
Peak SAR (extrapolated) = 0.150 W/kg
SAR(1 g) = 0.103 mW/g; SAR(10 g) = 0.065 mW/g
Maximum value of SAR (measured) = 0.125 mW/g



Test Laboratory: Compliance Certification Services

2_Right hand side

DUT: Intermec Technologies Corporation; Type: 700C; Serial: 18190400042 (with 802.11bg, GSM and Bluetooth)

Communication System: GSM850; Frequency: 848.8 MHz; Duty Cycle: 1:8

Medium parameters used (interpolated): $f = 848.8$ MHz; $\sigma = 0.948$ mho/m; $\epsilon_r = 41.3$; $\rho = 1000$ kg/m³

Phantom section: Right Section

Room Ambient Temperature: 23.5 deg. C; Liquid Temperature: 23.0 deg. C

DASY4 Configuration:

- Area Scan setting - Find Secondary Maximum Within: 2.0 dB and with a peak SAR value greater than 0.0012W/kg
- Probe: EX3DV3 - SN3531; ConvF(10.7, 10.7, 10.7); Calibrated: 7/18/2004
- Sensor-Surface: 2.5mm (Mechanical Surface Detection)
- Electronics: DAE3 Sn500; Calibrated: 2/7/2005
- Phantom: SAM 2; Type: SAM 2; Serial: 1050
- Measurement SW: DASY4, V4.5 Build 19; Postprocessing SW: SEMCAD, V1.8 Build 146

Tilt position_H-ch/Area Scan (9x15x1): Measurement grid: dx=15mm, dy=15mm

[Info: Interpolated medium parameters used for SAR evaluation!](#)

Maximum value of SAR (measured) = 0.438 mW/g

Tilt position_H-ch/Zoom Scan (5x5x7)/Cube 0: Measurement grid: dx=7.5mm, dy=7.5mm, dz=5mm

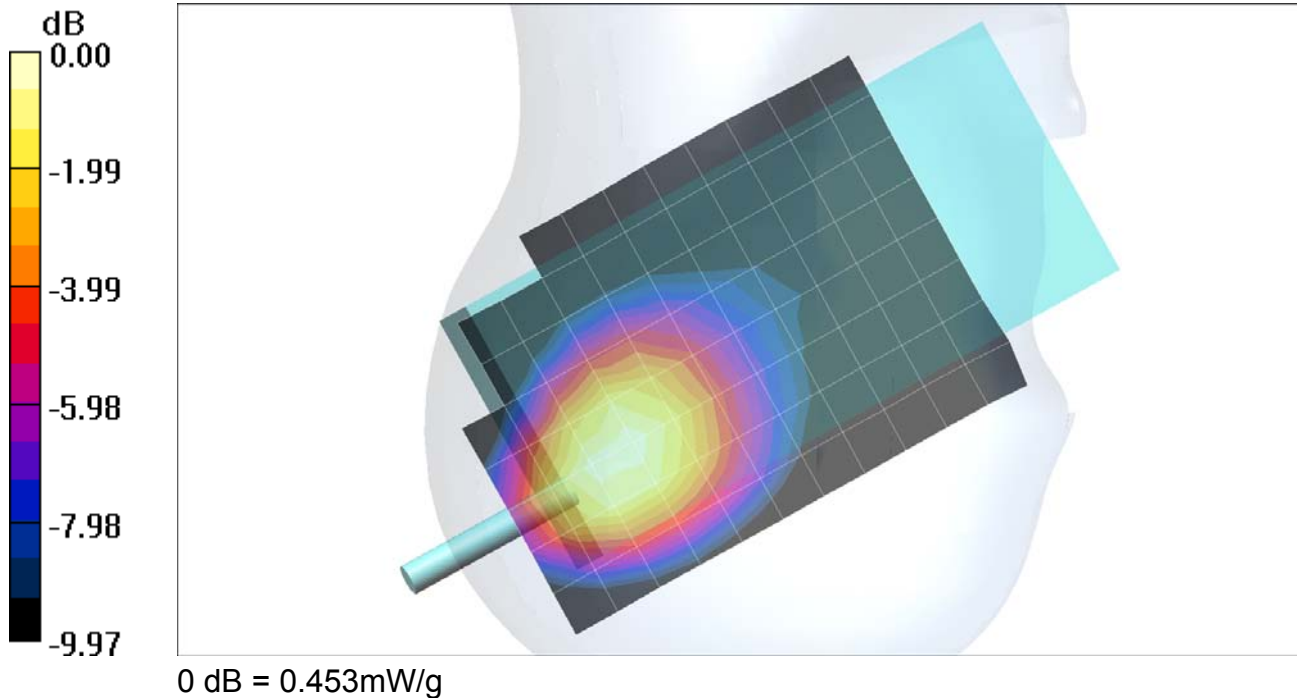
Reference Value = 11.3 V/m; Power Drift = -0.120 dB

Peak SAR (extrapolated) = 0.534 W/kg

SAR(1 g) = 0.387 mW/g; SAR(10 g) = 0.266 mW/g

[Info: Interpolated medium parameters used for SAR evaluation!](#)

Maximum value of SAR (measured) = 0.453 mW/g



Test Laboratory: Compliance Certification Services

2_Right hand side

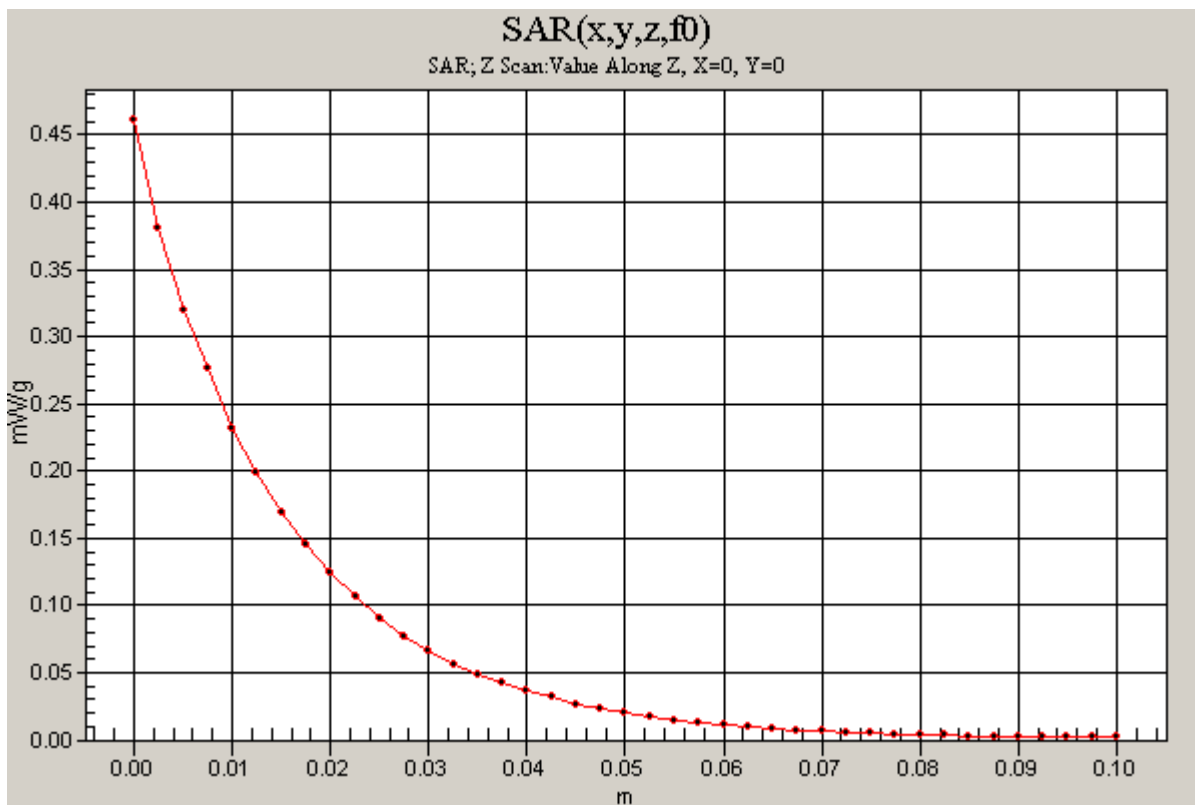
DUT: Intermec Technologies Corporation; Type: 700C; Serial: 18190400042 (with 802.11bg, GSM and Bluetooth)

Communication System: GSM850; Frequency: 848.8 MHz;Duty Cycle: 1:8

Tilt position_H-ch/Z Scan (1x1x41): Measurement grid: dx=20mm, dy=20mm, dz=2.5mm

[Info: Interpolated medium parameters used for SAR evaluation!](#)

Maximum value of SAR (measured) = 0.461 mW/g



Test Laboratory: Compliance Certification Services

2_Right hand side

DUT: Intermec Technologies Corporation; Type: 700C; Serial: 18190400042 (with 802.11bg, GSM and Bluetooth)

Communication System: 802.11bg; Frequency: 2437 MHz; Duty Cycle: 1:1

Medium parameters used (interpolated): $f = 2437$ MHz; $\sigma = 1.86$ mho/m; $\epsilon_r = 39.6$; $\rho = 1000$ kg/m³

Phantom section: Right Section

Room Ambient Temperature: 23.5 deg. C; Liquid Temperature: 23.0 deg. C

DASY4 Configuration:

- Area Scan setting - Find Secondary Maximum Within: 2.0 dB and with a peak SAR value greater than 0.0012W/kg
- Probe: EX3DV3 - SN3531; ConvF(8.11, 8.11, 8.11); Calibrated: 7/18/2004
- Sensor-Surface: 2.5mm (Mechanical Surface Detection)
- Electronics: DAE3 Sn500; Calibrated: 2/7/2005
- Phantom: SAM 2; Type: SAM 2; Serial: 1050
- Measurement SW: DASY4, V4.5 Build 19; Postprocessing SW: SEMCAD, V1.8 Build 146

Tilt position_M-ch/Area Scan (9x11x1): Measurement grid: dx=15mm, dy=15mm

[Info: Interpolated medium parameters used for SAR evaluation!](#)

Maximum value of SAR (measured) = 0.053 mW/g

Tilt position_M-ch/Zoom Scan (5x5x7)/Cube 0: Measurement grid: dx=7.5mm, dy=7.5mm, dz=5mm

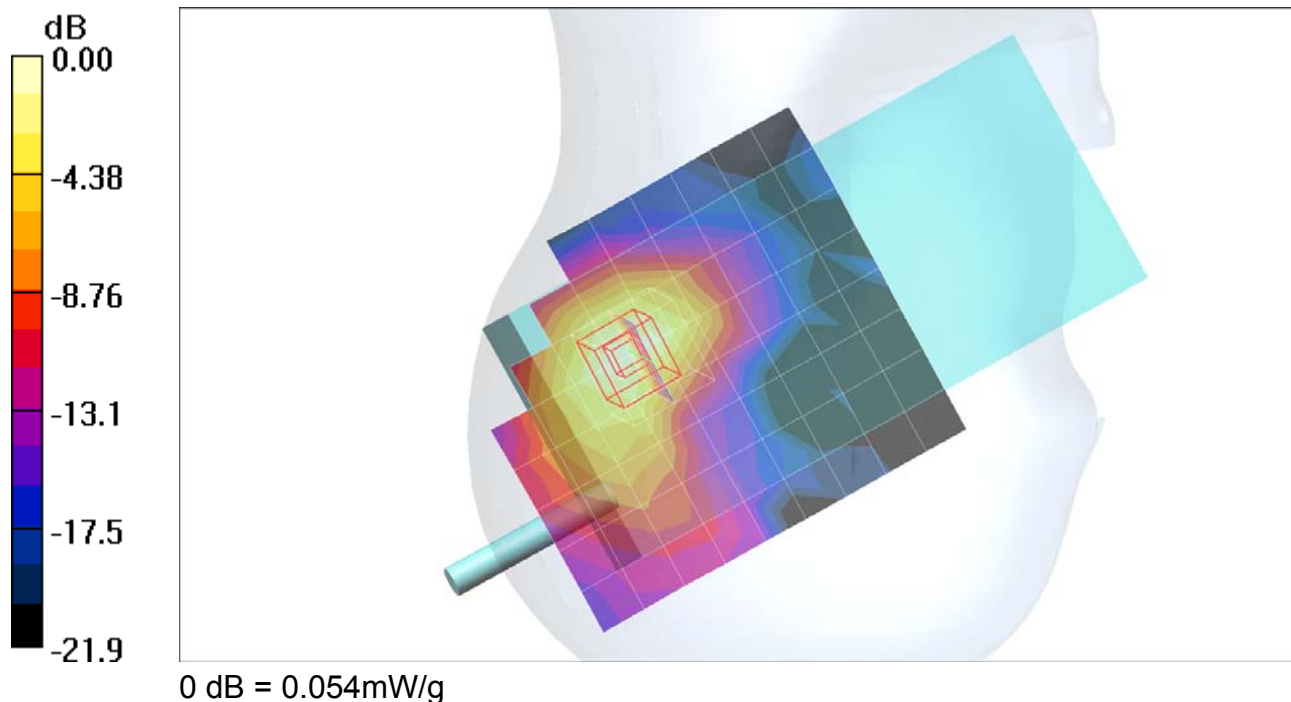
Reference Value = 1.25 V/m; Power Drift = -0.041 dB

Peak SAR (extrapolated) = 0.073 W/kg

SAR(1 g) = 0.041 mW/g; SAR(10 g) = 0.022 mW/g

[Info: Interpolated medium parameters used for SAR evaluation!](#)

Maximum value of SAR (measured) = 0.054 mW/g



Test Laboratory: Compliance Certification Services

2_Right hand side

DUT: Intermec Technologies Corporation; Type: 700C; Serial: 18190400042 (with 802.11bg, GSM and Bluetooth)

Communication System: Bluetooth; Frequency: 2441 MHz; Duty Cycle: 1:1

Medium parameters used (interpolated): $f = 2441$ MHz; $\sigma = 1.87$ mho/m; $\epsilon_r = 39.5$; $\rho = 1000$ kg/m³

Phantom section: Right Section

Room Ambient Temperature: 23.5 deg. C; Liquid Temperature: 23.0 deg. C

DASY4 Configuration:

- Area Scan setting - Find Secondary Maximum Within: 2.0 dB and with a peak SAR value greater than 0.0012W/kg
- Probe: EX3DV3 - SN3531; ConvF(8.11, 8.11, 8.11); Calibrated: 7/18/2004
- Sensor-Surface: 2.5mm (Mechanical Surface Detection)
- Electronics: DAE3 Sn500; Calibrated: 2/7/2005
- Phantom: SAM 2; Type: SAM 2; Serial: 1050
- Measurement SW: DASY4, V4.5 Build 19; Postprocessing SW: SEMCAD, V1.8 Build 146

Tilt position_M-ch/Area Scan (9x11x1): Measurement grid: dx=15mm, dy=15mm

[Info: Interpolated medium parameters used for SAR evaluation!](#)

Maximum value of SAR (measured) = 0.00 mW/g

Tilt position_M-ch/Zoom Scan (5x5x7)/Cube 0: Measurement grid: dx=7.5mm, dy=7.5mm, dz=5mm

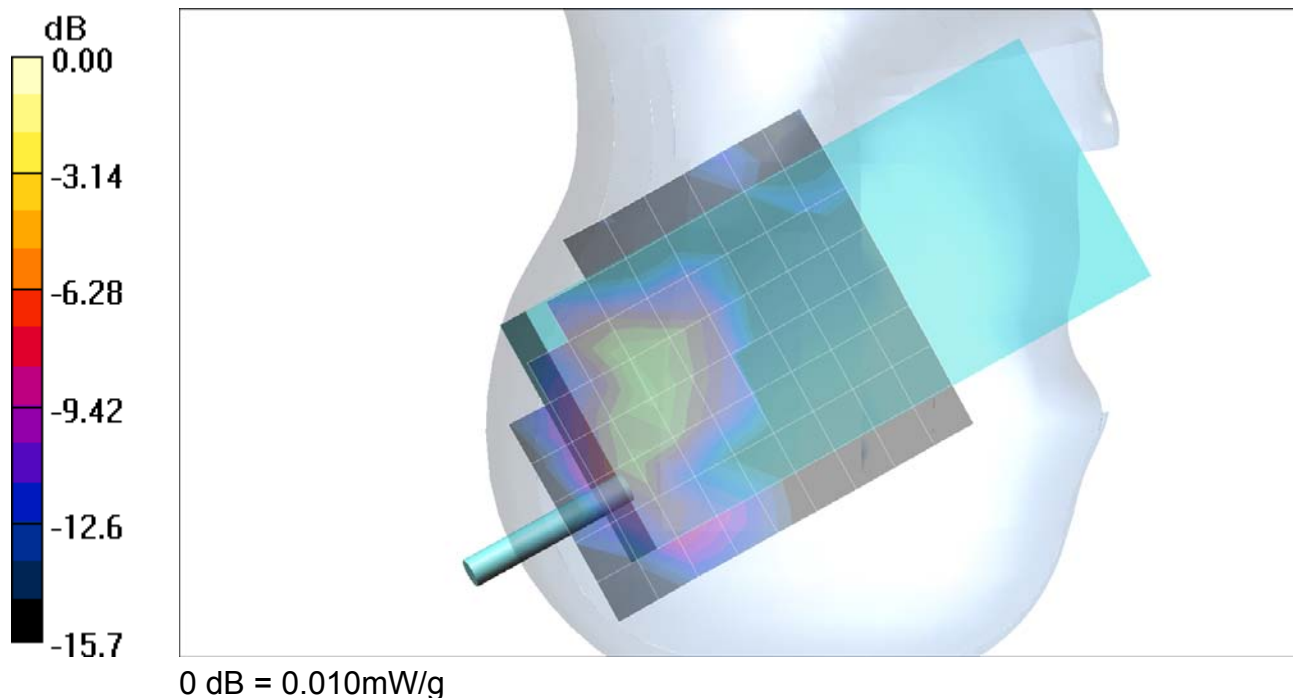
Reference Value = 0.563 V/m; Power Drift = -0.271 dB

Peak SAR (extrapolated) = 0.011 W/kg

SAR(1 g) = 0.00366 mW/g; SAR(10 g) = 0.00161 mW/g

[Info: Interpolated medium parameters used for SAR evaluation!](#)

Maximum value of SAR (measured) = 0.01 mW/g



Test Laboratory: Compliance Certification Services

1_Right hand side

DUT: Intermec Technologies Corporation; Type: 700C; Serial: 18190400042 (with 802.11bg, GSM and Bluetooth)

Communication System: DCS 1900; Frequency: 1880 MHz; Duty Cycle: 1:8
Medium parameters used: $f = 1880$ MHz; $\sigma = 1.41$ mho/m; $\epsilon_r = 41.9$; $\rho = 1000$ kg/m³
Phantom section: Right Section

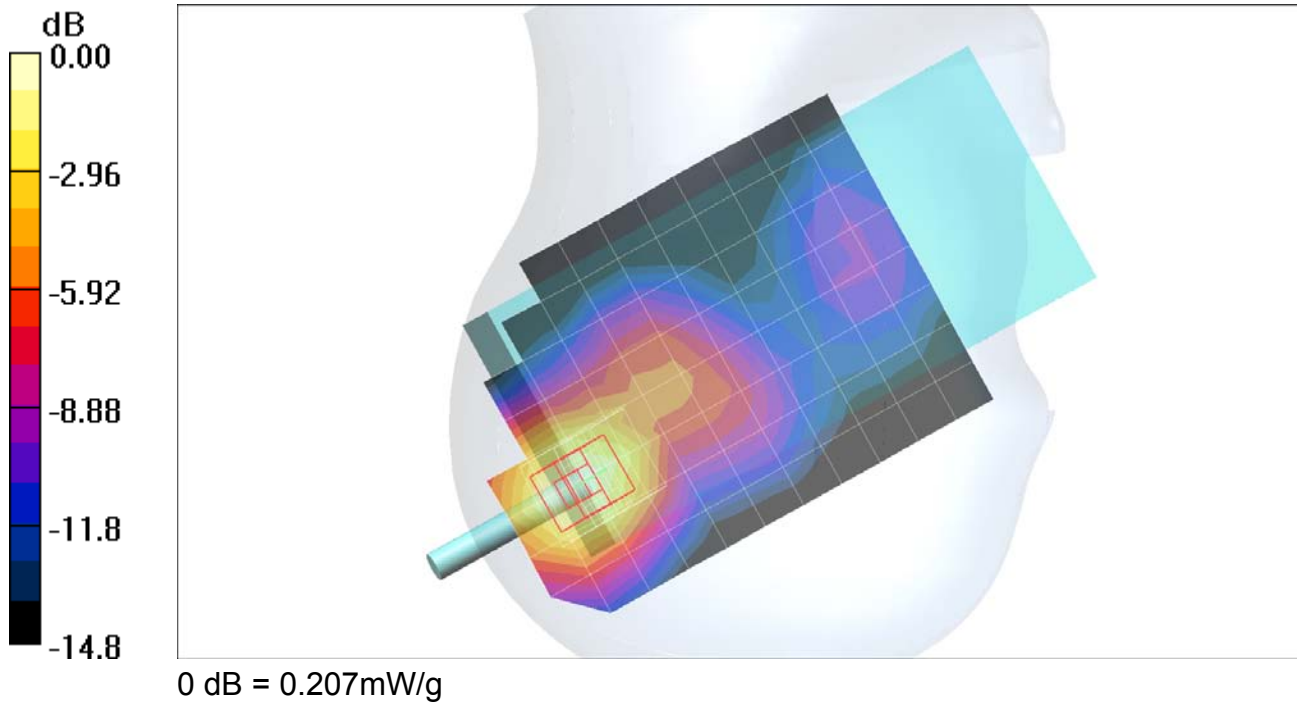
Room Ambient Temperature: 23.5 deg. C; Liquid Temperature: 23.0 deg. C

DASY4 Configuration:

- Area Scan setting - Find Secondary Maximum Within: 2.0 dB and with a peak SAR value greater than 0.0012W/kg
- Probe: EX3DV3 - SN3531; ConvF(8.98, 8.98, 8.98); Calibrated: 7/18/2004
- Sensor-Surface: 2.5mm (Mechanical Surface Detection)
- Electronics: DAE3 Sn500; Calibrated: 2/7/2005
- Phantom: SAM 2; Type: SAM 2; Serial: 1050
- Measurement SW: DASY4, V4.5 Build 19; Postprocessing SW: SEMCAD, V1.8 Build 146

Tilt position_L-ch/Area Scan (9x14x1): Measurement grid: dx=15mm, dy=15mm
Maximum value of SAR (measured) = 0.201 mW/g

Tilt position_L-ch/Zoom Scan (5x5x7)/Cube 0: Measurement grid: dx=7.5mm, dy=7.5mm, dz=5mm
Reference Value = 4.61 V/m; Power Drift = -0.126 dB
Peak SAR (extrapolated) = 0.253 W/kg
SAR(1 g) = 0.169 mW/g; SAR(10 g) = 0.105 mW/g
Maximum value of SAR (measured) = 0.207 mW/g



Test Laboratory: Compliance Certification Services

3_Body Worn - With holster (815-047-002) left

DUT: Intermec Technologies Corporation; Type: 700C; Serial: 18190400042 (with 802.11bg, GSM and Bluetooth)

Communication System: GSM850; Frequency: 836.4 MHz; Duty Cycle: 1:4

Medium parameters used (interpolated): $f = 836.4$ MHz; $\sigma = 1$ mho/m; $\epsilon_r = 57.1$; $\rho = 1000$ kg/m³

Phantom section: Flat Section

Room Ambient Temperature: 23.5 deg. C; Liquid Temperature: 23.0 deg. C

DASY4 Configuration:

- Area Scan setting - Find Secondary Maximum Within: 2.0 dB and with a peak SAR value greater than 0.0012W/kg
- Probe: EX3DV3 - SN3531; ConvF(10.5, 10.5, 10.5); Calibrated: 7/18/2004
- Sensor-Surface: 2.5mm (Mechanical Surface Detection)
- Electronics: DAE3 Sn500; Calibrated: 2/7/2005
- Phantom: SAM 1; Type: SAM 1; Serial: 1185
- Measurement SW: DASY4, V4.5 Build 19; Postprocessing SW: SEMCAD, V1.8 Build 146

M-ch/Area Scan (9x17x1): Measurement grid: dx=15mm, dy=15mm

[Info: Interpolated medium parameters used for SAR evaluation!](#)

Maximum value of SAR (measured) = 0.343 mW/g

M-ch/Zoom Scan (5x5x7)/Cube 0: Measurement grid: dx=7.5mm, dy=7.5mm, dz=5mm

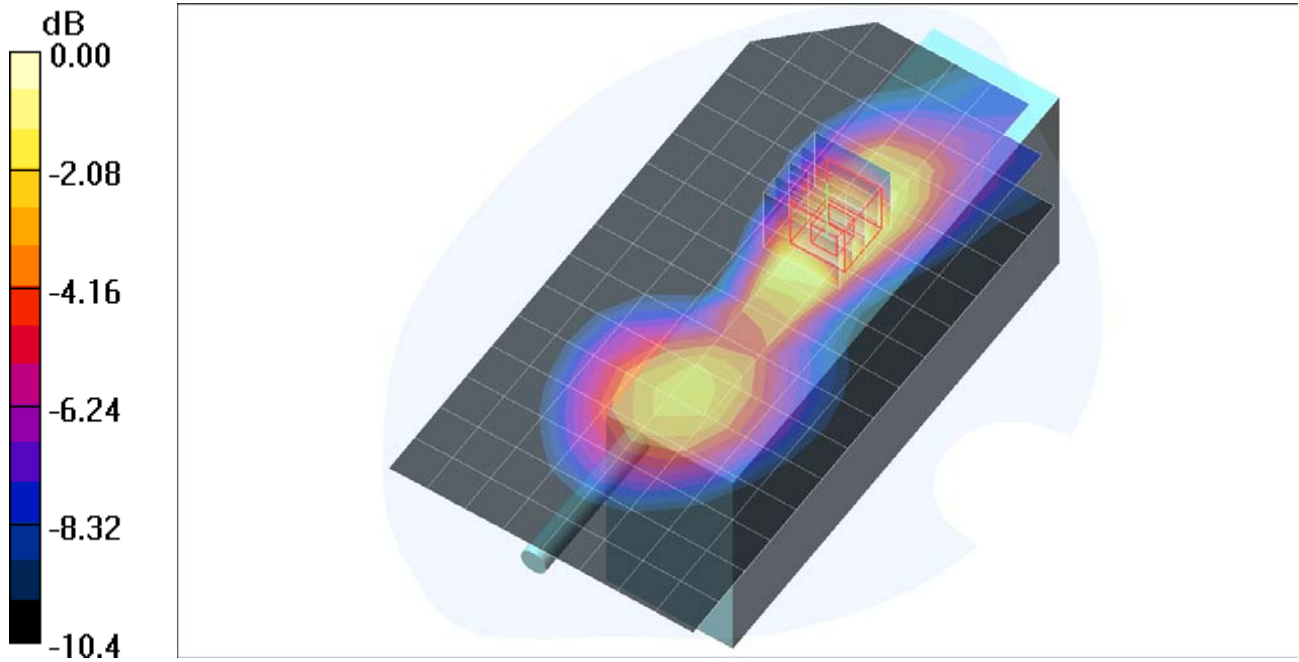
Reference Value = 13.4 V/m; Power Drift = -0.239 dB

Peak SAR (extrapolated) = 0.475 W/kg

SAR(1 g) = 0.335 mW/g; SAR(10 g) = 0.223 mW/g

[Info: Interpolated medium parameters used for SAR evaluation!](#)

Maximum value of SAR (measured) = 0.402 mW/g



Test Laboratory: Compliance Certification Services

3_Body Worn - With holster (815-047-002) left

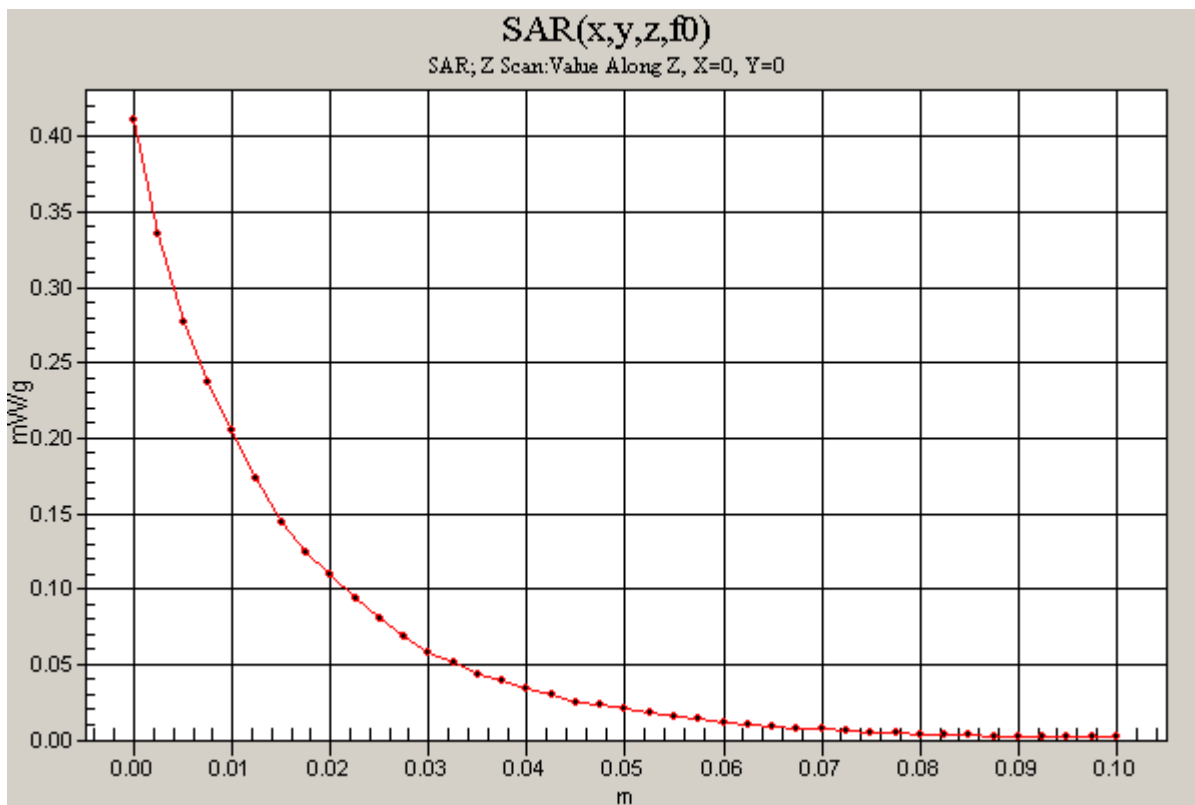
DUT: Intermec Technologies Corporation; Type: 700C; Serial: 18190400042 (with 802.11bg, GSM and Bluetooth)

Communication System: GSM850; Frequency: 836.4 MHz; Duty Cycle: 1:4

M-ch/Z Scan (1x1x41): Measurement grid: dx=20mm, dy=20mm, dz=2.5mm

[Info: Interpolated medium parameters used for SAR evaluation!](#)

Maximum value of SAR (measured) = 0.411 mW/g



Test Laboratory: Compliance Certification Services

3_Body Worn - With holster (815-047-002) left

DUT: Intermec Technologies Corporation; Type: 700C; Serial: 18190400042 (with 802.11bg, GSM and Bluetooth)

Communication System: 802.11bg; Frequency: 2437 MHz; Duty Cycle: 1:1

Medium parameters used (interpolated): $f = 2437$ MHz; $\sigma = 2$ mho/m; $\epsilon_r = 52.6$; $\rho = 1000$ kg/m³

Phantom section: Flat Section

Room Ambient Temperature: 23.5 deg. C; Liquid Temperature: 24.0 deg. C

DASY4 Configuration:

- Area Scan setting - Find Secondary Maximum Within: 2.0 dB and with a peak SAR value greater than 0.0012W/kg
- Probe: EX3DV3 - SN3531; ConvF(8.32, 8.32, 8.32); Calibrated: 7/18/2004
- Sensor-Surface: 2.5mm (Mechanical Surface Detection)
- Electronics: DAE3 Sn500; Calibrated: 2/7/2005
- Phantom: SAM 1; Type: SAM 1; Serial: 1185
- Measurement SW: DASY4, V4.5 Build 19; Postprocessing SW: SEMCAD, V1.8 Build 146

M-ch/Area Scan (10x13x1): Measurement grid: dx=15mm, dy=15mm

[Info: Interpolated medium parameters used for SAR evaluation!](#)

Maximum value of SAR (measured) = 0.012 mW/g

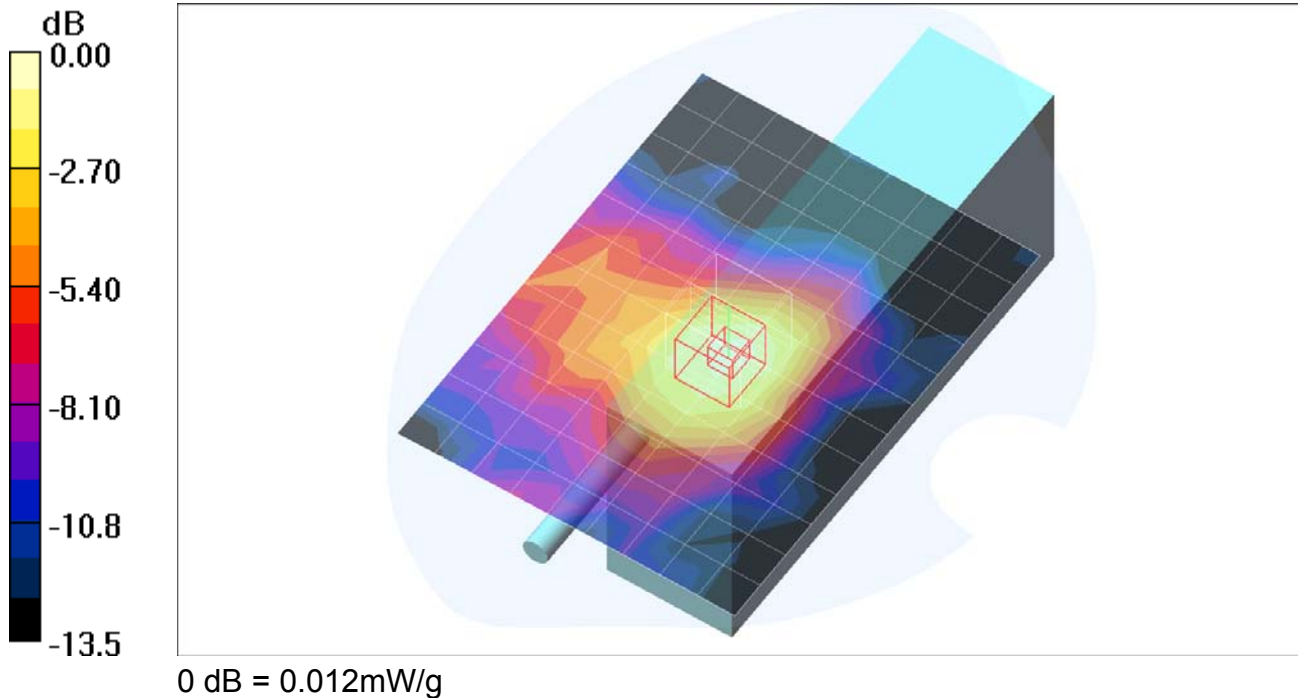
M-ch/Zoom Scan (5x5x7)/Cube 0: Measurement grid: dx=7.5mm, dy=7.5mm, dz=5mm

Reference Value = 2.41 V/m; Power Drift = -0.171 dB

Peak SAR (extrapolated) = 0.026 W/kg

SAR(1 g) = 0.00973 mW/g; SAR(10 g) = 0.005 mW/g

[Info: Interpolated medium parameters used for SAR evaluation!](#)



Test Laboratory: Compliance Certification Services

3_Body Worn - With holster (815-047-002) left

DUT: Intermec Technologies Corporation; Type: 700C; Serial: 18190400042 (with 802.11bg, GSM and Bluetooth)

Communication System: Bluetooth; Frequency: 2441 MHz; Duty Cycle: 1:1

Medium parameters used (interpolated): $f = 2441$ MHz; $\sigma = 2.01$ mho/m; $\epsilon_r = 52.6$; $\rho = 1000$ kg/m³

Phantom section: Flat Section

Room Ambient Temperature: 23.5 deg. C; Liquid Temperature: 23.0 deg. C

DASY4 Configuration:

- Area Scan setting - Find Secondary Maximum Within: 2.0 dB and with a peak SAR value greater than 0.0012W/kg
- Probe: EX3DV3 - SN3531; ConvF(8.32, 8.32, 8.32); Calibrated: 7/18/2004
- Sensor-Surface: 2.5mm (Mechanical Surface Detection)
- Electronics: DAE3 Sn500; Calibrated: 2/7/2005
- Phantom: SAM 1; Type: SAM 1; Serial: 1185
- Measurement SW: DASY4, V4.5 Build 19; Postprocessing SW: SEMCAD, V1.8 Build 146

L-ch/Area Scan (10x13x1): Measurement grid: dx=15mm, dy=15mm

[Info: Interpolated medium parameters used for SAR evaluation!](#)

Maximum value of SAR (measured) = 0.00 mW/g

L-ch/Zoom Scan (5x5x7)/Cube 0: Measurement grid: dx=7.5mm, dy=7.5mm, dz=5mm

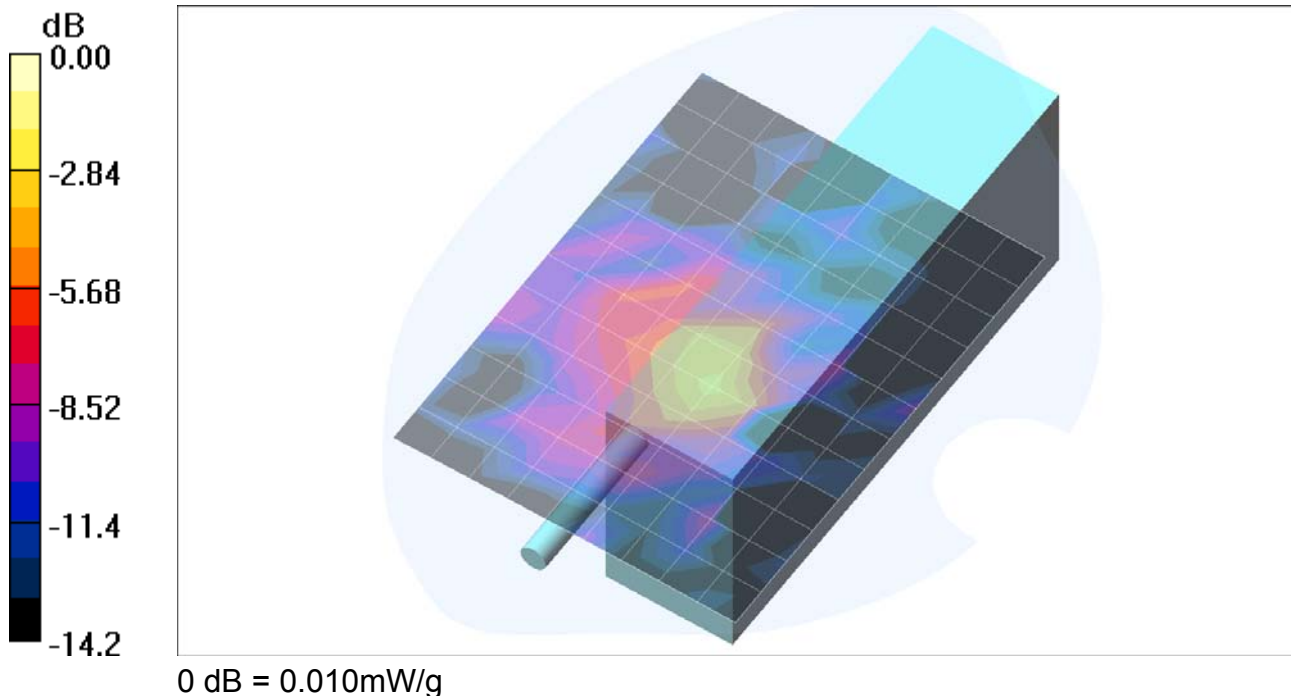
Reference Value = 1.15 V/m; Power Drift = -0.187 dB

Peak SAR (extrapolated) = 0.011 W/kg

SAR(1 g) = 0.00337 mW/g; SAR(10 g) = 0.00145 mW/g

[Info: Interpolated medium parameters used for SAR evaluation!](#)

Maximum value of SAR (measured) = 0.01 mW/g



Test Laboratory: Compliance Certification Services

3_Body Worn - With holster (815-047-002) left

DUT: Intermec Technologies Corporation; Type: 700C; Serial: 18190400042 (with 802.11bg, GSM and Bluetooth)

Communication System: DCS 1900; Frequency: 1880 MHz; Duty Cycle: 1:4
Medium parameters used: $f = 1880$ MHz; $\sigma = 1.52$ mho/m; $\epsilon_r = 53.6$; $\rho = 1000$ kg/m³
Phantom section: Flat Section

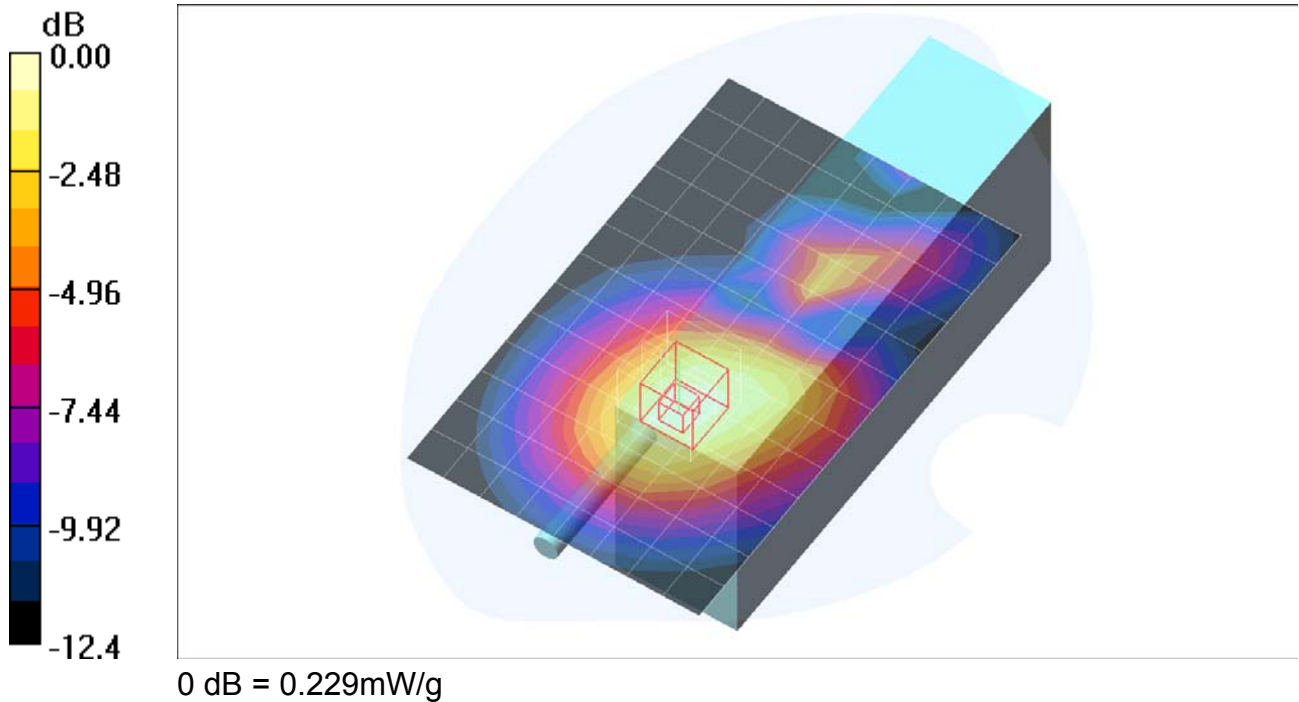
Room Ambient Temperature: 23.5 deg. C; Liquid Temperature: 23.0 deg. C

DASY4 Configuration:

- Area Scan setting - Find Secondary Maximum Within: 2.0 dB and with a peak SAR value greater than 0.0012W/kg
- Probe: EX3DV3 - SN3531; ConvF(8.1, 8.1, 8.1); Calibrated: 7/18/2004
- Sensor-Surface: 2.5mm (Mechanical Surface Detection)
- Electronics: DAE3 Sn500; Calibrated: 2/7/2005
- Phantom: SAM 1; Type: SAM 1; Serial: 1185
- Measurement SW: DASY4, V4.5 Build 19; Postprocessing SW: SEMCAD, V1.8 Build 146

M-ch/Area Scan (9x14x1): Measurement grid: dx=15mm, dy=15mm
Maximum value of SAR (measured) = 0.202 mW/g

M-ch/Zoom Scan (5x5x7)/Cube 0: Measurement grid: dx=7.5mm, dy=7.5mm, dz=5mm
Reference Value = 6.01 V/m; Power Drift = -0.150 dB
Peak SAR (extrapolated) = 0.271 W/kg
SAR(1 g) = 0.188 mW/g; SAR(10 g) = 0.121 mW/g
Maximum value of SAR (measured) = 0.229 mW/g



Test Laboratory: Compliance Certification Services

4_Body Worn - With Holster (815-047-001)

DUT: Intermec Technologies Corporation; Type: 700C; Serial: 18190400042 (with 802.11bg, GSM and Bluetooth)

Communication System: GSM850; Frequency: 836.4 MHz; Duty Cycle: 1:4

Medium parameters used (interpolated): $f = 836.4$ MHz; $\sigma = 1$ mho/m; $\epsilon_r = 57.1$; $\rho = 1000$ kg/m³

Phantom section: Flat Section

Room Ambient Temperature: 23.5 deg. C; Liquid Temperature: 23.0 deg. C

DASY4 Configuration:

- Area Scan setting - Find Secondary Maximum Within: 2.0 dB and with a peak SAR value greater than 0.0012W/kg
- Probe: EX3DV3 - SN3531; ConvF(10.5, 10.5, 10.5); Calibrated: 7/18/2004
- Sensor-Surface: 2.5mm (Mechanical Surface Detection)
- Electronics: DAE3 Sn500; Calibrated: 2/7/2005
- Phantom: SAM 1; Type: SAM 1; Serial: 1185
- Measurement SW: DASY4, V4.5 Build 19; Postprocessing SW: SEMCAD, V1.8 Build 146

M-ch/Area Scan (9x17x1): Measurement grid: dx=15mm, dy=15mm

[Info: Interpolated medium parameters used for SAR evaluation!](#)

Maximum value of SAR (measured) = 0.441 mW/g

M-ch/Zoom Scan (5x5x7)/Cube 0: Measurement grid: dx=7.5mm, dy=7.5mm, dz=5mm

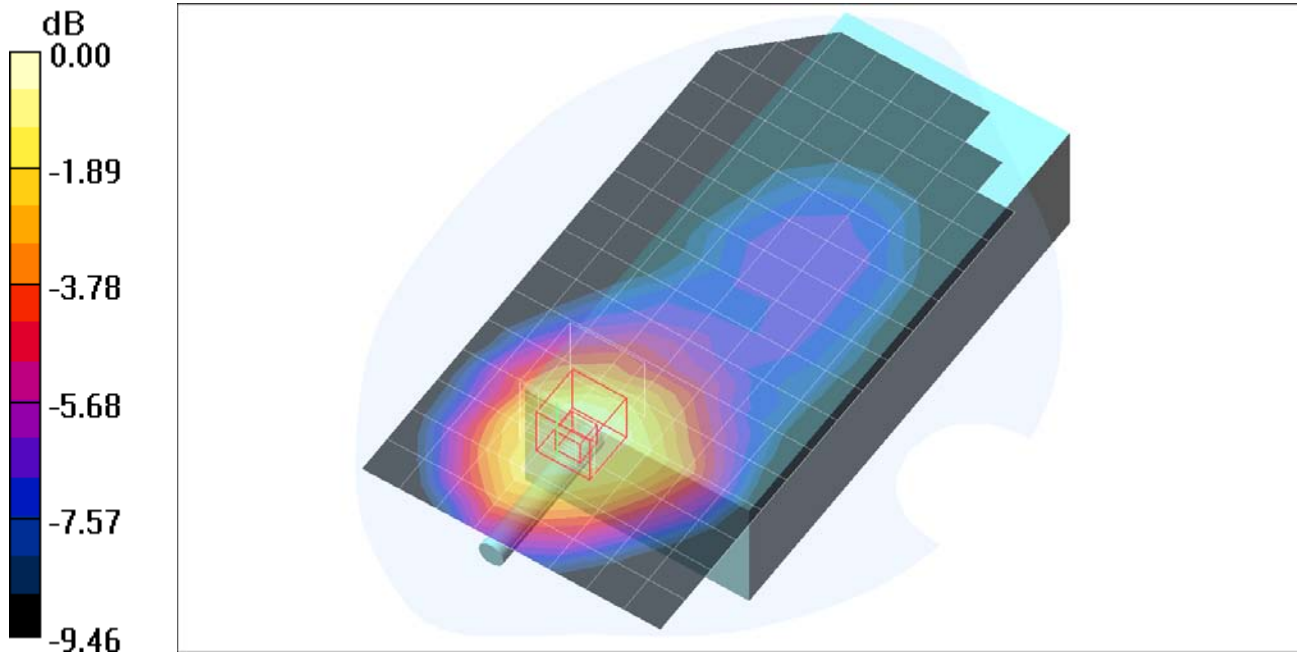
Reference Value = 11.0 V/m; Power Drift = -0.205 dB

Peak SAR (extrapolated) = 0.609 W/kg

SAR(1 g) = 0.433 mW/g; SAR(10 g) = 0.303 mW/g

[Info: Interpolated medium parameters used for SAR evaluation!](#)

Maximum value of SAR (measured) = 0.502 mW/g



Test Laboratory: Compliance Certification Services

4_Body Worn - With Holster (815-047-001)

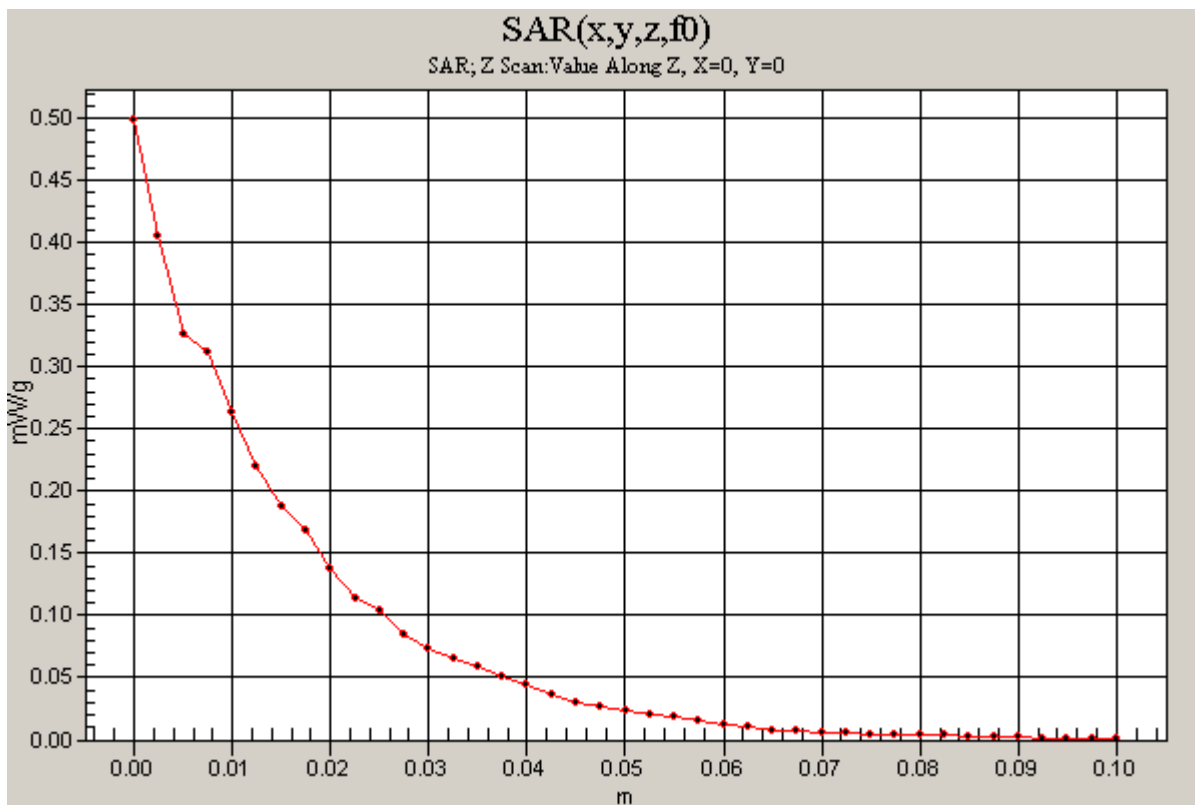
DUT: Intermec Technologies Corporation; Type: 700C; Serial: 18190400042 (with 802.11bg, GSM and Bluetooth)

Communication System: GSM850; Frequency: 836.4 MHz; Duty Cycle: 1:4

M-ch/Z Scan (1x1x41): Measurement grid: dx=20mm, dy=20mm, dz=2.5mm

[Info: Interpolated medium parameters used for SAR evaluation!](#)

Maximum value of SAR (measured) = 0.499 mW/g



Test Laboratory: Compliance Certification Services

4_Body Worn - With holster (815-047-001)

DUT: Intermec Technologies Corporation; Type: 700C; Serial: 18190400042 (with 802.11bg, GSM and Bluetooth)

Communication System: 802.11bg; Frequency: 2437 MHz; Duty Cycle: 1:1

Medium parameters used (interpolated): $f = 2437$ MHz; $\sigma = 1.99$ mho/m; $\epsilon_r = 52.1$; $\rho = 1000$ kg/m³

Phantom section: Flat Section

Room Ambient Temperature: 23.5 deg. C; Liquid Temperature: 23.0 deg. C

DASY4 Configuration:

- Area Scan setting - Find Secondary Maximum Within: 2.0 dB and with a peak SAR value greater than 0.0012W/kg
- Probe: EX3DV3 - SN3531; ConvF(8.32, 8.32, 8.32); Calibrated: 7/18/2004
- Sensor-Surface: 2.5mm (Mechanical Surface Detection)
- Electronics: DAE3 Sn500; Calibrated: 2/7/2005
- Phantom: SAM 1; Type: SAM 1; Serial: 1185
- Measurement SW: DASY4, V4.5 Build 19; Postprocessing SW: SEMCAD, V1.8 Build 146

M-ch/Area Scan (9x14x1): Measurement grid: dx=15mm, dy=15mm

[Info: Interpolated medium parameters used for SAR evaluation!](#)

Maximum value of SAR (measured) = 0.426 mW/g

M-ch/Zoom Scan (5x5x7)/Cube 0: Measurement grid: dx=7.5mm, dy=7.5mm, dz=5mm

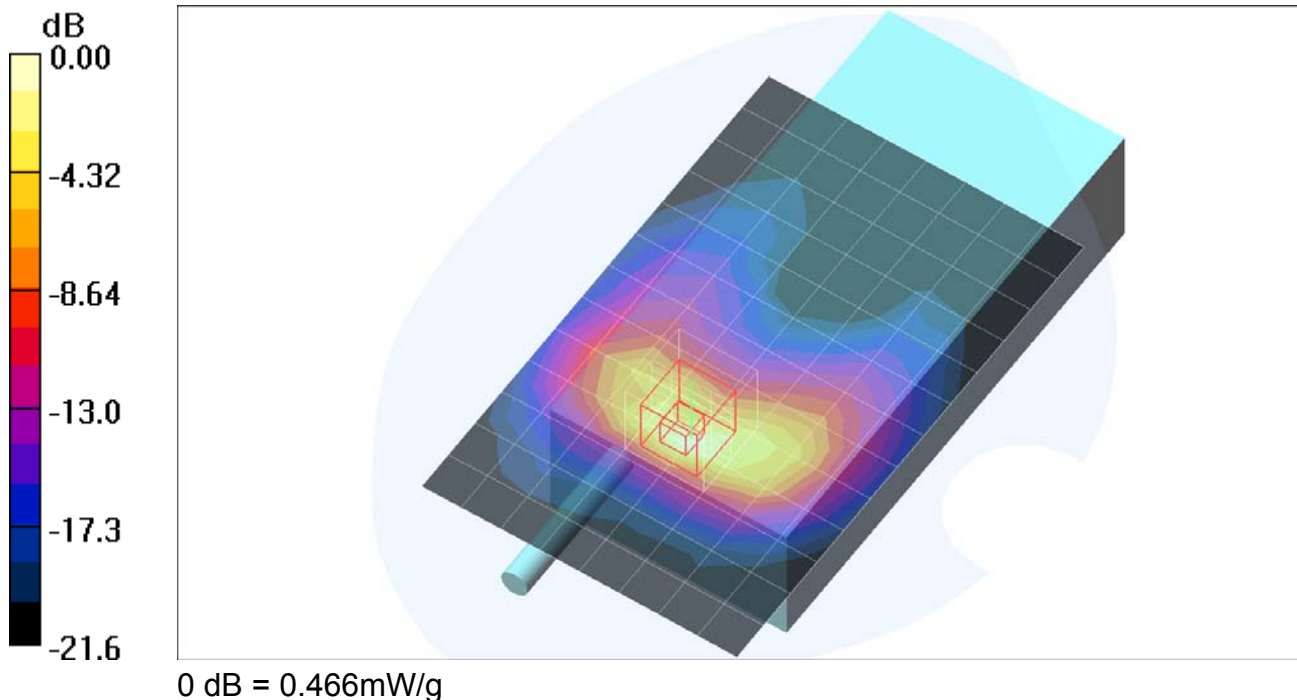
Reference Value = 3.07 V/m; Power Drift = -0.233 dB

Peak SAR (extrapolated) = 0.702 W/kg

SAR(1 g) = 0.306 mW/g; SAR(10 g) = 0.130 mW/g

[Info: Interpolated medium parameters used for SAR evaluation!](#)

Maximum value of SAR (measured) = 0.466 mW/g



Test Laboratory: Compliance Certification Services

4_Body Worn - With holster (815-047-001)

DUT: Intermec Technologies Corporation; Type: 700C; Serial: 18190400042 (with 802.11bg, GSM and Bluetooth)

Communication System: Bluetooth; Frequency: 2441 MHz; Duty Cycle: 1:1

Medium parameters used (interpolated): $f = 2441$ MHz; $\sigma = 2$ mho/m; $\epsilon_r = 52.1$; $\rho = 1000$ kg/m³

Phantom section: Flat Section

Room Ambient Temperature: 23.5 deg. C; Liquid Temperature: 23.0 deg. C

DASY4 Configuration:

- Area Scan setting - Find Secondary Maximum Within: 2.0 dB and with a peak SAR value greater than 0.0012W/kg
- Probe: EX3DV3 - SN3531; ConvF(8.32, 8.32, 8.32); Calibrated: 7/18/2004
- Sensor-Surface: 2.5mm (Mechanical Surface Detection)
- Electronics: DAE3 Sn500; Calibrated: 2/7/2005
- Phantom: SAM 1; Type: SAM 1; Serial: 1185
- Measurement SW: DASY4, V4.5 Build 19; Postprocessing SW: SEMCAD, V1.8 Build 146

M-ch/Area Scan (10x12x1): Measurement grid: dx=15mm, dy=15mm

[Info: Interpolated medium parameters used for SAR evaluation!](#)

Maximum value of SAR (measured) = 0.00 mW/g

M-ch/Zoom Scan (5x5x7)/Cube 0: Measurement grid: dx=7.5mm, dy=7.5mm, dz=5mm

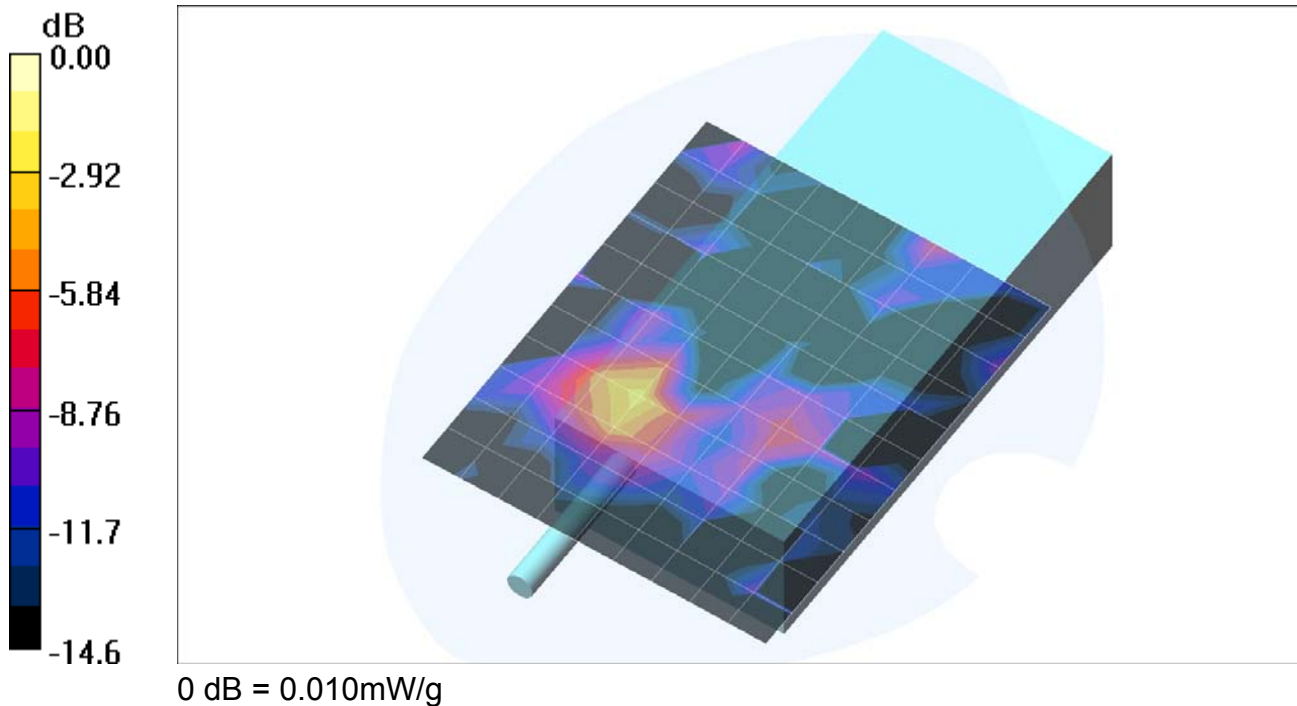
Reference Value = 0.447 V/m; Power Drift = -0.182 dB

Peak SAR (extrapolated) = 0.014 W/kg

SAR(1 g) = 0.00258 mW/g; SAR(10 g) = 0.001 mW/g

[Info: Interpolated medium parameters used for SAR evaluation!](#)

Maximum value of SAR (measured) = 0.01 mW/g



Test Laboratory: Compliance Certification Services

4_Body Worn - With holster (815-047-001)

DUT: Intermec Technologies Corporation; Type: 700C; Serial: 18190400042 (with 802.11bg, GSM and Bluetooth)

Communication System: DCS 1900; Frequency: 1880 MHz; Duty Cycle: 1:4
Medium parameters used: $f = 1880$ MHz; $\sigma = 1.52$ mho/m; $\epsilon_r = 53.6$; $\rho = 1000$ kg/m³
Phantom section: Flat Section

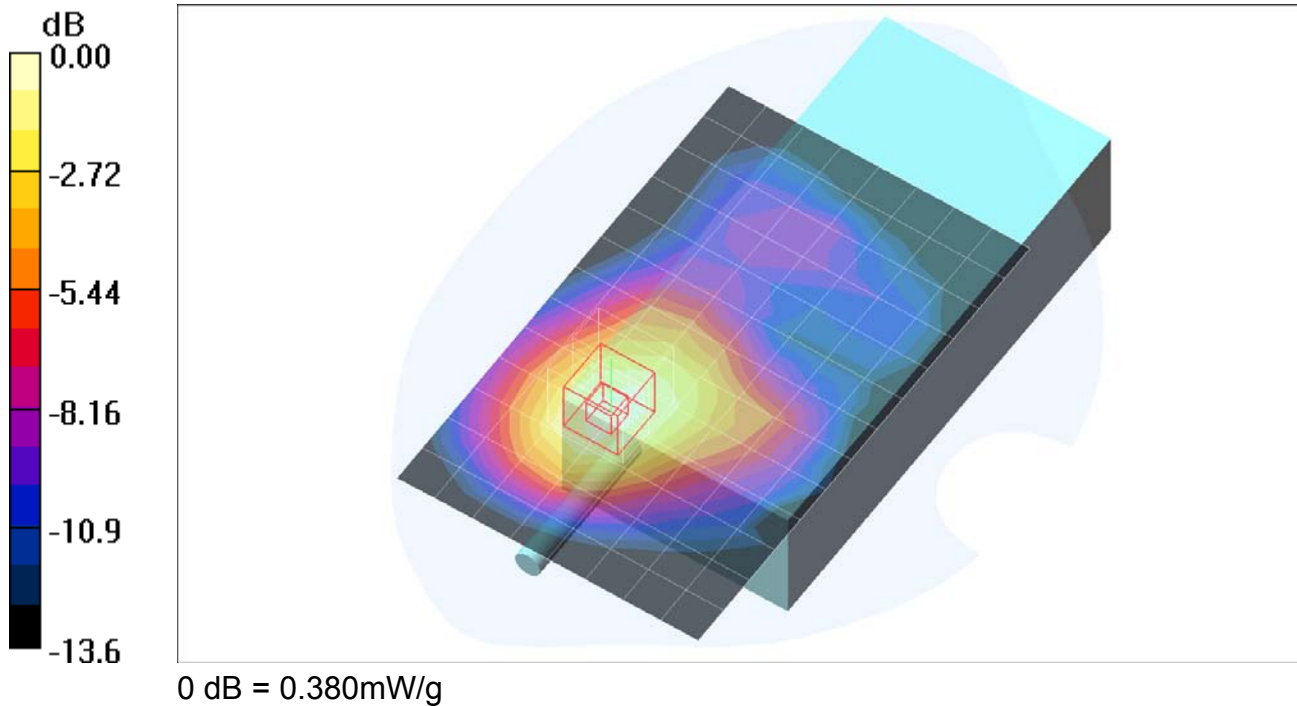
Room Ambient Temperature: 23.5 deg. C; Liquid Temperature: 23.0 deg. C

DASY4 Configuration:

- Area Scan setting - Find Secondary Maximum Within: 2.0 dB and with a peak SAR value greater than 0.0012W/kg
- Probe: EX3DV3 - SN3531; ConvF(8.1, 8.1, 8.1); Calibrated: 7/18/2004
- Sensor-Surface: 2.5mm (Mechanical Surface Detection)
- Electronics: DAE3 Sn500; Calibrated: 2/7/2005
- Phantom: SAM 1; Type: SAM 1; Serial: 1185
- Measurement SW: DASY4, V4.5 Build 19; Postprocessing SW: SEMCAD, V1.8 Build 146

M-ch/Area Scan (9x14x1): Measurement grid: dx=15mm, dy=15mm
Maximum value of SAR (measured) = 0.370 mW/g

M-ch/Zoom Scan (5x5x7)/Cube 0: Measurement grid: dx=7.5mm, dy=7.5mm, dz=5mm
Reference Value = 6.29 V/m; Power Drift = -0.167 dB
Peak SAR (extrapolated) = 0.451 W/kg
SAR(1 g) = 0.312 mW/g; SAR(10 g) = 0.199 mW/g
Maximum value of SAR (measured) = 0.380 mW/g



Test Laboratory: Compliance Certification Services

5_Body Worn - Belt-clip (805-612-001)

DUT: Intermec Technologies Corporation; Type: 700C; Serial: 18190400042 (with 802.11bg, GSM and Bluetooth)

Communication System: GSM850; Frequency: 836.4 MHz; Duty Cycle: 1:4

Medium parameters used (interpolated): $f = 836.4$ MHz; $\sigma = 1$ mho/m; $\epsilon_r = 57.1$; $\rho = 1000$ kg/m³

Phantom section: Flat Section

Room Ambient Temperature: 23.5 deg. C; Liquid Temperature: 23.0 deg. C

DASY4 Configuration:

- Area Scan setting - Find Secondary Maximum Within: 2.0 dB and with a peak SAR value greater than 0.0012W/kg
- Probe: EX3DV3 - SN3531; ConvF(10.5, 10.5, 10.5); Calibrated: 7/18/2004
- Sensor-Surface: 2.5mm (Mechanical Surface Detection)
- Electronics: DAE3 Sn500; Calibrated: 2/7/2005
- Phantom: SAM 1; Type: SAM 1; Serial: 1185
- Measurement SW: DASY4, V4.5 Build 19; Postprocessing SW: SEMCAD, V1.8 Build 146

M-ch/Area Scan (9x15x1): Measurement grid: dx=15mm, dy=15mm

[Info: Interpolated medium parameters used for SAR evaluation!](#)

Maximum value of SAR (measured) = 0.204 mW/g

M-ch/Zoom Scan (5x5x7)/Cube 0: Measurement grid: dx=7.5mm, dy=7.5mm, dz=5mm

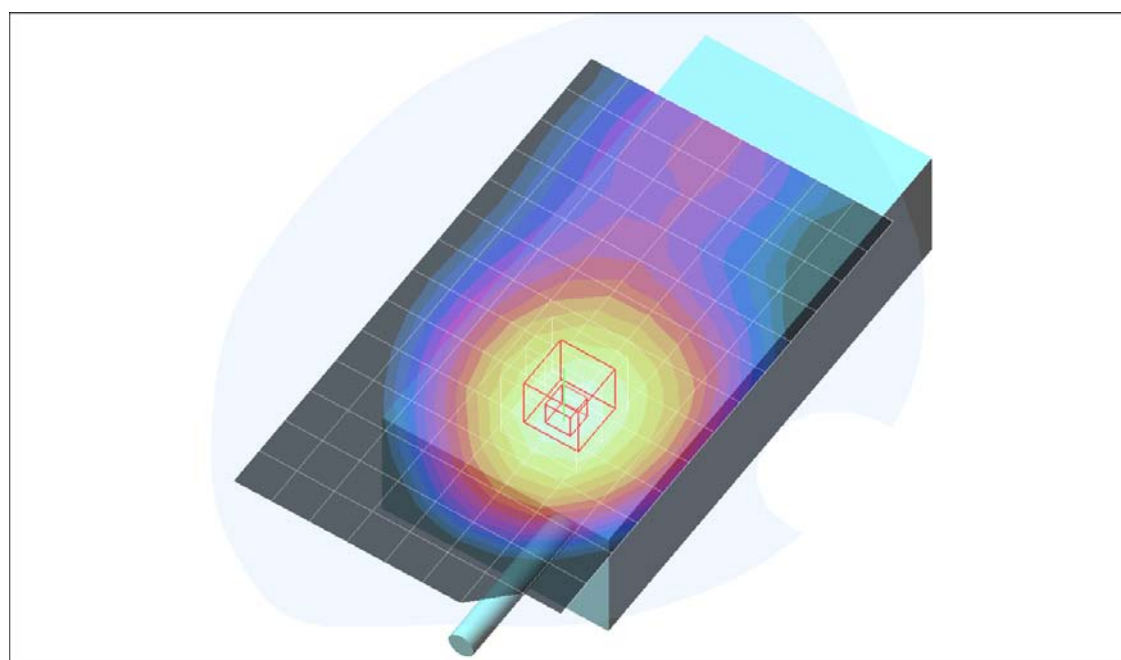
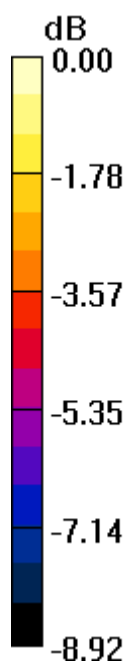
Reference Value = 12.0 V/m; Power Drift = -0.199 dB

Peak SAR (extrapolated) = 0.241 W/kg

SAR(1 g) = 0.176 mW/g; SAR(10 g) = 0.126 mW/g

[Info: Interpolated medium parameters used for SAR evaluation!](#)

Maximum value of SAR (measured) = 0.207 mW/g



0 dB = 0.207mW/g

Test Laboratory: Compliance Certification Services

5_Body Worn - Belt-clip (805-612-001)

DUT: Intermec Technologies Corporation; Type: 700C; Serial: 18190400042 (with 802.11bg, GSM and Bluetooth)

Communication System: 802.11bg; Frequency: 2437 MHz; Duty Cycle: 1:1

Medium parameters used (interpolated): $f = 2437$ MHz; $\sigma = 1.99$ mho/m; $\epsilon_r = 52.1$; $\rho = 1000$ kg/m³

Phantom section: Flat Section

Room Ambient Temperature: 23.5 deg. C; Liquid Temperature: 23.0 deg. C

DASY4 Configuration:

- Area Scan setting - Find Secondary Maximum Within: 2.0 dB and with a peak SAR value greater than 0.0012W/kg
- Probe: EX3DV3 - SN3531; ConvF(8.32, 8.32, 8.32); Calibrated: 7/18/2004
- Sensor-Surface: 2.5mm (Mechanical Surface Detection)
- Electronics: DAE3 Sn500; Calibrated: 2/7/2005
- Phantom: SAM 1; Type: SAM 1; Serial: 1185
- Measurement SW: DASY4, V4.5 Build 19; Postprocessing SW: SEMCAD, V1.8 Build 146

M-ch/Area Scan (9x14x1): Measurement grid: dx=15mm, dy=15mm

[Info: Interpolated medium parameters used for SAR evaluation!](#)

Maximum value of SAR (measured) = 0.059 mW/g

M-ch/Zoom Scan (5x5x7)/Cube 0: Measurement grid: dx=7.5mm, dy=7.5mm, dz=5mm

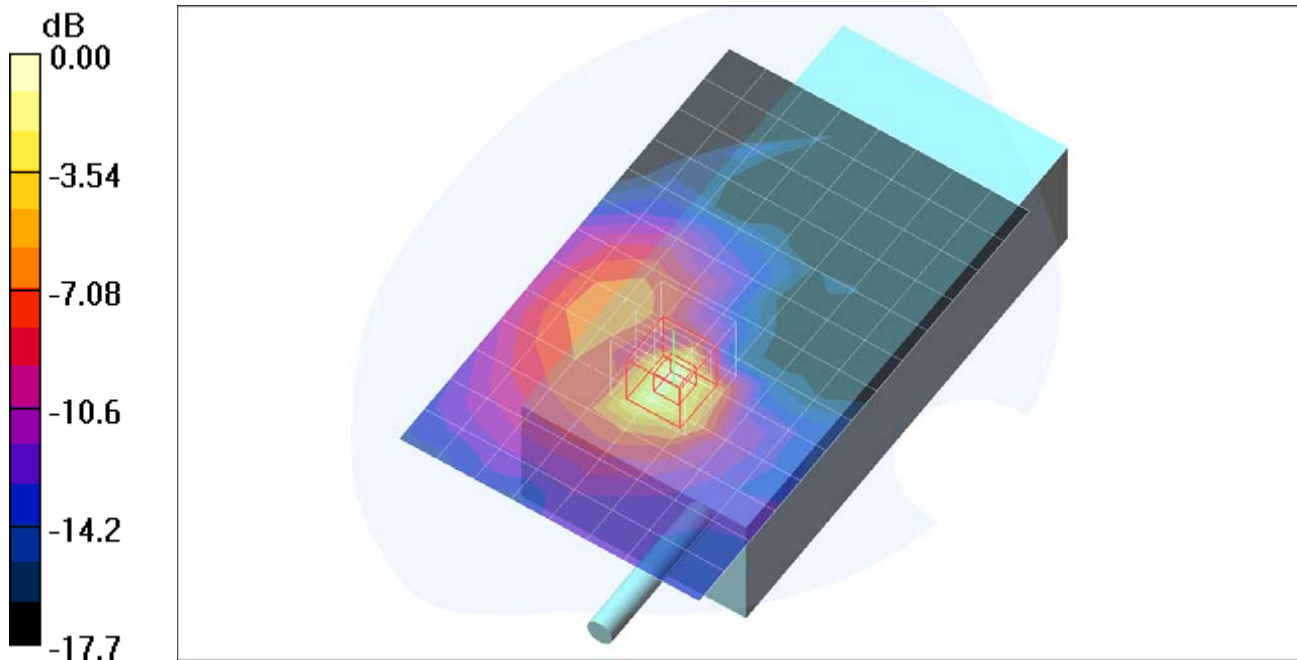
Reference Value = 1.52 V/m; Power Drift = -0.262 dB

Peak SAR (extrapolated) = 0.100 W/kg

SAR(1 g) = 0.053 mW/g; SAR(10 g) = 0.026 mW/g

[Info: Interpolated medium parameters used for SAR evaluation!](#)

Maximum value of SAR (measured) = 0.071 mW/g



0 dB = 0.071mW/g

Test Laboratory: Compliance Certification Services

5_Body Worn - Belt-clip (805-612-001)

DUT: Intermec Technologies Corporation; Type: 700C; Serial: 18190400042 (with 802.11bg, GSM and Bluetooth)

Communication System: Bluetooth; Frequency: 2441 MHz; Duty Cycle: 1:1

Medium parameters used (interpolated): $f = 2441$ MHz; $\sigma = 2$ mho/m; $\epsilon_r = 52.1$; $\rho = 1000$ kg/m³

Phantom section: Flat Section

Room Ambient Temperature: 23.5 deg. C; Liquid Temperature: 23.0 deg. C

DASY4 Configuration:

- Area Scan setting - Find Secondary Maximum Within: 2.0 dB and with a peak SAR value greater than 0.0012W/kg
- Probe: EX3DV3 - SN3531; ConvF(8.32, 8.32, 8.32); Calibrated: 7/18/2004
- Sensor-Surface: 2.5mm (Mechanical Surface Detection)
- Electronics: DAE3 Sn500; Calibrated: 2/7/2005
- Phantom: SAM 1; Type: SAM 1; Serial: 1185
- Measurement SW: DASY4, V4.5 Build 19; Postprocessing SW: SEMCAD, V1.8 Build 146

M-ch/Area Scan (10x13x1): Measurement grid: dx=15mm, dy=15mm

[Info: Interpolated medium parameters used for SAR evaluation!](#)

Maximum value of SAR (measured) = 0.013 mW/g

M-ch/Zoom Scan (5x5x7)/Cube 0: Measurement grid: dx=7.5mm, dy=7.5mm, dz=5mm

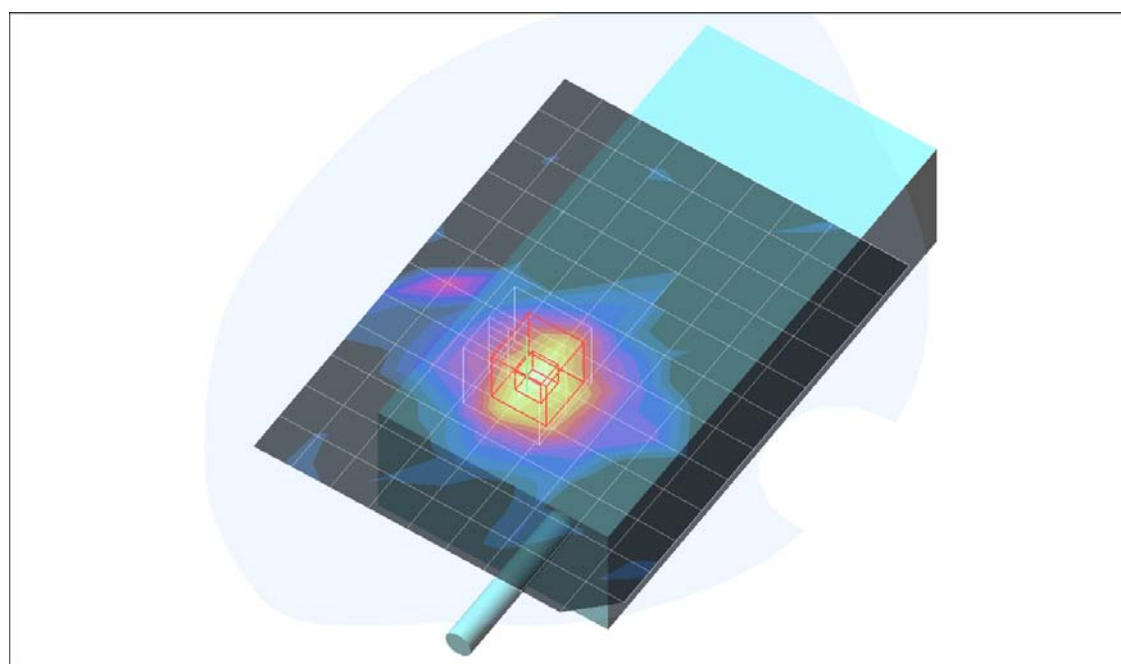
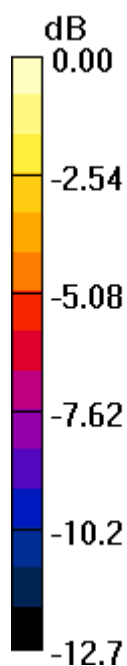
Reference Value = 1.21 V/m; Power Drift = -0.145 dB

Peak SAR (extrapolated) = 0.020 W/kg

SAR(1 g) = 0.011 mW/g; SAR(10 g) = 0.0049 mW/g

[Info: Interpolated medium parameters used for SAR evaluation!](#)

Maximum value of SAR (measured) = 0.014 mW/g



0 dB = 0.014mW/g

Test Laboratory: Compliance Certification Services

5_Body Worn - Belt-clip (805-612-001)

DUT: Intermec Technologies Corporation; Type: 700C; Serial: 18190400042 (with 802.11bg, GSM and Bluetooth)

Communication System: DCS 1900; Frequency: 1880 MHz; Duty Cycle: 1:4
Medium parameters used: $f = 1880$ MHz; $\sigma = 1.52$ mho/m; $\epsilon_r = 53.6$; $\rho = 1000$ kg/m³
Phantom section: Flat Section

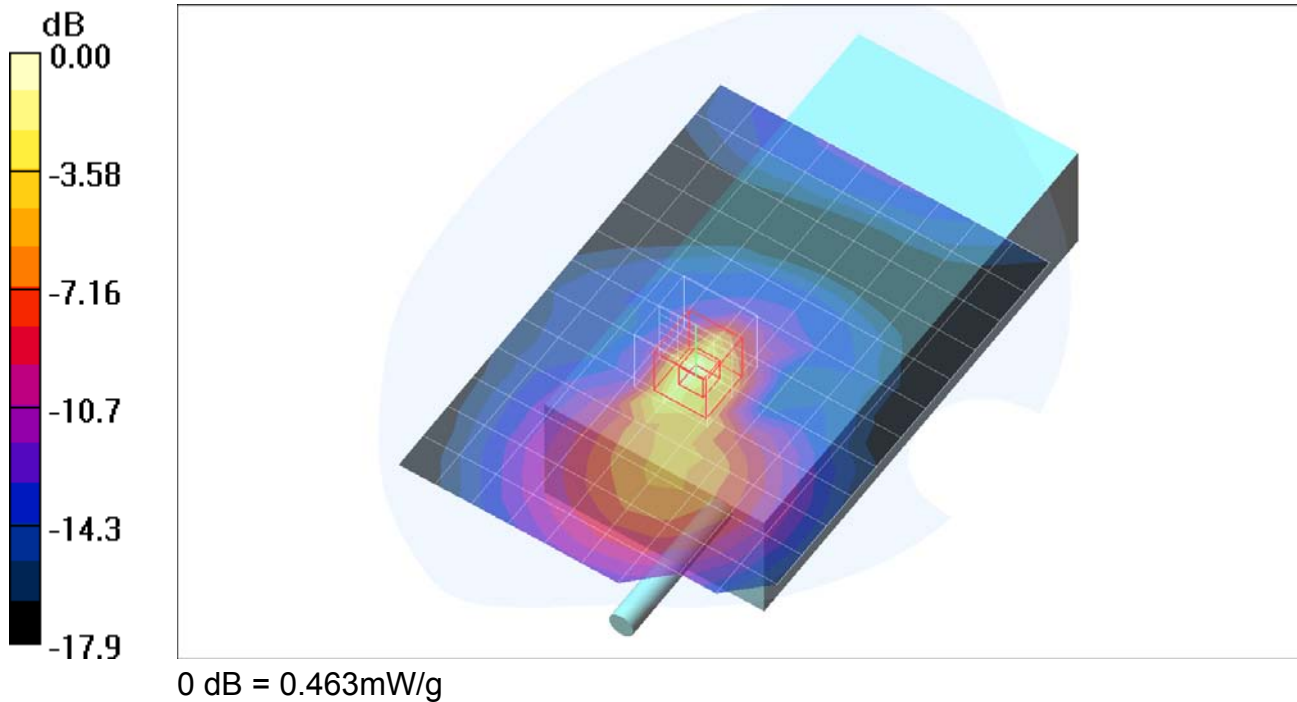
Room Ambient Temperature: 23.5 deg. C; Liquid Temperature: 23.0 deg. C

DASY4 Configuration:

- Area Scan setting - Find Secondary Maximum Within: 2.0 dB and with a peak SAR value greater than 0.0012W/kg
- Probe: EX3DV3 - SN3531; ConvF(8.1, 8.1, 8.1); Calibrated: 7/18/2004
- Sensor-Surface: 2.5mm (Mechanical Surface Detection)
- Electronics: DAE3 Sn500; Calibrated: 2/7/2005
- Phantom: SAM 1; Type: SAM 1; Serial: 1185
- Measurement SW: DASY4, V4.5 Build 19; Postprocessing SW: SEMCAD, V1.8 Build 146

M-ch/Area Scan (10x14x1): Measurement grid: dx=15mm, dy=15mm
Maximum value of SAR (measured) = 0.391 mW/g

M-ch/Zoom Scan (5x5x7)/Cube 0: Measurement grid: dx=7.5mm, dy=7.5mm, dz=5mm
Reference Value = 4.43 V/m; Power Drift = -0.127 dB
Peak SAR (extrapolated) = 0.593 W/kg
SAR(1 g) = 0.346 mW/g; SAR(10 g) = 0.166 mW/g
Maximum value of SAR (measured) = 0.463 mW/g



Test Laboratory: Compliance Certification Services

5_Body Worn - Belt-clip (805-612-001)

DUT: Intermec Technologies Corporation; Type: 700C; Serial: 18190400042 (with 802.11bg, GSM and Bluetooth)

Communication System: DCS 1900; Frequency: 1880 MHz;Duty Cycle: 1:4

M-ch/Z Scan (1x1x41): Measurement grid: dx=20mm, dy=20mm, dz=2.5mm
Maximum value of SAR (measured) = 0.486 mW/g

