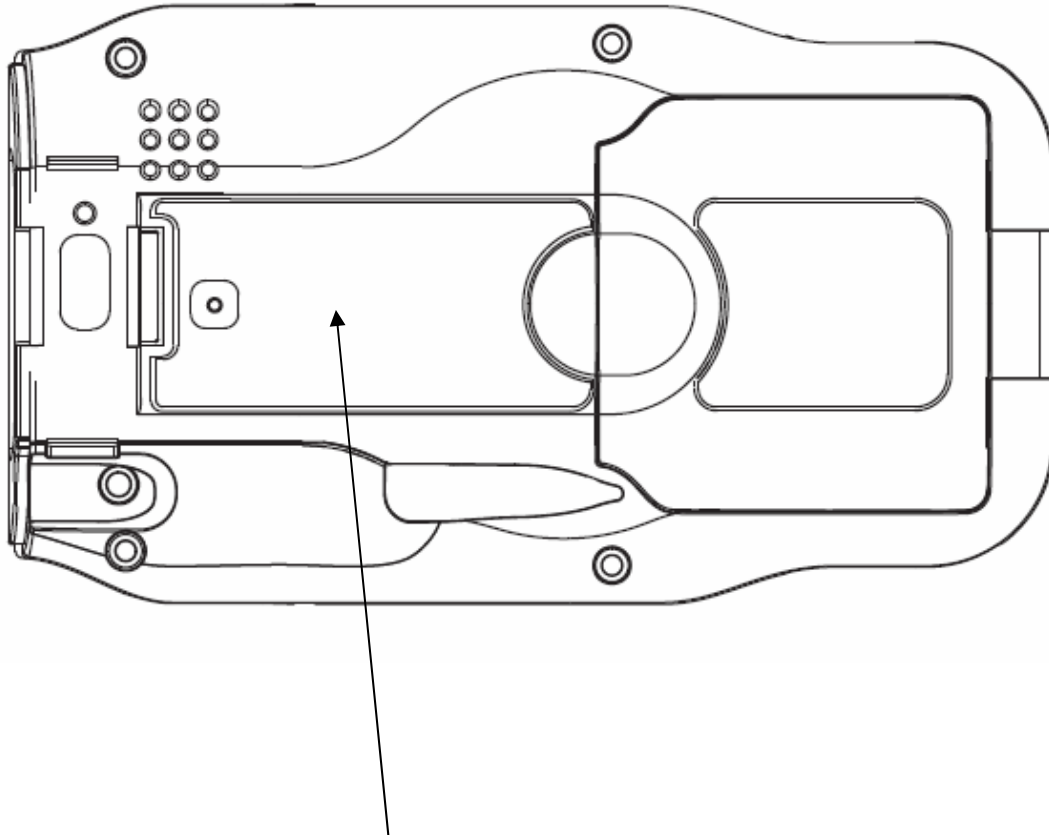


FCC Product Label



Intermec Technologies Corp.
Everett, WA 98203

Model: CN2B

CONTAINS TX FCC ID: EHADRCB
CONTAINS TX FCC ID: EHABTM210

IC: 1223A-DRCB
IC: 1223A-BTM210

IC: ICES-003 CLASS B

Made in U.S.A.  5V 2A



LISTED



I.T.E. 729T