



RF EXPOSURE REPORT

REPORT NO.: SA961114L16I

MODEL NO.: CK60

ACCORDING: FCC Guidelines for Human Exposure
IEEE C95.1

APPLICANT: Intermec Technologies Corporation

ADDRESS: 550 Second street SE, Cedar Rapids, IA 52401,
USA

ISSUED BY: Advance Data Technology Corporation

LAB ADDRESS: No. 47, 14th Ling, Chia Pau Tsuen, Lin Kou Hsiang
244, Taipei Hsien, Taiwan, R.O.C.

TEST LOCATION: No. 19, Hwa Ya 2nd Rd., Wen Hwa Tsuen, Kwei
Shan Hsiang, Taoyuan Hsien 333, Taiwan, R.O.C.



Collocated Bluetooth Printer (FCC ID: EHA-RN41A) information:

1. Maximum measured transmitter power:

	Pout (dBm)	Pout (mW)
Conducted Power	8.68	7.379
EIRP Power	5.85	3.846

*Note: The antenna is chip antenna with -2.83dBi gain.
 Threshold for no SAR evaluation is 24.58mW
 Transmitter power is 3.846mW

2. The closest antenna separation distance from Bluetooth antenna in the EUT (Pw50 Workboard Printer) to the antennas of PDA = 5.05cm. (Please refer to appendix A at end of this document for detail).

3. EUT is collocated with following 8 PDAs (actually are 3 different platforms with different configuration of radio).

ITEM	MODEL	FCC ID	FUNCTION	REMARK
1	CN3	EHA-01CN3	WLAN+BT	Interface 1 (small interface)
2		EHA-02CN3	WLAN+BT+CDMA	
3		EHA-03CN3	WLAN+BT+GSM	
4	CN3e	EHA-06CN3	WLAN+BT	
5		EHA-07CN3	WLAN+BT+CDMA	
6		EHA-08CN3	WLAN+BT+GSM	
7	CK60	EHA802UIAG	WLAN abg	Interface 2 (large interface)
8	CK60 BT	HN2-BTM311	BT	

*PDA only for test support unit and supply by client.

And according to the FCC "SAR Evaluation Considerations for Handsets with Multiple Transmitters and Antennas" dated Feb 2008, both stand-alone SAR and simultaneous transmission SAR are not required if following conditions met:

- a). When the output of an unlicensed transmitter is $\leq P_{Ref}$ and its antenna(s) is > 2.5 cm from other antennas, stand-alone SAR evaluation is not required for that unlicensed transmitter.
- b). When stand-alone SAR evaluation is not required and the antenna is > 5 cm from other antennas, simultaneous transmission SAR evaluation is also not required for that antenna.

Therefore, proposed Workboard Printer with 7 specific PDAs comply with the RF exposure requirement and do not need further RF exposure assessment.

Appendix: Detailed EUT photos and minimum antenna separation distance

Pw50 with CN3



Pw50 with Cn3e



Pw50 with CK60 (contains FCC IC: EHA802UIAG or FCC ID: HN2-BTM311 module)



Pw50



A

B

C

D

E

F

G

H

I

J

K

REV	REVISION SUMMARY	APPROVED	DATE

1

2

3

4

5

6

7

8

802.11 ANTENNA

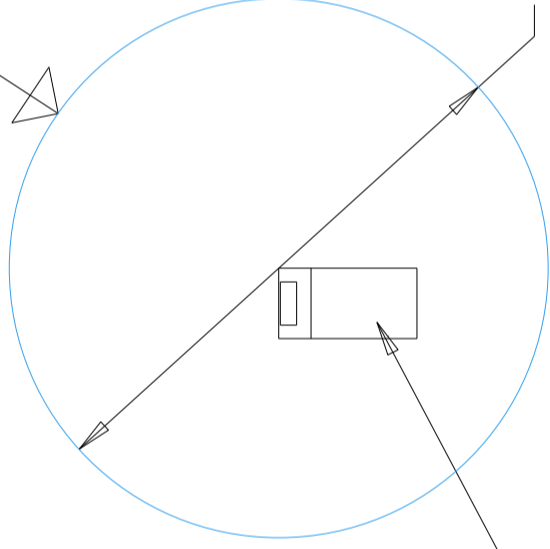
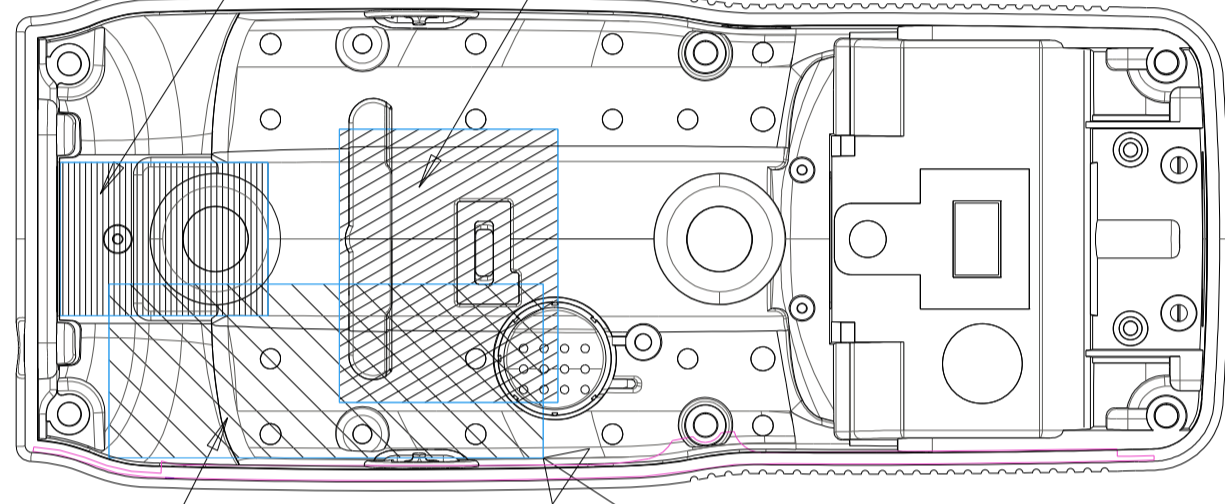
BT RADIO AND ANTENNA MODULE

802.11 RADIO MODULE

MIN DISTANCE: 84.3MM

BT Module

Ø 100



DO NOT SCALE THIS
METRIC
DRAWING

UNLESS OTHERWISE SPECIFIED - DIMENSIONS ARE IN MILLIMETERS - THIRD ANGLE PROJECTION		ITEM QTY	PART / MATL DESCRIPTION	MATL PART NO.	MATL DRAWING NO.	MATL SPEC
APPROVED	VENTURE	DATE	TBD	TBD	TBD	TBD
RELEASE TO PRODUCTION	VENTURE	DATE	TBD	TBD	TBD	TBD
TOLERANCES			TITLE CK60 PDA AND BT MODULE			
FEATURE SIZE	PART NUMBER					
0-20	±0.20	20-100	±0.10	100-200	±0.20	SCALE SHEET
XX	±0.05	±0.07	±0.10	±0.20	±0.50	1
XXX	±0.02	±0.03	±0.05	±0.10	±0.50	DRAWING NUMBER
XXXX	±0.01	±0.02	±0.03	±0.06	±0.50	TBD
						TBD
						TBD

A

B

C

D

E

F

G

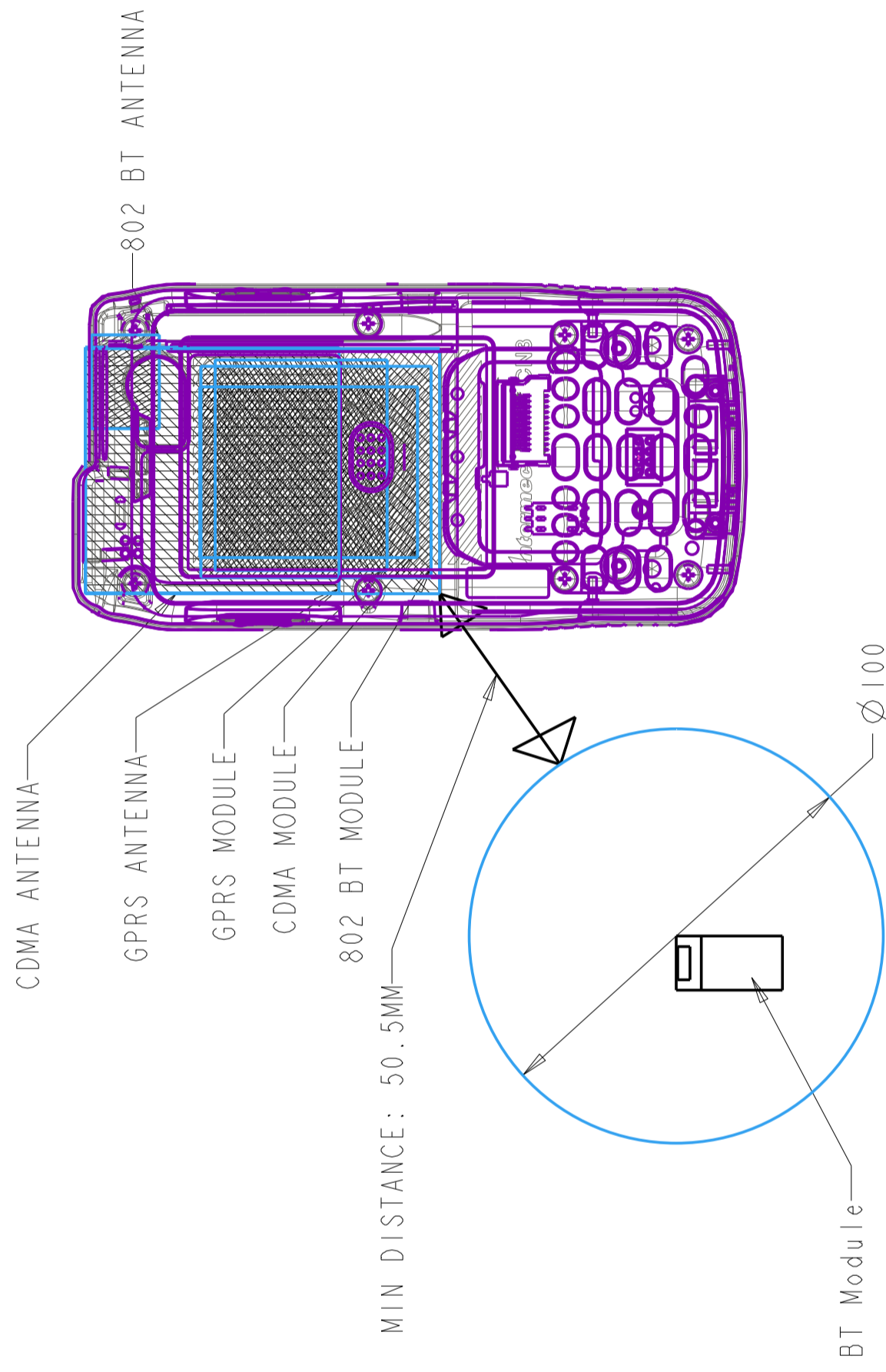
H

I

J

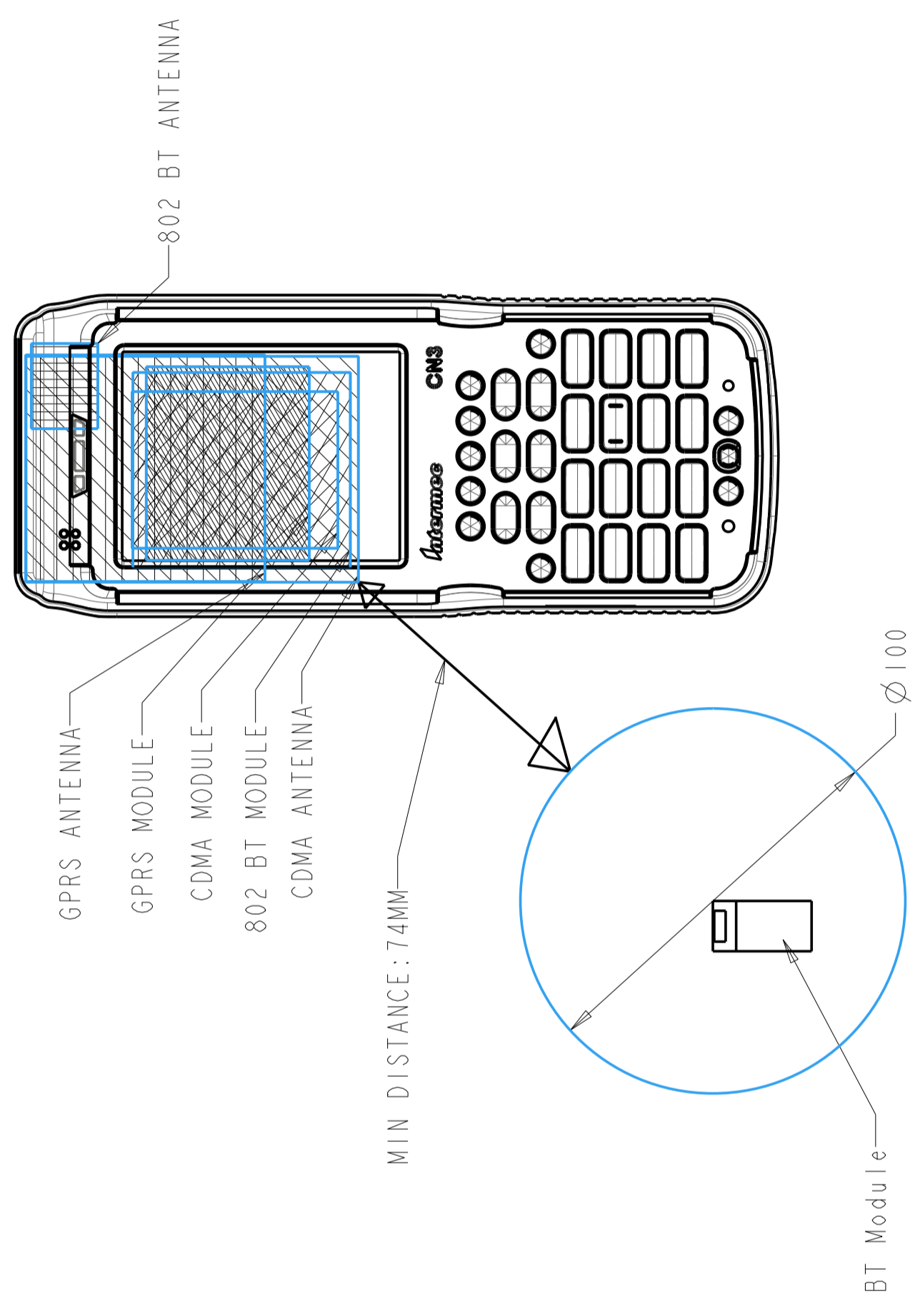
K

REV	REVISION SUMMARY	APPROVED	DATE



DO NOT SCALE THIS
METRIC
 DRAWING

UNLESS OTHERWISE SPECIFIED - DIMENSIONS ARE IN MILLIMETRES - THIRD ANGLE PROJECTION	ITEM QTY	TBD	TBD	TBD	TBD	TBD	TBD	TBD
	DRAWN BY	VENTURE	DATE	TBD	MATL PART NO.	TBD	MATL DRAWING NO.	TBD
-TOLERANCES	APPROVED	VENTURE	DATE	TBD	TITLE			
	RELEASE TO PRODUCTION	VENTURE	DATE	TBD	CN3 PDA & BT MODULE			
FEATURE SIZE	0-20	±0.20	20-100	±0.10	100-200	±0.20	SCALE (SHEET	
XX	±0.05	±0.07	±0.10	±0.10	PART NUMBER		TBD	OF
XXX	±0.02	±0.03	±0.05	±0.10	DRAWING NUMBER		TBD	I
XXXX	±0.01	±0.02	±0.03	±0.08	DRAWING NUMBER		TBD	I



DO NOT SCALE THIS
METRIC
 DRAWING

UNLESS OTHERWISE SPECIFIED DIMENSIONS ARE IN MILLIMETRES THIRD ANGLE PROJECTION		ITEM QTY	PART / MATL DESCRIPTION	MATL PART NO.	MATL DRAWING NO.	MATL SPEC
APPROVED	VENTURE	DATE	TBD	TBD	TBD	TBD
RELEASE TO PRODUCTION	VENTURE	DATE	TBD	TBD	TBD	TBD
TITLE			CN3E PDA & BT MODULE			
PART NUMBER			TBD			
DRAWING NUMBER			TBD			
SCALE SHEET			0.750			
OF			1			



Separation distance when PDA is installed in the printer docking.

