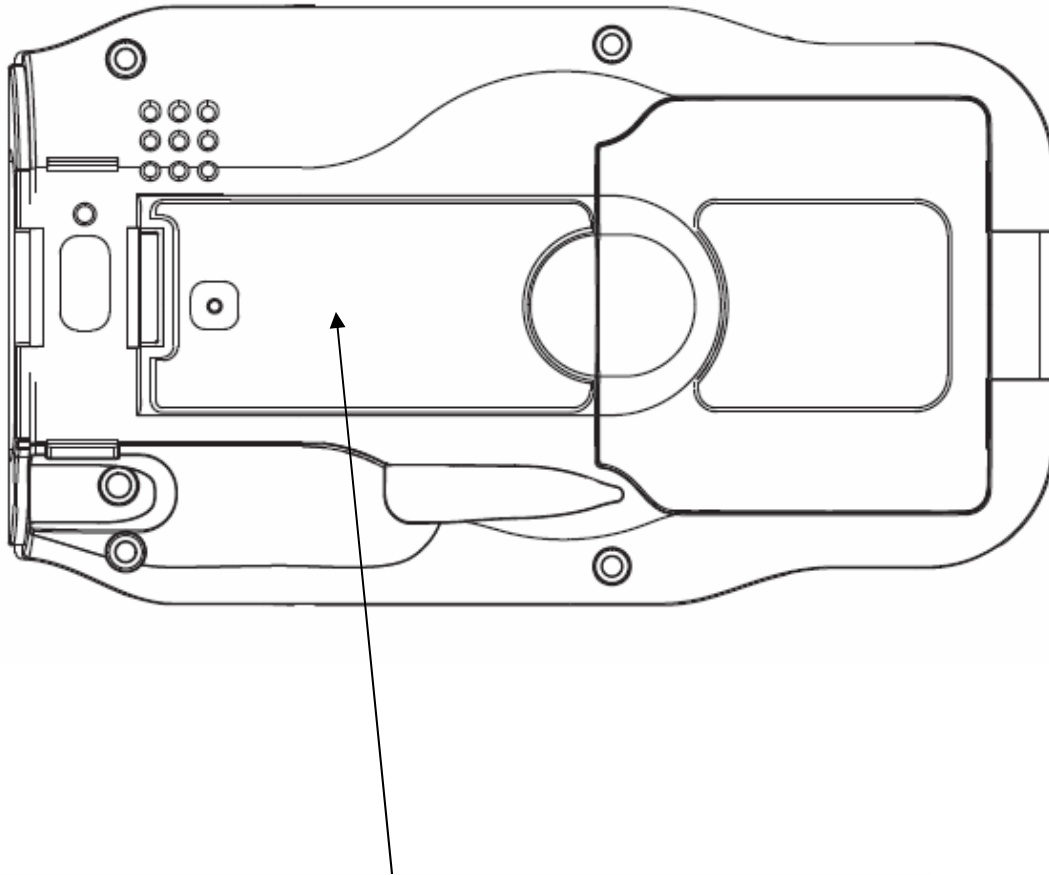


**FCC Product Label**



**Intermec Technologies Corp**      **Model: CN2NI**  
Everett, WA 98203

Made in U.S.A.      **CE 0981** 

 CONTAINS TX FCC ID: EHA2610CF       N309  
IC: 1223A-2610CF       5V 2A  
IC: ICES-003 CLASS A

 **UL** **us**  
57LM  
LISTED  
HANDHELD COMPUTER

For use in Class I Division 2, Groups - A, B, C, D;  
Class II, Division 2, Groups - F, G; Class III, Division 2.  
T6 50°C Max Ambient

This device complies with Part 15 of the FCC Rules.  
**Caution: Use only Intermec battery 074201**