

APPROVED SOURCE(S) OF SUPPLY

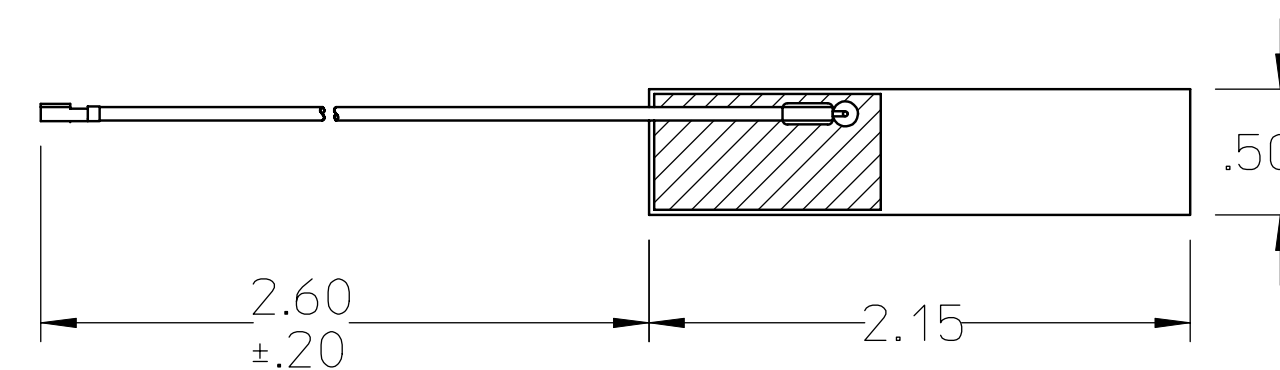
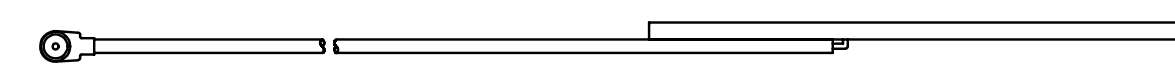
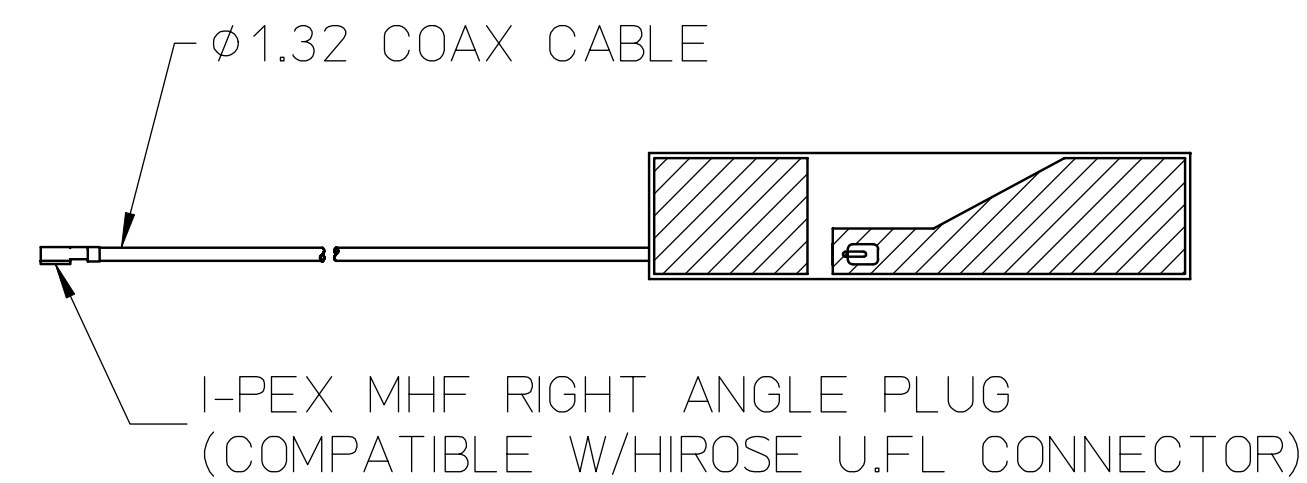
SUPPLIER	PART NUMBER
1. CENTURION WIRELESS TECH. INC	CAF94656
2.	
3.	
4.	
5.	
6.	

REVISIONS

REV	ECN	ZONE	DESCRIPTION	DATE	DRAWN & APPROVED
01			INITIAL DRAWING CREATION		
02			PRE-RELEASE	01-31-05	C.MILLER
03			PRE-RELEASE #2		
A			-001 RELEASED AT REV A		

NOTES: UNLESS OTHERWISE SPECIFIED

- FREQUENCY RANGE: 2.4 - 2.5 Ghz
- CHANGES REQUIRE SAC APPROVAL.
- PACKAGING REQUIREMENTS: PACKAGE PARTS TO ALLOW SHIPMENT WITHOUT DAMAGE. MARK SHIPPING CONTAINER WITH 074660 AND DASH NUMBER TO WHICH MANUFACTURED PER SPECIFICATION 606427.
- COUNTRY OF ORIGIN REQUIREMENTS SHALL CONFORM TO THE LATEST REVISION OF DOCUMENT 609030.



Antenna Gain = +2 dBi

RELEASED
SOURCE CONTROL DRAWING

-001

					REVISION	REV STATUS
5	4	3	2	1	SHEET	OF SHEETS

NOTICE
THIS DRAWING SHALL NOT BE DUPLICATED OR USED FOR ANY PURPOSE OTHER THAN THAT FOR WHICH PROVIDED. THE INFORMATION DISCLOSED HEREIN ORIGINATED BY AND IS THE PROPERTY OF INTERMEC TECHNOLOGIES CORPORATION AND EXCEPT FOR RIGHTS EXPRESSLY GRANTED BY WRITTEN CONSENT, SUCH INFORMATION SHALL NOT BE DISCLOSED OR DISSEMINATED WHOLE OR IN PART. INTERMEC TECHNOLOGIES CORPORATION RESERVES ALL PATENT, COPYRIGHT, TRADEMARK, PROPRIETARY, DESIGN, MASK WORK, USE, SALE, MANUFACTURING, REPRODUCTION AND OTHER INTELLECTUAL PROPERTY RIGHTS THERETO.

CAD_DB.REF- 075306.1.a
SYSTEM - HP-ME10

UNLESS OTHERWISE SPECIFIED, DIMENSIONS ARE IN INCHES.

.X ± .1
.XX ± .01
.XXX ± .005
ANGLES ± .5°

APPROVALS		DATE
DRAWN	C.MILLER	01-31-05
CHECKED	G.RAVEN	2-24-05
RESP ENG	C.MILLER	2-24-05
QA	A.PHILLIPS	2-24-05
MFG ENG	RICK C.	3-4-05
SAC	O.DREW	2-25-05

Intermec Technologies Corporation
6001 36TH AVENUE WEST
EVERETT, WA 98203

TITLE
ANTENNA ASSEMBLY, 802.11G,CN2

SIZE	CAGE CODE	DRAWING NUMBER
C	33825	075306

SCALE 1/1 USED ON CN2 SHEET 1 OF 1