



COMPONENT SPECIFICATION

APPROVED SUPPLIERS

Manufacturer	Address/Telephone	805-625	Manufacturer's Part No.
Centurion International, Inc.	P.O. Box 82846 Lincoln, NE 68501 (402) 467-4491	-001	CAF94665

- 1.0 Scope:** This specification describes the requirements for a 2.4 GHz, slot F antenna assembly designed for use in Model 700 applications as follows:

<u>Part No.</u>	<u>Radio Interconnection</u>	<u>Cable Length</u>
-001	pendant Murata GSC type R/A plug	2.25 inch

- 2.0 Quality Assurance:** Intermec Receiving Inspection reserves the right to use AQL sampling techniques when inspecting a lot.
- 3.0 Packaging:** All antennas will be packaged in containers capable of protecting them from damage in common carrier shipping and handling.
- 4.0 Markings:** Each antenna will be labeled with the Intermec part number on a non-metallic label applied to the top surface (same side as pads). Each shipping container will be labeled or otherwise marked with the manufacturer's name or trademark, and the catalog designation. Major shipping cartons will be marked to include the Intermec part number.

REVISION HISTORY

Rev.	File No.	Description of Change	Date	Approved
A	C4281	Release	6/01/04	JS

REVISION LEVEL	A	A	A	A																																			
SHEET NUMBER	1	2	3	4	5	6	7	8	9	10	11	12	13	14	15	16	17	18	19	20	21	22	23	24	25														
COMPONENT ENGR.	DATE				Intermec Technologies Corp.										TITLE																								
J. McROBERTS	5/28/04														SLOT F ANTENNA ASSEMBLY, 2.4 GHz																								
COGNIZANT ENGR.	DATE				550 Second Street S.E.										DRAWING NO.																								
S. KELLY	- - -				Cedar Rapids, IA 52401										805-625-001																								
APPROVED	DATE				Telephone No. (319) 369-3100										Sheet 1 Of 4																								
K. VORHIES by JS	6/01/04				Facsimile No. (319) 369-3453																																		

5.0 Antenna Specifications:

- 5.1 Nominal Frequency: 2.45 GHz
- 5.2 Frequency Range: 2400 MHz to 2500 MHz
- 5.3 Antenna Gain: -4 dBi nominal, -15dBi minimum
- 5.4 Return Loss: -10 dB maximum
- 5.5 Power: Not specified
- 5.6 Polarization: Linear
- 5.7 Nominal Impedance: 50 Ohms

6.0 Mechanical Ratings:

- 6.1 Antenna Weight: Not specified
- 6.2 Ambient Operating Temperature: -20°C to +50°C
- 6.3 Shock and Vibration Rating: Not specified

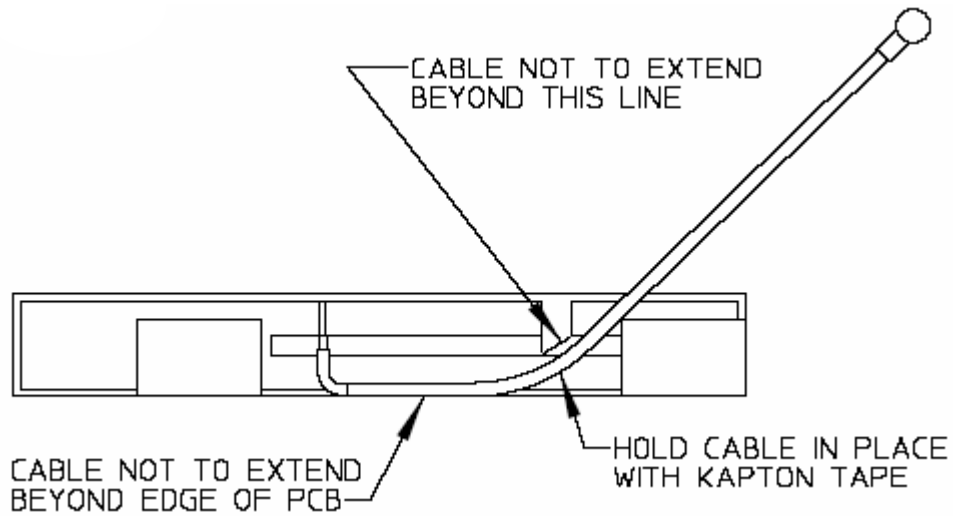
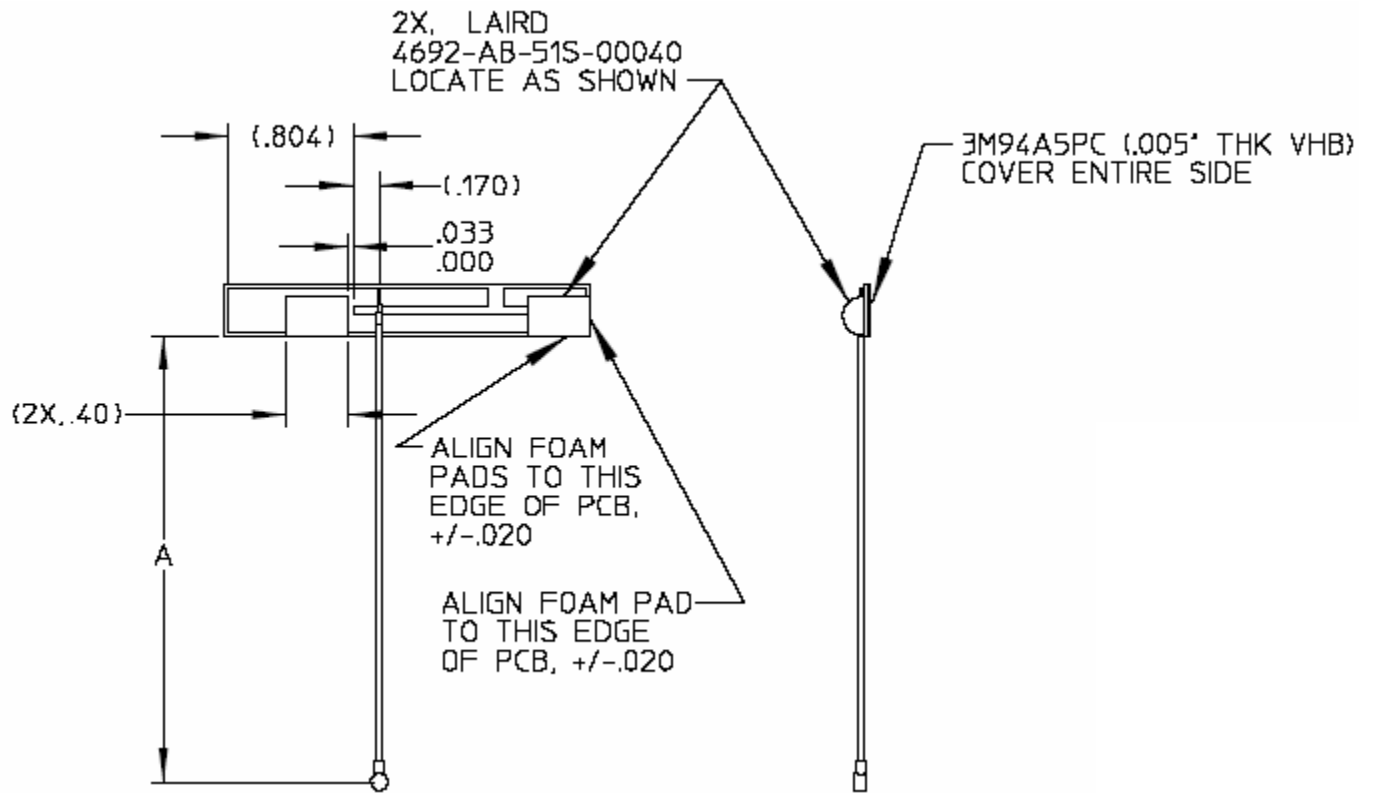
7.0 Materials:

- 7.1 Printed Circuit Board (PCB): FR4 with 1 oz. copper
- 7.2 Printed Circuit Board Dimensions: 2.347 by .330 inches
- 7.3 Coaxial Interconnection Means: Miniature coaxial cable, length per parts tabulation below
- 7.4 Coaxial Connection: See parts tabulation below

8.0 Parts Tabulation (Inch):

<u>Part Number</u>	<u>Coaxial Connector</u>	<u>Coaxial Cable Type</u>	<u>Cable Length, A</u>
-001	Murata GSC plug	single shield, Ø.016	2.25 +.25/-.12

9.0 Outline Drawing (mm):



CABLE ROUTING VIEW

9.1 Cable Preassembly Detail Drawing (mm):

