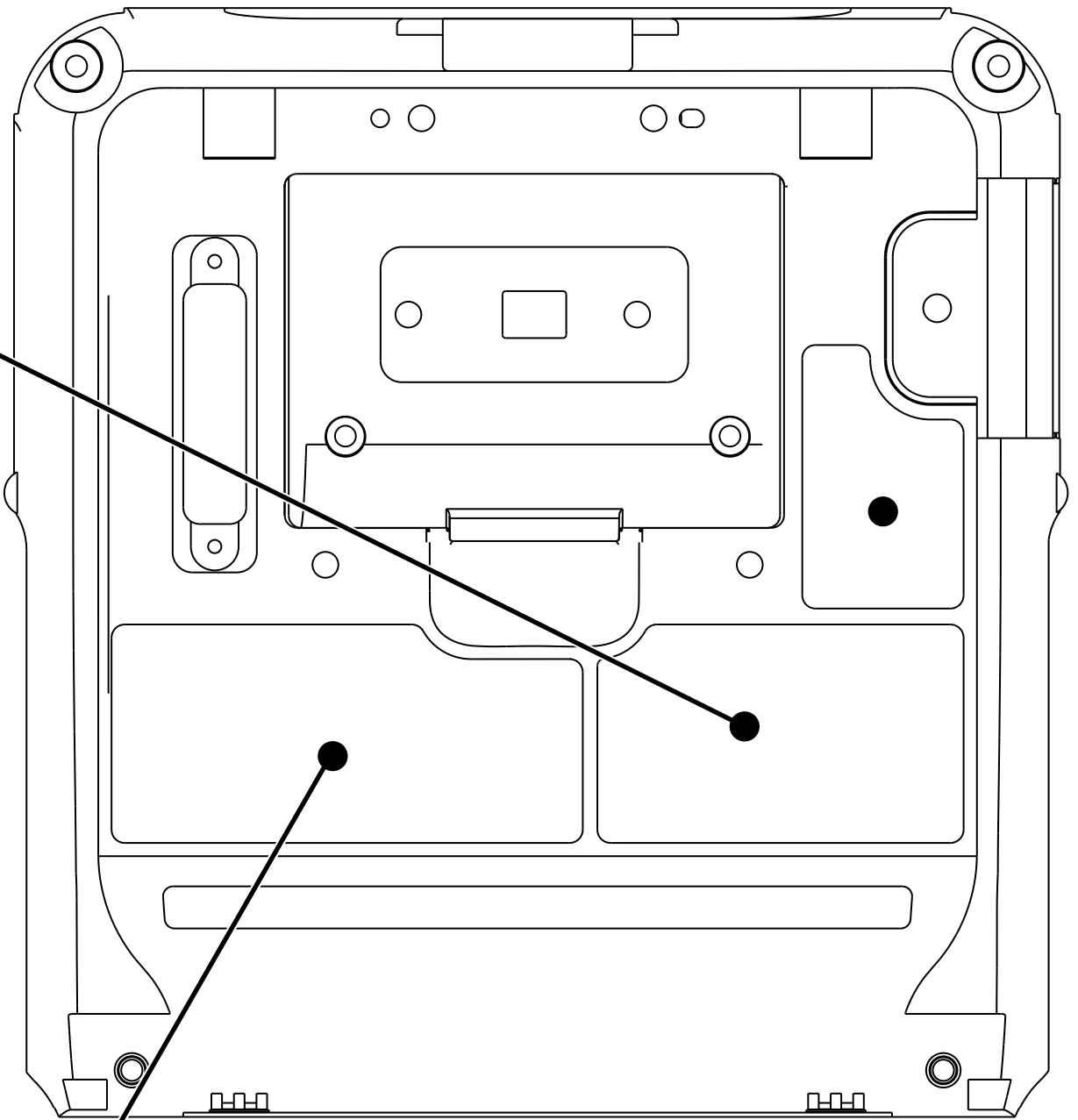
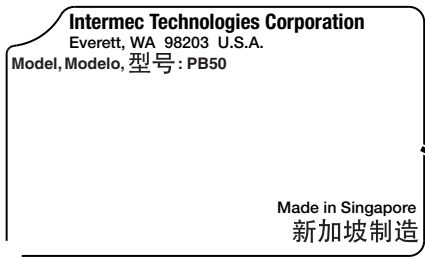
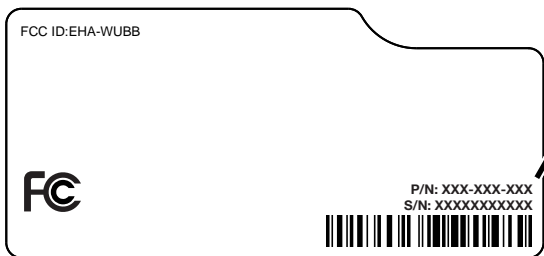


1) Pre-Printed Content



2) POD Content



FOR REFERENCE ONLY