

Test Status	Intermec P/N N/P Intermec	Intermec M/N, Supplier P/N Intermec N/M, Fournisseur N/P	Description Description	Gain (dBi)* Gain (dBi)*	Cable Loss (dB) Perte du Câble (dB)	Antenna system gain (Gain minus Cable Loss)
A	B	C	D	E	F	G
						E - F = G
	805-609-001	IA33A, Cushcraft SP9028PC156RSM	Patch CP - Plaque PC	4.0		4.0
	805-622-002	IA39A, Kathrein 25-178	Patch CP - Plaque PC	6.5	2.4	4.1
	805-623-002	IA39D, Kathrein 25-278	Patch CP - Plaque PC	5.0	2.4	2.6
Tested 2008	805-626-001	IA36B, Kathrein 25-578	Patch LP - Plaque PL	6.0	2.4	3.6
	805-629-001	IA33C, Mobile Mark PN10-915RCPI	Patch CP - Plaque PC	7.0	2.4	4.6
	805-654-001	IA33G, Huber Suhner 84024995	Panel RCP - Panneau PCD	5.5	2.4	3.1
	805-654-002	IA34A, Huber Suhner 84024996	Panel LCP - Panneau PCG	5.5	2.4	3.1
	805-655-001	IA33H, Huber Suhner 84024999	Panel RCP - Panneau PCD	7.0	2.4	4.6
	805-655-002	IA34B, Huber Suhner 84025000	Panel LCP - Panneau PCG	7.0	2.4	4.6
Tested 2008	805-816-002	IA33E, Cushcraft S9026XR1RRN	Patch CP - Plaque PC	3.0	2.4	0.6
	-	- , Huber Suhner 1309-57-0087-X	Panel RCP - Panneau PC	7.0	2.4	4.6
Tested 2008	-	- , Huber Suhner 1309-56-0001-X	Panel RCP - Panneau PC	8.0	3.4	4.6
	-	- , Mobile Mark PN7-915I-FL	Panel RCP - Panneau PC	4.0	2.4	1.6
	-	- , Mobile Mark EDN 191-1550	Panel RCP - Panneau PC	4.0	2.4	1.6
NEW	-	- , Kathrein 520 10087	Panel RCP - Panneau PC	7.5	2.4	5.1
NEW	-	- , Kathrein 520 10073	Panel RCP - Panneau PC	5.2	2.4	2.8
NEW/Testing	-	- , Kathrein 520 10092	Patch CP - Plaque PC	-30.0	2.4	-32.4
NEW	-	- , Huber Suhner SPA-915/70/8/0/RCP	Panel RCP - Panneau PC	4.5	2.4	2.1
NEW/Testing	-	- , Huber Suhner SPA-915/70/8/0/V	Patch LP - Plaque PL	8.0	2.4	5.6
NEW/Testing	-	- , NeWave Wave-N7	7ft. Multi-Axis Dipole	5.5	2.4	3.1
NEW	-	- , NeWave Wave-N5	5ft. Multi-Axis Dipole	4.5	2.4	2.1
NEW	-	- , NeWave Wave-N3	3ft. Multi-Axis Dipole	3.0	2.4	0.6
NEW	-	- , Mobile Mark BP6-915RCPI	Panel RCP - Panneau PCD	2.5	2.4	0.1
NEW	-	- , Laird S9025P	Panel RCP - Panneau PC	2.5	2.4	0.1

* CP gain dBiC = dBi + 3

-X = blank or A, B, C.... pricing code

* PC gain dBiC = dBi + 3

-X = blanc ou A, B, C....code d'évaluation

FCC Antennas IM5r3 RFID Module



2008 Original Grant

Intermec Part Number	805-609-001
Proposed Intermec M/N	IA33A
Description	IA33A: 915, 7dBi, RHC Pol, SMA (RP)
Frequency Range	902 - 928 MHz
Gain	4 dBi linear
Impedance	50 Ohms
VSWR	1.5:1
Axial Ratio	2 dB
Polarization	Circular, RH
Front-to-Back Ratio	18 dB
Maximum Input Power	1 Watt
H-Plane Beamwidth	65 degrees at 3 dB
E-Plane Beamwidth	65 degrees at 3 dB
Connector	SMA Reverse Polarity
Cable Length	156 Inches
Weight	1.25 lbs
Dimensions	
Shock	
RoHS, WEEE Status	
Mounting Hardware	N/A
Manufacturer	Cushcraft-Laird
Manufacturer M/N	
Manufacturer P/N	SP9028PC156RSM
Product ID	

FCC Antennas IM5r3 RFID Module



2008 Original Grant

Intermec Part Number	805-622-002
Proposed Intermec M/N	IA39A
Description	IA39A: 915, 9.5 dBic, Cir Pol, N (RP)
Frequency Range	902 - 928 MHz
Gain	6.5 dBi linear
Impedance	50 Ohms
VSWR	<1.3:1
Axial Ratio	< 3 dB over entire half power beam
Polarization	Circular, LH
Front-to-Back Ratio	> 15 dB
Maximum Input Power	100 Watts (at 50oC)
H-Plane Beamwidth	80 degrees (half power)
E-Plane Beamwidth	30 degrees (half power)
Connector	N Reverse Polarity
Cable Length	N/A
Weight	5.2 lbs (2.4 kg)
Dimensions	19.3 x 6.1 x 1.9 inches (490 x 155 x 49 mm)
Shock	
RoHS, WEEE Status	
Mounting Hardware	203-734-001 kit included 203-733-001 kit order seperately 203-735-001 order seperately 203-737-001 order seperately
Manufacturer	Kathrein
Manufacturer M/N	25-178
Manufacturer P/N	
Product ID	

FCC Antennas IM5r3 RFID Module



2008 Original Grant

Intermec Part Number	805-623-002
Proposed Intermec M/N	IA39D
Description	IA39D: 915, 8 dBic, Cir Pol, N (RP)
Frequency Range	865-928 MHz
Gain	5 dBi linear
Impedance	50 Ohms
VSWR	<1.3:1
Axial Ratio	3 dB
Polarization	Circular, LH
Front-to-Back Ratio	> 20 dB
Maximum Input Power	100 Watts (at 50oC)
H-Plane Beamwidth	60 degrees (half power)
E-Plane Beamwidth	55 degrees (half power)
Connector	N Reverse Polarity
Cable Length	N/A
Weight	3.8 lb (1.7 kg)
Dimensions	12.2 x 10.3 x 2.4 inches (310 x 262 x 59 mm)
Shock	
RoHS, WEEE Status	
Mounting Hardware	203-734-001 kit included 203-733-001 kit order seperately 203-735-001 order seperately 203-737-001 order seperately
Manufacturer	Kathrein
Manufacturer M/N	25-278
Manufacturer P/N	
Product ID	

FCC Antennas IM5r3 RFID Module



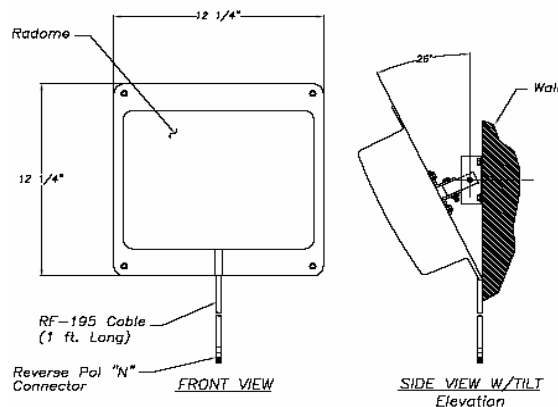
2008 Original Grant TESTED

Intermec Part Number	805-626-001
Proposed Intermec M/N	IA36B
Description	IA36B: 915, 6dBi, Vert Pol, N (RP)
Frequency Range	865-928 MHz
Gain	6 dBi linear
Impedance	50 Ohms
VSWR	<1.5:1
Axial Ratio	N/A
Polarization	Patch
Front-to-Back Ratio	>20 dB
Maximum Input Power	100 Watts (at 50oC)
H-Plane Beamwidth	90 degrees (half power)
E-Plane Beamwidth	70 degrees (half power)
Connector	N Reverse Polarity
Cable Length	N/A
Weight	3.3 lb (1.5 kg)
Dimensions	10.3 x 6.1 x 1.9 inches (262 x 155 x 49 mm)
Shock	
RoHS, WEEE Status	
Mounting Hardware	203-734-001 kit included 203-733-001 kit order seperately 203-735-001 order seperately 203-737-001 order seperately
Manufacturer	Kathrein
Manufacturer M/N	25-578
Manufacturer P/N	
Product ID	

FCC Antennas

IM5r3 RFID

Module



2008 Original Grant

Intermec Part Number	805-629-001
Proposed Intermec M/N	IA33C
Description	IA33C: 915, 10 dBic, CP, N (RP)
Frequency Range	902 - 928 MHz
Gain	7 dBi linear
Impedance	50 Ohms
VSWR	1.5:1
Axial Ratio	
Polarization	Circular, RH
Front-to-Back Ratio	20 dB
Maximum Input Power	20 Watts
H-Plane Beamwidth	56 degrees
E-Plane Beamwidth	56 degrees
Connector	N Reverse Polarity
Cable Length	1 Foot
Weight	3.0 lbs
Dimensions	12.5" x 12.5" x 3.5"
Shock	
RoHS, WEEE Status	
Mounting Hardware	Tilt bracket hardware included
Manufacturer	Mobile Mark
Manufacturer M/N	
Manufacturer P/N	PN10-915RCPI
Product ID	

FCC Antennas IM5r3 RFID Module



2008 Original Grant

Intermec Part Number	805-654-001
Proposed Intermec M/N	IA33G
Description	IA33G, 915, 8.5 dBi, RHCP, N (RP)
Frequency Range	902-928 MHz
Gain	5.5 dBi linear
Impedance	50 Ohms
VSWR	max. 1.5
Axial Ratio	4 dB
Polarization	Circular, RH
Front-to-Back Ratio	> 20 dB
Maximum Input Power	100 Watts (at 50°C)
H-Plane Beamwidth	63 degrees (At 3dB)
E-Plane Beamwidth	63 degrees (At 3dB)
Connector	N Reverse Polarity
Cable Length	N/A
Weight	1.2 kg (2.65 lbs.)
Dimensions	305 x 305 x 25 mm (12.01" x 12.01" x 0.98")
Shock	
RoHS, WEEE Status	
Mounting Hardware	805-653-001 Mnting Bracket (separate)
Manufacturer	Huber Suhner
Manufacturer M/N	1309.17.0077
Manufacturer P/N	Item No. 84024995
Product ID	

FCC Antennas IM5r3 RFID Module



2008 Original Grant

Intermec Part Number	805-654-002
Proposed Intermec M/N	IA34A
Description	IA34A, 915, 8.5 dBi, LHCP, N (RP)
Frequency Range	902-928 MHz
Gain	5.5 dBi linear
Impedance	50 Ohms
VSWR	max. 1.5
Axial Ratio	4 dB
Polarization	Circular, LH
Front-to-Back Ratio	> 20 dB
Maximum Input Power	100 Watts (at 50°C)
H-Plane Beamwidth	63 degrees (At 3dB)
E-Plane Beamwidth	63 degrees (At 3dB)
Connector	N Reverse Polarity
Cable Length	N/A
Weight	1.2 kg (2.65 lbs.)
Dimensions	305 x 305 x 25 mm (12.01" x 12.01" x 0.98")
Shock	
RoHS, WEEE Status	
Mounting Hardware	805-653-001 Mnting Bracket (separate)
Manufacturer	Huber Suhner
Manufacturer M/N	
Manufacturer P/N	Article No. 84024996
Product ID	

FCC Antennas IM5r3 RFID Module



2008 Original Grant

Intermec Part Number	805-655-001
Proposed Intermec M/N	IA33H
Description	IA33H, 915, 10dBic, RHCP, N (RP)
Frequency Range	902-928 MHz
Gain	7 dBi linear
Impedance	50 Ohms
VSWR	max. 1.5
Axial Ratio	2.5 dB
Polarization	Circular, RH
Front-to-Back Ratio	Max -20 dB
Maximum Input Power	6 Watts
H-Plane Beamwidth	60 degrees (At 3dB)
E-Plane Beamwidth	45 degrees (At 3dB)
Connector	N Reverse Polarity
Cable Length	N/A
Weight	2.0 kg (4.41 lbs.)
Dimensions	371 x 371 x 40 mm (14.61" x 14.61" x 1.57")
Shock	
RoHS, WEEE Status	
Mounting Hardware	805-653-001 Mnting Bracket (separate)
Manufacturer	Huber Suhner
Manufacturer M/N	1309.17.0078
Manufacturer P/N	Item No. 84024999
Product ID	

FCC Antennas IM5r3 RFID Module



2008 Original Grant

Intermec Part Number	805-655-002
Proposed Intermec M/N	IA34B
Description	IA34B, 915, 10dBic, LHCP, N (RP)
Frequency Range	902-928 MHz
Gain	7 dBi linear
Impedance	50 Ohms
VSWR	max. 1.5
Axial Ratio	2.5 dB
Polarization	Circular, LH
Front-to-Back Ratio	Max -20 dB
Maximum Input Power	6 Watts
H-Plane Beamwidth	60 degrees (At 3dB)
E-Plane Beamwidth	45 degrees (At 3dB)
Connector	N Reverse Polarity
Cable Length	N/A
Weight	2.0 kg (4.41 lbs.)
Dimensions	371 x 371 x 40 mm (14.61" x 14.61" x 1.57")
Shock	
RoHS, WEEE Status	
Mounting Hardware	805-653-001 Mnting Bracket (separate)
Manufacturer	Huber Suhner
Manufacturer M/N	
Manufacturer P/N	Article No. 84025000
Product ID	

FCC Antennas IM5r3 RFID Module



2008 Original Grant TESTED

Intermec Part Number	805-816-002
Proposed Intermec M/N	IA33E
Description	IA33E: 915, 6.0 dBi, Cir Pol, N (RP), ALP
Frequency Range	902 – 928 MHZ
Gain	3 dBi linear
Impedance	50 Ohms
VSWR	<1.5:1
Axial Ratio	N/A
Polarization	Circular, RH
Front-to-Back Ratio	10 dB
Maximum Input Power	10 Watts
H-Plane Beamwidth	82 degrees (half power)
E-Plane Beamwidth	82 degrees (half power)
Connector	N Reverse Polarity
Cable Length	N/A
Weight	3.0 lbs (1.4 kg)
Dimensions	7.7 in. x 7.7 in. x 1 in. (196 x 196 x 25)
Shock	50 g, 8ms ½ sine, 5000 impulses each
RoHS, WEEE Status	Complies
Mounting Hardware	Adaptable Load Backrest Mounting Included
Manufacturer	Cushcraft-Laird
Manufacturer M/N	S9026X
Manufacturer P/N	S9026XR1RRN
Product ID	

FCC Antennas IM5r3 RFID Module



2008 Original Grant

Intermec Part Number	N/A see Product Links
Proposed Intermec M/N	N/A
Description	915, 10 dBi, RHCP, N (RP)
Frequency Range	902-928 MHz
Gain	7 dBi linear
Impedance	50 Ohms
VSWR	max. 1.5
Axial Ratio	2.5 dB
Polarization	Circular, RH
Front-to-Back Ratio	Max -20 dB
Maximum Input Power	6 Watts
H-Plane Beamwidth	60 degrees (At 3dB)
E-Plane Beamwidth	45 degrees (At 3dB)
Connector	N Reverse Polarity
Cable Length	N/A
Weight	2.0 kg (4.41 lbs.)
Dimensions	371 x 371 x 40 mm (14.61" x 14.61" x 1.57")
Shock	
RoHS, WEEE Status	
Mounting Hardware	84007205 Mnting Bracket (separate)
Manufacturer	Huber Suhner
Manufacturer M/N	1309-57-0087-x
Manufacturer P/N	Item No. 84068841
Product ID	SPA 915/60/10/0/RCP_C1

FCC Antennas IM5r3 RFID Module



2008 Original Grant TESTED

Intermec Part Number	N/A see Product Links
Proposed Intermec M/N	N/A
Description	915, 11 dBic, RHCP, N (RP)
Frequency Range	902-928 MHz
Gain	8 dBi linear
Impedance	50 Ohms
VSWR	max. 1.5
Axial Ratio	3 dB
Polarization	Circular, RH
Front-to-Back Ratio	Max -20 dB
Maximum Input Power	6 Watts
H-Plane Beamwidth	63 degrees (At 3dB)
E-Plane Beamwidth	30 degrees (At 3dB)
Connector	TNC Rev Polarity, 1 dB N (RP) adapt.
Cable Length	N/A
Weight	2.8 kg (6.17 lbs.)
Dimensions	630 x 320 x 40 mm (24.8" x 12.98" x 1.57")
Shock	
RoHS, WEEE Status	Complies
Mounting Hardware	84007206 Mnting Bracket (separate)
Manufacturer	Huber Suhner
Manufacturer M/N	1309-56-001-x
Manufacturer P/N	Item No. 84039146
Product ID	SPA-915/63/11/0/RCP

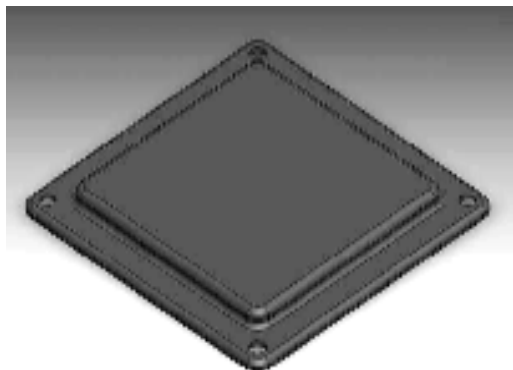
FCC Antennas IM5r3 RFID Module



2008 Original Grant

Intermec Part Number	N/A see Product Links
Proposed Intermec M/N	N/A
Description	915, 7 dBi, RHCP, N (RP)
Frequency Range	902 - 928 MHz
Gain	4 dBi linear
Impedance	50 Ohms
VSWR	1.5:1
Axial Ratio	
Polarization	Circular, RH
Front-to-Back Ratio	15 dB
Maximum Input Power	20 Watts
H-Plane Beamwidth	75 degrees
E-Plane Beamwidth	75 degrees
Connector	N Reverse Polarity Female
Cable Length	N/A
Weight	1.1 lbs
Dimensions	172 x 172 x 50mm (6.75" x 6.75" x 2.0")
Shock	
RoHS, WEEE Status	
Mounting Hardware	included
Manufacturer	Mobile Mark
Manufacturer M/N	PN7-915I-FL
Manufacturer P/N	PN7-915I
Product ID	

FCC Antennas IM5r3 RFID Module



2009 C1PC

Intermec Part Number	N/A see Product Links
Proposed Intermec M/N	N/A
Description	915, 7 dBi, RHCP, N
Frequency Range	902 - 928 MHz
Gain	4 dBi linear
Impedance	50 Ohms
VSWR	1.5:1
Axial Ratio	
Polarization	Circular, RH
Front-to-Back Ratio	15 dB
Maximum Input Power	20 Watts
H-Plane Beamwidth	75 degrees
E-Plane Beamwidth	75 degrees
Connector	N Reverse Polarity Female
Cable Length	N/A
Weight	1.5 lbs
Dimensions	210 x 210 x 19mm (8.25" x8.25" x 0.75")
Shock	
RoHS, WEEE Status	
Mounting Hardware	
Manufacturer	Mobile Mark
Manufacturer M/N	EDN 191-1550
Manufacturer P/N	PN7-915I
Product ID	

FCC Antennas IM5r3 RFID Module



2010 C2PC

Intermec Part Number	N/A see Product Links
Proposed Intermec M/N	N/A
Description	915, 10.5 dBic, LHCP, N
Frequency Range	902 - 928 MHz
Gain	7.5 dBi linear
Impedance	50 Ohms
VSWR	<1.3:1
Axial Ratio	
Polarization	Left Hand Circular
Front-to-Back Ratio	> 20 dB
Maximum Input Power	1 Watts
H-Plane Beamwidth	
E-Plane Beamwidth	30 V, 70 H degrees (half power)
Connector	N Reverse Polarity
Cable Length	N/A
Weight	3.7 kg (8.16 lbs.)
Dimensions	557 x 262 x 59 mm (22"x 10.3"x 2.3")
Shock	
RoHS, WEEE Status	Complies
Mounting Hardware	
Manufacturer	Kathrein
Manufacturer M/N	520 10087
Manufacturer P/N	521 10087
Product ID	

FCC Antennas IM5r3 RFID Module



2010 C2PC

Intermec Part Number	N/A see Product Links
Proposed Intermec M/N	N/A
Description	915, 8.2 dBic, LHCP, N
Frequency Range	902 - 928 MHz
Gain	5.2 dBi linear
Impedance	50 Ohms
VSWR	<1.2:1
Axial Ratio	
Polarization	Left Hand Circular
Front-to-Back Ratio	> 22 dB
Maximum Input Power	1 Watts
H-Plane Beamwidth	
E-Plane Beamwidth	68 V, 70 H degrees (half power)
Connector	N Reverse Polarity
Cable Length	N/A
Weight	1.1 kg (2.43 lbs.)
Dimensions	243 x 290 x 60 mm (9.6"x 11.4"x 2.4")
Shock	
RoHS, WEEE Status	Complies
Mounting Hardware	
Manufacturer	Kathrein
Manufacturer M/N	520 10073
Manufacturer P/N	521 10073
Product ID	

FCC Antennas IM5r3 RFID Module



2010 C2PC TESTED

Intermec Part Number	N/A see Product Links
Proposed Intermec M/N	N/A
Description	915, -30 dBi, CP, TNC
Frequency Range	865 - 928 MHz
Gain	-30 dBi linear
Impedance	50 Ohms
VSWR	<1.2:1
Axial Ratio	
Polarization	
Front-to-Back Ratio	
Maximum Input Power	
H-Plane Beamwidth	
E-Plane Beamwidth	
Connector	
Cable Length	
Weight	110 g (0.25 lbs.)
Dimensions	90 x 63 x 31 mm
Shock	
RoHS, WEEE Status	Complies
Mounting Hardware	
Manufacturer	Kathrein
Manufacturer M/N	520 10092
Manufacturer P/N	521 10092
Product ID	

FCC Antennas IM5r3 RFID Module



2010 C2PC

Intermec Part Number	N/A see Product Links
Proposed Intermec M/N	N/A
Description	915, 7.5 dBi, RHCP, N
Frequency Range	902-928 MHz
Gain	4.5 dBi linear
Impedance	50 Ohms
VSWR	max. 1.3:1
Axial Ratio	1.3 dB
Polarization	Circular
Front-to-Back Ratio	Max -17dB
Maximum Input Power	65 Watts
H-Plane Beamwidth	
E-Plane Beamwidth	70 H, 71 V degrees (At 3dB)
Connector	N Reverse Polarity
Cable Length	N/A
Weight	1 kg (2.2 lbs)
Dimensions	190 x 190 x 30 mm (7.5" x 7.5" x 1.2")
Shock	
RoHS, WEEE Status	Complies
Mounting Hardware	
Manufacturer	Huber Suhner
Manufacturer M/N	1309.17.0089
Manufacturer P/N	Item No. 84039145
Product ID	SPA-915/10/8/0/RCP

FCC Antennas IM5r3 RFID Module



2010 C2PC TESTED

Intermec Part Number	N/A see Product Links
Proposed Intermec M/N	N/A
Description	915, 8 dBi, linear, N
Frequency Range	902-928 MHz
Gain	8 dBi linear
Impedance	50 Ohms
VSWR	max. 1.7:1
Axial Ratio	
Polarization	Linear
Front-to-Back Ratio	Max -11dB
Maximum Input Power	6 Watts
H-Plane Beamwidth	
E-Plane Beamwidth	70 degrees (At 3dB)
Connector	N Reverse Polarity
Cable Length	N/A
Weight	0.7 kg (1.54lbs.)
Dimensions	190 x 190 x 30 mm (7.5" x 7.5" x 1.2")
Shock	
RoHS, WEEE Status	Complies
Mounting Hardware	
Manufacturer	Huber Suhner
Manufacturer M/N	1309.17.0085
Manufacturer P/N	Item No. 84029200
Product ID	SPA-915/70/8/0/V

FCC Antennas IM5r3 RFID Module



2010 C2PC TESTED

Intermec Part Number	N/A see Product Links
Proposed Intermec M/N	N/A
Description	915, 5.5 dBi, multi-linear, TNC
Frequency Range	902-928 MHz
Gain	5.5 dBi linear
Impedance	50 Ohms
VSWR	max. 1.7:1
Axial Ratio	
Polarization	Multi-axis
Front-to-Back Ratio	NA
Maximum Input Power	1 Watt
H-Plane Beamwidth	
E-Plane Beamwidth	360 degrees
Connector	TNC Reverse Polarity
Cable Length	1.5 m (5 ft)
Weight	1.8 kg (4 lbs)
Dimensions	2.2 m x 229 mm x 38 mm (87" x 9" x 1.5")
Shock	
RoHS, WEEE Status	
Mounting Hardware	
Manufacturer	NeWave Sensor Solutions
Manufacturer M/N	NSS Wave-N7
Manufacturer P/N	
Product ID	

FCC Antennas IM5r3 RFID Module



2010 C2PC

Intermec Part Number	N/A see Product Links
Proposed Intermec M/N	N/A
Description	915, 4.5 dBi, multi-linear, TNC
Frequency Range	902-928 MHz
Gain	4.5 dBi linear
Impedance	50 Ohms
VSWR	max. 1.7:1
Axial Ratio	
Polarization	Multi-axis
Front-to-Back Ratio	NA
Maximum Input Power	1 Watt
H-Plane Beamwidth	
E-Plane Beamwidth	360 degrees
Connector	TNC Reverse Polarity
Cable Length	1.5 m (5 ft)
Weight	1.4 kg (3 lbs)
Dimensions	1.55 m x 229 mm x 38 mm (61" x 9" x 1.5")
Shock	
RoHS, WEEE Status	
Mounting Hardware	
Manufacturer	NeWave Sensor Solutions
Manufacturer M/N	NSS Wave-N5
Manufacturer P/N	
Product ID	

FCC Antennas IM5r3 RFID Module



2010 C2PC

Intermec Part Number	N/A see Product Links
Proposed Intermec M/N	N/A
Description	915, 3 dBi, multi-linear, TNC
Frequency Range	902-928 MHz
Gain	3.0 dBi linear
Impedance	50 Ohms
VSWR	max. 1.7:1
Axial Ratio	
Polarization	Multi-axis
Front-to-Back Ratio	NA
Maximum Input Power	1 Watt
H-Plane Beamwidth	
E-Plane Beamwidth	360 degrees
Connector	TNC Reverse Polarity
Cable Length	1.5 m (5 ft)
Weight	0.8 kg (1.7 lbs)
Dimensions	915 x 229 x 38 mm (36" x 9" x 1.5")
Shock	
RoHS, WEEE Status	
Mounting Hardware	
Manufacturer	NeWave Sensor Solutions
Manufacturer M/N	NSS Wave-N3
Manufacturer P/N	
Product ID	

FCC Antennas IM5r3 RFID Module



2010 C2PC

Intermec Part Number	N/A see Product Links
Proposed Intermec M/N	N/A
Description	915, 5.5 dBi, RHCP, N
Frequency Range	902 - 928 MHz
Gain	2.5 dBi linear
Impedance	50 Ohms
VSWR	< 2.0:1
Axial Ratio	
Polarization	Circular, RH
Front-to-Back Ratio	10 dB
Maximum Input Power	20 Watts
H-Plane Beamwidth	
E-Plane Beamwidth	80 V, 80 H degrees
Connector	N Reverse Polarity Female
Cable Length	6 inch
Weight	0.5 kg (1.1 lbs)
Dimensions	146 mm x 146 mm x 18 mm (5.75" x 5.75" x 0.7")
Shock	
RoHS, WEEE Status	
Mounting Hardware	
Manufacturer	Mobile Mark
Manufacturer M/N	BP6-915
Manufacturer P/N	BP6-915RCP
Product ID	

FCC Antennas

IM5r3 RFID

Module



2010 C2PC

Intermec Part Number	N/A see Product Links
Proposed Intermec M/N	N/A
Description	915, 5.5 dBi, RHCP, N
Frequency Range	902 - 928 MHz
Gain	2.5 dBi linear
Impedance	50 Ohms
VSWR	< 1.5:1
Axial Ratio	2.0 dB
Polarization	Circular, RH
Front-to-Back Ratio	8 dB
Maximum Input Power	10 Watts
H-Plane Beamwidth	
E-Plane Beamwidth	100 degrees
Connector	TNC Reverse Polarity Female
Cable Length	
Weight	0.37 kg (0.8 lbs)
Dimensions	132 mm x 132 mm x 18 mm (5.2" x 5.2" x 0.7")
Shock	IEC 68-2-27
RoHS, WEEE Status	
Mounting Hardware	
Manufacturer	Laird
Manufacturer M/N	S9025P
Manufacturer P/N	S9025PR
Product ID	