

Test Status	Intermec P/N N/P Intermec	Intermec M/N, Supplier P/N Intermec N/M, Fournisseur N/P	Description Description	Gain (dBi)* Gain (dBi)*	Cable Loss Perte du Câble (dB)	Antenna/cable system gain (dBi)
A	B	C	D	E	F	G
						E - F = G
	805-609-001	IA33A, Cushcraft SP9028PC156RSM	Patch CP - Plaque PC	4.0	0	4.0
	805-622-002	IA39A, Kathrein 25-178	Patch CP - Plaque PC	6.5	2.4	4.1
	805-623-002	IA39D, Kathrein 25-278	Patch CP - Plaque PC	5.0	2.4	2.6
	805-626-001	IA36B, Kathrein 25-578	Patch LP - Plaque PL	6.0	2.4	3.6
	805-629-001	IA33C, Mobile Mark PN10-915RCPI	Patch CP - Plaque PC	7.0	2.4	4.6
	805-654-001	IA33G, Huber Suhner 84024995	Panel RCP - Panneau PCD	5.5	2.4	3.1
	805-654-002	IA34A, Huber Suhner 84024996	Panel LCP - Panneau PCG	5.5	2.4	3.1
	805-655-001	IA33H, Huber Suhner 84024999	Panel RCP - Panneau PCD	7.0	2.4	4.6
	805-655-002	IA34B, Huber Suhner 84025000	Panel LCP - Panneau PCG	7.0	2.4	4.6
	805-816-002	IA33E, Cushcraft S9026XR1RRN	Patch CP - Plaque PC	3.0	2.4	0.6
	-	- , Huber Suhner 1309-57-0087-X	Panel RCP - Panneau PC	7.0	2.4	4.6
	-	- , Huber Suhner 1309-56-0001-X	Panel RCP - Panneau PC	8.0	<b>3.4</b>	4.6
	-	- , Mobile Mark PN7-9151-FL	Panel RCP - Panneau PC	4.0	2.4	1.6
	-	- , Mobile Mark EDN 191-1550	Panel RCP - Panneau PC	4.0	2.4	1.6
Testing	-	- , Kathrein 520 10087	Panel RCP - Panneau PC	7.5	2.4	5.1
	-	- , Kathrein 520 10073	Panel RCP - Panneau PC	5.2	2.4	2.8
Testing	-	- , Kathrein 520 10092	Patch CP - Plaque PC	-30.0	2.4	-32.4
	-	- , Huber Suhner 1309.17.0089-x	Panel RCP - Panneau PC	4.5	2.4	2.1
Testing	-	- , Huber Suhner 1309.17.0085-x	Patch LP - Plaque PL	8.0	2.4	5.6
Testing	-	- , NeWave Wave-N7	7ft. Multi-Axis Dipole	5.5	2.4	3.1
	-	- , NeWave Wave-N5	5ft. Multi-Axis Dipole	4.5	2.4	2.1
	-	- , NeWave Wave-N3	3ft. Multi-Axis Dipole	3.0	2.4	0.6
	-	- , Mobile Mark BP6-915RCPI	Panel RCP - Panneau PCD	2.5	2.4	0.1
	-	- , Laird S9025P	Panel RCP - Panneau PC	2.5	2.4	0.1

\* CP gain dBiC = dBi + 3

-X = blank or A, B, C.... pricing code

\* PC gain dBiC = dBi + 3

-X = blanc ou A, B, C....code d'évaluation

# FCC Antennas IM10 RFID Module



<b>Intermec Part Number</b>	805-609-001
<b>Proposed Intermec M/N</b>	IA33A
<b>Description</b>	IA33A: 915, 7dBi, RHC Pol, SMA (RP)
<b>Frequency Range</b>	902 - 928 MHz
<b>Gain</b>	4 dBi linear
<b>Impedance</b>	50 Ohms
<b>VSWR</b>	1.5:1
<b>Axial Ratio</b>	2 dB
<b>Polarization</b>	Circular, RH
<b>Front-to-Back Ratio</b>	18 dB
<b>Maximum Input Power</b>	1 Watt
<b>H-Plane Beamwidth</b>	65 degrees at 3 dB
<b>E-Plane Beamwidth</b>	65 degrees at 3 dB
<b>Connector</b>	SMA Reverse Polarity
<b>Cable Length</b>	156 Inches
<b>Weight</b>	1.25 lbs
<b>Dimensions</b>	
<b>Shock</b>	
<b>RoHS, WEEE Status</b>	
<b>Mounting Hardware</b>	
	N/A
<b>Manufacturer</b>	Cushcraft-Laird
<b>Manufacturer M/N</b>	
<b>Manufacturer P/N</b>	SP9028PC156RSM
<b>Product ID</b>	

# FCC Antennas IM10 RFID Module



<b>Intermec Part Number</b>	805-622-002
<b>Proposed Intermecc M/N</b>	IA39A
<b>Description</b>	IA39A: 915, 9.5 dBic, Cir Pol, N (RP)
<b>Frequency Range</b>	902 - 928 MHz
<b>Gain</b>	6.5 dBi linear
<b>Impedance</b>	50 Ohms
<b>VSWR</b>	<1.3:1
<b>Axial Ratio</b>	< 3 dB over entire half power beam
<b>Polarization</b>	Circular, LH
<b>Front-to-Back Ratio</b>	> 15 dB
<b>Maximum Input Power</b>	100 Watts (at 50oC)
<b>H-Plane Beamwidth</b>	80 degrees (half power)
<b>E-Plane Beamwidth</b>	30 degrees (half power)
<b>Connector</b>	N Reverse Polarity
<b>Cable Length</b>	N/A
<b>Weight</b>	5.2 lbs (2.4 kg)
<b>Dimensions</b>	19.3 x 6.1 x 1.9 inches (490 x 155 x 49 mm)
<b>Shock</b>	
<b>RoHS, WEEE Status</b>	
<b>Mounting Hardware</b>	203-734-001 kit included 203-733-001 kit order seperately 203-735-001 order seperately 203-737-001 order seperately
<b>Manufacturer</b>	Kathrein
<b>Manufacturer M/N</b>	25-178
<b>Manufacturer P/N</b>	
<b>Product ID</b>	

# FCC Antennas

## IM10 RFID

### Module



<b>Intermec Part Number</b>	805-623-002
<b>Proposed Intermec M/N</b>	IA39D
<b>Description</b>	IA39D: 915, 8 dBic, Cir Pol, N (RP)
<b>Frequency Range</b>	865-928 MHz
<b>Gain</b>	5 dBi linear
<b>Impedance</b>	50 Ohms
<b>VSWR</b>	<1.3:1
<b>Axial Ratio</b>	3 dB
<b>Polarization</b>	Circular, LH
<b>Front-to-Back Ratio</b>	> 20 dB
<b>Maximum Input Power</b>	100 Watts (at 50oC)
<b>H-Plane Beamwidth</b>	60 degrees (half power)
<b>E-Plane Beamwidth</b>	55 degrees (half power)
<b>Connector</b>	N Reverse Polarity
<b>Cable Length</b>	N/A
<b>Weight</b>	3.8 lb (1.7 kg)
<b>Dimensions</b>	12.2 x 10.3 x 2.4 inches (310 x 262 x 59 mm)
<b>Shock</b>	
<b>RoHS, WEEE Status</b>	
<b>Mounting Hardware</b>	203-734-001 kit included 203-733-001 kit order seperately 203-735-001 order seperately 203-737-001 order seperately
<b>Manufacturer</b>	Kathrein
<b>Manufacturer M/N</b>	25-278
<b>Manufacturer P/N</b>	
<b>Product ID</b>	

# FCC Antennas IM10 RFID Module

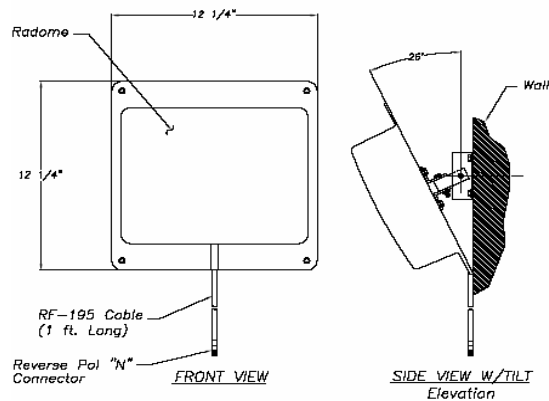


<b>Intermec Part Number</b>	805-626-001
<b>Proposed Intermec M/N</b>	IA36B
<b>Description</b>	IA36B: 915, 6dBi, Vert Pol, N (RP)
<b>Frequency Range</b>	865-928 MHz
<b>Gain</b>	6 dBi linear
<b>Impedance</b>	50 Ohms
<b>VSWR</b>	<1.5:1
<b>Axial Ratio</b>	N/A
<b>Polarization</b>	Patch
<b>Front-to-Back Ratio</b>	>20 dB
<b>Maximum Input Power</b>	100 Watts (at 50oC)
<b>H-Plane Beamwidth</b>	90 degrees (half power)
<b>E-Plane Beamwidth</b>	70 degrees (half power)
<b>Connector</b>	N Reverse Polarity
<b>Cable Length</b>	N/A
<b>Weight</b>	3.3 lb (1.5 kg)
<b>Dimensions</b>	10.3 x 6.1 x 1.9 inches (262 x 155 x 49 mm)
<b>Shock</b>	
<b>RoHS, WEEE Status</b>	
<b>Mounting Hardware</b>	203-734-001 kit included 203-733-001 kit order seperately 203-735-001 order seperately 203-737-001 order seperately
<b>Manufacturer</b>	Kathrein
<b>Manufacturer M/N</b>	25-578
<b>Manufacturer P/N</b>	
<b>Product ID</b>	

# FCC Antennas

## IM10 RFID

### Module



<b>Intermec Part Number</b>	805-629-001
<b>Proposed Intermec M/N</b>	IA33C
<b>Description</b>	IA33C: 915, 10 dBic, CP, N (RP)
<b>Frequency Range</b>	902 - 928 MHz
<b>Gain</b>	7 dBi linear
<b>Impedance</b>	50 Ohms
<b>VSWR</b>	1.5:1
<b>Axial Ratio</b>	
<b>Polarization</b>	Circular, RH
<b>Front-to-Back Ratio</b>	20 dB
<b>Maximum Input Power</b>	20 Watts
<b>H-Plane Beamwidth</b>	56 degrees
<b>E-Plane Beamwidth</b>	56 degrees
<b>Connector</b>	N Reverse Polarity
<b>Cable Length</b>	1 Foot
<b>Weight</b>	3.0 lbs
<b>Dimensions</b>	12.5" x 12.5" x 3.5"
<b>Shock</b>	
<b>RoHS, WEEE Status</b>	
<b>Mounting Hardware</b>	Tilt bracket hardware included
<b>Manufacturer</b>	Mobile Mark
<b>Manufacturer M/N</b>	
<b>Manufacturer P/N</b>	PN10-915RCPI
<b>Product ID</b>	

# FCC Antennas

## IM10 RFID

### Module



<b>Intermec Part Number</b>	805-654-001
<b>Proposed Intermec M/N</b>	IA33G
<b>Description</b>	IA33G, 915, 8.5 dBic, RHCP, N (RP)
<b>Frequency Range</b>	902-928 MHz
<b>Gain</b>	5.5 dBi linear
<b>Impedance</b>	50 Ohms
<b>VSWR</b>	max. 1.5
<b>Axial Ratio</b>	4 dB
<b>Polarization</b>	Circular, RH
<b>Front-to-Back Ratio</b>	> 20 dB
<b>Maximum Input Power</b>	100 Watts (at 50°C)
<b>H-Plane Beamwidth</b>	63 degrees (At 3dB)
<b>E-Plane Beamwidth</b>	63 degrees (At 3dB)
<b>Connector</b>	N Reverse Polarity
<b>Cable Length</b>	N/A
<b>Weight</b>	1.2 kg (2.65 lbs.)
<b>Dimensions</b>	305 x 305 x 25 mm (12.01" x 12.01" x 0.98")
<b>Shock</b>	
<b>RoHS, WEEE Status</b>	
<b>Mounting Hardware</b>	805-653-001 Mnting Bracket (separate)
<b>Manufacturer</b>	Huber Suhner
<b>Manufacturer M/N</b>	1309.17.0077
<b>Manufacturer P/N</b>	Item No. 84024995
<b>Product ID</b>	

# FCC Antennas IM10 RFID Module



<b>Intermec Part Number</b>	805-654-002
<b>Proposed Intermec M/N</b>	IA34A
<b>Description</b>	IA34A, 915, 8.5 dBic, LHCP, N (RP)
<b>Frequency Range</b>	902-928 MHz
<b>Gain</b>	5.5 dBi linear
<b>Impedance</b>	50 Ohms
<b>VSWR</b>	max. 1.5
<b>Axial Ratio</b>	4 dB
<b>Polarization</b>	Circular, LH
<b>Front-to-Back Ratio</b>	> 20 dB
<b>Maximum Input Power</b>	100 Watts (at 50°C)
<b>H-Plane Beamwidth</b>	63 degrees (At 3dB)
<b>E-Plane Beamwidth</b>	63 degrees (At 3dB)
<b>Connector</b>	N Reverse Polarity
<b>Cable Length</b>	N/A
<b>Weight</b>	1.2 kg (2.65 lbs.)
<b>Dimensions</b>	305 x 305 x 25 mm (12.01" x 12.01" x 0.98")
<b>Shock</b>	
<b>RoHS, WEEE Status</b>	
<b>Mounting Hardware</b>	805-653-001 Mnting Bracket (separate)
<b>Manufacturer</b>	Huber Suhner
<b>Manufacturer M/N</b>	
<b>Manufacturer P/N</b>	Article No. 84024996
<b>Product ID</b>	



# FCC Antennas IM10 RFID Module



<b>Intermec Part Number</b>	805-655-001
<b>Proposed Intermec M/N</b>	IA33H
<b>Description</b>	IA33H, 915, 10dBic, RHCP, N (RP)
<b>Frequency Range</b>	902-928 MHz
<b>Gain</b>	7 dBi linear
<b>Impedance</b>	50 Ohms
<b>VSWR</b>	max. 1.5
<b>Axial Ratio</b>	2.5 dB
<b>Polarization</b>	Circular, RH
<b>Front-to-Back Ratio</b>	Max -20 dB
<b>Maximum Input Power</b>	6 Watts
<b>H-Plane Beamwidth</b>	60 degrees (At 3dB)
<b>E-Plane Beamwidth</b>	45 degrees (At 3dB)
<b>Connector</b>	N Reverse Polarity
<b>Cable Length</b>	N/A
<b>Weight</b>	2.0 kg (4.41 lbs.)
<b>Dimensions</b>	371 x 371 x 40 mm (14.61" x 14.61" x 1.57")
<b>Shock</b>	
<b>RoHS, WEEE Status</b>	
<b>Mounting Hardware</b>	805-653-001 Mnting Bracket (separate)
<b>Manufacturer</b>	Huber Suhner
<b>Manufacturer M/N</b>	1309.17.0078
<b>Manufacturer P/N</b>	Item No. 84024999
<b>Product ID</b>	

# FCC Antennas

## IM10 RFID

### Module



<b>Intermec Part Number</b>	805-655-002
<b>Proposed Intermec M/N</b>	IA34B
<b>Description</b>	IA34B, 915, 10dBic, LHCP, N (RP)
<b>Frequency Range</b>	902-928 MHz
<b>Gain</b>	7 dBi linear
<b>Impedance</b>	50 Ohms
<b>VSWR</b>	max. 1.5
<b>Axial Ratio</b>	2.5 dB
<b>Polarization</b>	Circular, LH
<b>Front-to-Back Ratio</b>	Max -20 dB
<b>Maximum Input Power</b>	6 Watts
<b>H-Plane Beamwidth</b>	60 degrees (At 3dB)
<b>E-Plane Beamwidth</b>	45 degrees (At 3dB)
<b>Connector</b>	N Reverse Polarity
<b>Cable Length</b>	N/A
<b>Weight</b>	2.0 kg (4.41 lbs.)
<b>Dimensions</b>	371 x 371 x 40 mm (14.61" x 14.61" x 1.57")
<b>Shock</b>	
<b>RoHS, WEEE Status</b>	
<b>Mounting Hardware</b>	805-653-001 Mnting Bracket (separate)
<b>Manufacturer</b>	Huber Suhner
<b>Manufacturer M/N</b>	
<b>Manufacturer P/N</b>	Article No. 84025000
<b>Product ID</b>	

# FCC Antennas IM10 RFID Module



<b>Intermec Part Number</b>	805-816-002
<b>Proposed Intermec M/N</b>	IA33E
<b>Description</b>	IA33E: 915, 6.0 dBi, Cir Pol, N (RP), ALF
<b>Frequency Range</b>	902 – 928 MHZ
<b>Gain</b>	3 dBi linear
<b>Impedance</b>	50 Ohms
<b>VSWR</b>	<1.5:1
<b>Axial Ratio</b>	N/A
<b>Polarization</b>	Circular, RH
<b>Front-to-Back Ratio</b>	10 dB
<b>Maximum Input Power</b>	10 Watts
<b>H-Plane Beamwidth</b>	82 degrees (half power)
<b>E-Plane Beamwidth</b>	82 degrees (half power)
<b>Connector</b>	N Reverse Polarity
<b>Cable Length</b>	N/A
<b>Weight</b>	3.0 lbs (1.4 kg)
<b>Dimensions</b>	7.7 in. x 7.7 in. x 1 in. (196 x 196 x 25)
<b>Shock</b>	50 g, 8ms ½ sine, 5000 impulses each
<b>RoHS, WEEE Status</b>	Complies
<b>Mounting Hardware</b>	Adaptable Load Backrest Mounting Included
<b>Manufacturer</b>	Cushcraft-Laird
<b>Manufacturer M/N</b>	S9026X
<b>Manufacturer P/N</b>	S9026XR1RRN
<b>Product ID</b>	

# FCC Antennas IM10 RFID Module



<b>Intermec Part Number</b>	N/A see Product Links
<b>Proposed Intermec M/N</b>	N/A
<b>Description</b>	915, 10 dBic, RHCP, N (RP)
<b>Frequency Range</b>	902-928 MHz
<b>Gain</b>	7 dBi linear
<b>Impedance</b>	50 Ohms
<b>VSWR</b>	max. 1.5
<b>Axial Ratio</b>	2.5 dB
<b>Polarization</b>	Circular, RH
<b>Front-to-Back Ratio</b>	Max -20 dB
<b>Maximum Input Power</b>	6 Watts
<b>H-Plane Beamwidth</b>	60 degrees (At 3dB)
<b>E-Plane Beamwidth</b>	45 degrees (At 3dB)
<b>Connector</b>	N Reverse Polarity
<b>Cable Length</b>	N/A
<b>Weight</b>	2.0 kg (4.41 lbs.)
<b>Dimensions</b>	371 x 371 x 40 mm (14.61" x 14.61" x 1.57")
<b>Shock</b>	
<b>RoHS, WEEE Status</b>	
<b>Mounting Hardware</b>	84007205 Mnting Bracket (separate)
<b>Manufacturer</b>	Huber Suhner
<b>Manufacturer M/N</b>	1309-57-0087-x
<b>Manufacturer P/N</b>	Item No. 84068841
<b>Product ID</b>	SPA 915/60/10/0/RCP_C1

# FCC Antennas IM10 RFID Module



<b>Intermec Part Number</b>	N/A see Product Links
<b>Proposed Intermec M/N</b>	N/A
<b>Description</b>	915, 11 dBi, RHCP, N (RP)
<b>Frequency Range</b>	902-928 MHz
<b>Gain</b>	8 dBi linear
<b>Impedance</b>	50 Ohms
<b>VSWR</b>	max. 1.5
<b>Axial Ratio</b>	3 dB
<b>Polarization</b>	Circular, RH
<b>Front-to-Back Ratio</b>	Max -20 dB
<b>Maximum Input Power</b>	6 Watts
<b>H-Plane Beamwidth</b>	63 degrees (At 3dB)
<b>E-Plane Beamwidth</b>	30 degrees (At 3dB)
<b>Connector</b>	TNC Rev Polarity, 1 dB N (RP) adapt.
<b>Cable Length</b>	N/A
<b>Weight</b>	2.8 kg (6.17 lbs.)
<b>Dimensions</b>	630 x 320 x 40 mm (24.8" x 12.98" x 1.57")
<b>Shock</b>	
<b>RoHS, WEEE Status</b>	Complies
<b>Mounting Hardware</b>	84007206 Mnting Bracket (separate)
<b>Manufacturer</b>	Huber Suhner
<b>Manufacturer M/N</b>	1309-56-001-x
<b>Manufacturer P/N</b>	Item No. 84039146
<b>Product ID</b>	SPA-915/63/11/0/RCP

# FCC Antennas

## IM10 RFID

### Module

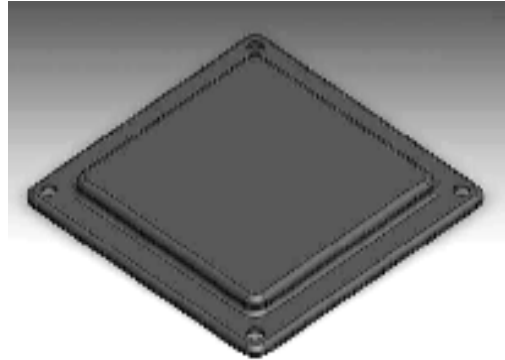


<b>Intermec Part Number</b>	N/A see Product Links
<b>Proposed Intermec M/N</b>	N/A
<b>Description</b>	915, 7 dBic, RHCP, N (RP)
<b>Frequency Range</b>	902 - 928 MHz
<b>Gain</b>	4 dBi linear
<b>Impedance</b>	50 Ohms
<b>VSWR</b>	1.5:1
<b>Axial Ratio</b>	
<b>Polarization</b>	Circular, RH
<b>Front-to-Back Ratio</b>	15 dB
<b>Maximum Input Power</b>	20 Watts
<b>H-Plane Beamwidth</b>	75 degrees
<b>E-Plane Beamwidth</b>	75 degrees
<b>Connector</b>	N Reverse Polarity Female
<b>Cable Length</b>	N/A
<b>Weight</b>	1.1 lbs
<b>Dimensions</b>	172 x 172 x 50mm (6.75" x 6.75" x 2.0")
<b>Shock</b>	
<b>RoHS, WEEE Status</b>	
<b>Mounting Hardware</b>	included
<b>Manufacturer</b>	Mobile Mark
<b>Manufacturer M/N</b>	PN7-915I-FL
<b>Manufacturer P/N</b>	PN7-915I
<b>Product ID</b>	

# FCC Antennas

## IM10 RFID

### Module



<b>Intermec Part Number</b>	N/A see Product Links
<b>Proposed Intermec M/N</b>	N/A
<b>Description</b>	915, 7 dBi, RHCP, N
<b>Frequency Range</b>	902 - 928 MHz
<b>Gain</b>	4 dBi linear
<b>Impedance</b>	50 Ohms
<b>VSWR</b>	1.5:1
<b>Axial Ratio</b>	
<b>Polarization</b>	Circular, RH
<b>Front-to-Back Ratio</b>	15 dB
<b>Maximum Input Power</b>	20 Watts
<b>H-Plane Beamwidth</b>	75 degrees
<b>E-Plane Beamwidth</b>	75 degrees
<b>Connector</b>	N Reverse Polarity Female
<b>Cable Length</b>	N/A
<b>Weight</b>	1.5 lbs
<b>Dimensions</b>	210 x 210 x 19mm (8.25" x8.25" x 0.75")
<b>Shock</b>	
<b>RoHS, WEEE Status</b>	
<b>Mounting Hardware</b>	
<b>Manufacturer</b>	Mobile Mark
<b>Manufacturer M/N</b>	EDN 191-1550
<b>Manufacturer P/N</b>	PN7-915I
<b>Product ID</b>	

# FCC Antennas

## IM10 RFID

### Module



#### Tested Original Grant

<b>Intermec Part Number</b>	N/A see Product Links
<b>Proposed Intermec M/N</b>	N/A
<b>Description</b>	915, 10.5 dBic, LHCP, N
<b>Frequency Range</b>	902 - 928 MHz
<b>Gain</b>	7.5 dBi linear
<b>Impedance</b>	50 Ohms
<b>VSWR</b>	<1.3:1
<b>Axial Ratio</b>	
<b>Polarization</b>	Left Hand Circular
<b>Front-to-Back Ratio</b>	> 20 dB
<b>Maximum Input Power</b>	1 Watts
<b>H-Plane Beamwidth</b>	
<b>E-Plane Beamwidth</b>	30 V, 70 H degrees (half power)
<b>Connector</b>	N Reverse Polarity
<b>Cable Length</b>	N/A
<b>Weight</b>	3.7 kg (8.16 lbs.)
<b>Dimensions</b>	557 x 262 x 59 mm (22"x 10.3"x 2.3")
<b>Shock</b>	
<b>RoHS, WEEE Status</b>	Complies
<b>Mounting Hardware</b>	
<b>Manufacturer</b>	Kathrein
<b>Manufacturer M/N</b>	520 10087
<b>Manufacturer P/N</b>	521 10087
<b>Product ID</b>	



# FCC Antennas IM10 RFID Module



<b>Intermec Part Number</b>	N/A see Product Links
<b>Proposed Intermec M/N</b>	N/A
<b>Description</b>	915, 8.2 dBi, LHCP, N
<b>Frequency Range</b>	902 - 928 MHz
<b>Gain</b>	5.2 dBi linear
<b>Impedance</b>	50 Ohms
<b>VSWR</b>	<1.2:1
<b>Axial Ratio</b>	
<b>Polarization</b>	Left Hand Circular
<b>Front-to-Back Ratio</b>	> 22 dB
<b>Maximum Input Power</b>	1 Watts
<b>H-Plane Beamwidth</b>	
<b>E-Plane Beamwidth</b>	68 V, 70 H degrees (half power)
<b>Connector</b>	N Reverse Polarity
<b>Cable Length</b>	N/A
<b>Weight</b>	1.1 kg (2.43 lbs.)
<b>Dimensions</b>	243 x 290 x 60 mm (9.6"x 11.4"x 2.4")
<b>Shock</b>	
<b>RoHS, WEEE Status</b>	Complies
<b>Mounting Hardware</b>	
<b>Manufacturer</b>	Kathrein
<b>Manufacturer M/N</b>	520 10073
<b>Manufacturer P/N</b>	521 10073
<b>Product ID</b>	

# FCC Antennas

## IM10 RFID

### Module



#### Tested Original Grant

<b>Intermec Part Number</b>	N/A see Product Links
<b>Proposed Intermec M/N</b>	N/A
<b>Description</b>	915, -30 dBi, CP, TNC
<b>Frequency Range</b>	865 - 928 MHz
<b>Gain</b>	-30 dBi linear
<b>Impedance</b>	50 Ohms
<b>VSWR</b>	<1.2:1
<b>Axial Ratio</b>	
<b>Polarization</b>	
<b>Front-to-Back Ratio</b>	
<b>Maximum Input Power</b>	
<b>H-Plane Beamwidth</b>	
<b>E-Plane Beamwidth</b>	
<b>Connector</b>	
<b>Cable Length</b>	
<b>Weight</b>	110 g (0.25 lbs.)
<b>Dimensions</b>	90 x 63 x 31 mm
<b>Shock</b>	
<b>RoHS, WEEE Status</b>	Complies
<b>Mounting Hardware</b>	
<b>Manufacturer</b>	Kathrein
<b>Manufacturer M/N</b>	520 10092
<b>Manufacturer P/N</b>	521 10092
<b>Product ID</b>	

# FCC Antennas IM10 RFID Module



<b>Intermec Part Number</b>	N/A see Product Links
<b>Proposed Intermec M/N</b>	N/A
<b>Description</b>	915, 7.5 dBi, RHCP, N
<b>Frequency Range</b>	902-928 MHz
<b>Gain</b>	4.5 dBi linear
<b>Impedance</b>	50 Ohms
<b>VSWR</b>	max. 1.3:1
<b>Axial Ratio</b>	1.3 dB
<b>Polarization</b>	Circular
<b>Front-to-Back Ratio</b>	Max -17dB
<b>Maximum Input Power</b>	65 Watts
<b>H-Plane Beamwidth</b>	
<b>E-Plane Beamwidth</b>	70 H, 71 V degrees (At 3dB)
<b>Connector</b>	N Reverse Polarity
<b>Cable Length</b>	N/A
<b>Weight</b>	1 kg (2.2 lbs)
<b>Dimensions</b>	190 x 190 x 30 mm (7.5" x 7.5" x 1.2")
<b>Shock</b>	
<b>RoHS, WEEE Status</b>	Complies
<b>Mounting Hardware</b>	
<b>Manufacturer</b>	Huber Suhner
<b>Manufacturer M/N</b>	1309.17.0089
<b>Manufacturer P/N</b>	Item No. 84039145
<b>Product ID</b>	SPA-915/10/8/0/RCP

# FCC Antennas IM10 RFID Module



## Tested Original Grant

<b>Intermec Part Number</b>	N/A see Product Links
<b>Proposed Intermec M/N</b>	N/A
<b>Description</b>	915, 8 dBi, linear, N
<b>Frequency Range</b>	902-928 MHz
<b>Gain</b>	8 dBi linear
<b>Impedance</b>	50 Ohms
<b>VSWR</b>	max. 1.7:1
<b>Axial Ratio</b>	
<b>Polarization</b>	Linear
<b>Front-to-Back Ratio</b>	Max -11dB
<b>Maximum Input Power</b>	6 Watts
<b>H-Plane Beamwidth</b>	
<b>E-Plane Beamwidth</b>	70 degrees (At 3dB)
<b>Connector</b>	N Reverse Polarity
<b>Cable Length</b>	N/A
<b>Weight</b>	0.7 kg (1.54lbs.)
<b>Dimensions</b>	190 x 190 x 30 mm (7.5" x 7.5" x 1.2")
<b>Shock</b>	
<b>RoHS, WEEE Status</b>	Complies
<b>Mounting Hardware</b>	
<b>Manufacturer</b>	Huber Suhner
<b>Manufacturer M/N</b>	1309.17.0085
<b>Manufacturer P/N</b>	Item No. 84029200
<b>Product ID</b>	SPA-915/70/8/0/V

# FCC Antennas

## IM10 RFID

### Module



#### Tested Original Grant

<b>Intermec Part Number</b>	N/A see Product Links
<b>Proposed Intermec M/N</b>	N/A
<b>Description</b>	915, 5.5 dBi, multi-linear, TNC
<b>Frequency Range</b>	902-928 MHz
<b>Gain</b>	5.5 dBi linear
<b>Impedance</b>	50 Ohms
<b>VSWR</b>	max. 1.7:1
<b>Axial Ratio</b>	
<b>Polarization</b>	Multi-axis
<b>Front-to-Back Ratio</b>	NA
<b>Maximum Input Power</b>	1 Watt
<b>H-Plane Beamwidth</b>	
<b>E-Plane Beamwidth</b>	360 degrees
<b>Connector</b>	TNC Reverse Polarity
<b>Cable Length</b>	1.5 m (5 ft)
<b>Weight</b>	1.8 kg (4 lbs)
<b>Dimensions</b>	2.2 m x 229 mm x 38 mm (87" x 9" x 1.5")
<b>Shock</b>	
<b>RoHS, WEEE Status</b>	
<b>Mounting Hardware</b>	
<b>Manufacturer</b>	NeWave Sensor Solutions
<b>Manufacturer M/N</b>	NSS Wave-N7
<b>Manufacturer P/N</b>	
<b>Product ID</b>	

# FCC Antennas

## IM10 RFID

### Module



<b>Intermec Part Number</b>	N/A see Product Links
<b>Proposed Intermec M/N</b>	N/A
<b>Description</b>	915, 4.5 dBi, multi-linear, TNC
<b>Frequency Range</b>	902-928 MHz
<b>Gain</b>	4.5 dBi linear
<b>Impedance</b>	50 Ohms
<b>VSWR</b>	max. 1.7:1
<b>Axial Ratio</b>	
<b>Polarization</b>	Multi-axis
<b>Front-to-Back Ratio</b>	NA
<b>Maximum Input Power</b>	1 Watt
<b>H-Plane Beamwidth</b>	
<b>E-Plane Beamwidth</b>	360 degrees
<b>Connector</b>	TNC Reverse Polarity
<b>Cable Length</b>	1.5 m (5 ft)
<b>Weight</b>	1.4 kg (3 lbs)
<b>Dimensions</b>	1.55 m x 229 mm x 38 mm (61" x 9" x 1.5")
<b>Shock</b>	
<b>RoHS, WEEE Status</b>	
<b>Mounting Hardware</b>	
<b>Manufacturer</b>	NeWave Sensor Solutions
<b>Manufacturer M/N</b>	NSS Wave-N5
<b>Manufacturer P/N</b>	
<b>Product ID</b>	

# FCC Antennas

## IM10 RFID

### Module



<b>Intermec Part Number</b>	N/A see Product Links
<b>Proposed Intermec M/N</b>	N/A
<b>Description</b>	915, 3 dBi, multi-linear, TNC
<b>Frequency Range</b>	902-928 MHz
<b>Gain</b>	3.0 dBi linear
<b>Impedance</b>	50 Ohms
<b>VSWR</b>	max. 1.7:1
<b>Axial Ratio</b>	
<b>Polarization</b>	Multi-axis
<b>Front-to-Back Ratio</b>	NA
<b>Maximum Input Power</b>	1 Watt
<b>H-Plane Beamwidth</b>	
<b>E-Plane Beamwidth</b>	360 degrees
<b>Connector</b>	TNC Reverse Polarity
<b>Cable Length</b>	1.5 m (5 ft)
<b>Weight</b>	0.8 kg (1.7 lbs)
<b>Dimensions</b>	915 x 229 x 38 mm (36" x 9" x 1.5")
<b>Shock</b>	
<b>RoHS, WEEE Status</b>	
<b>Mounting Hardware</b>	
<b>Manufacturer</b>	NeWave Sensor Solutions
<b>Manufacturer M/N</b>	NSS Wave-N3
<b>Manufacturer P/N</b>	
<b>Product ID</b>	

# FCC Antennas

## IM10 RFID

### Module



<b>Intermec Part Number</b>	N/A see Product Links
<b>Proposed Intermec M/N</b>	N/A
<b>Description</b>	915, 5.5 dBi, RHCP, N
<b>Frequency Range</b>	902 - 928 MHz
<b>Gain</b>	2.5 dBi linear
<b>Impedance</b>	50 Ohms
<b>VSWR</b>	< 2.0:1
<b>Axial Ratio</b>	
<b>Polarization</b>	Circular, RH
<b>Front-to-Back Ratio</b>	10 dB
<b>Maximum Input Power</b>	20 Watts
<b>H-Plane Beamwidth</b>	
<b>E-Plane Beamwidth</b>	80 V, 80 H degrees
<b>Connector</b>	N Reverse Polarity Female
<b>Cable Length</b>	6 inch
<b>Weight</b>	0.5 kg (1.1 lbs)
<b>Dimensions</b>	146 mm x 146 mm x 18 mm (5.75" x 5.75" x 0.7")
<b>Shock</b>	
<b>RoHS, WEEE Status</b>	
<b>Mounting Hardware</b>	
<b>Manufacturer</b>	Mobile Mark
<b>Manufacturer M/N</b>	BP6-915
<b>Manufacturer P/N</b>	BP6-915RCP
<b>Product ID</b>	



# FCC Antennas

## IM10 RFID

### Module



<b>Intermec Part Number</b>	N/A see Product Links
<b>Proposed Intermec M/N</b>	N/A
<b>Description</b>	915, 5.5 dBic, RHCP, N
<b>Frequency Range</b>	902 - 928 MHz
<b>Gain</b>	2.5 dBi linear
<b>Impedance</b>	50 Ohms
<b>VSWR</b>	< 1.5:1
<b>Axial Ratio</b>	2.0 dB
<b>Polarization</b>	Circular, RH
<b>Front-to-Back Ratio</b>	8 dB
<b>Maximum Input Power</b>	10 Watts
<b>H-Plane Beamwidth</b>	
<b>E-Plane Beamwidth</b>	100 degrees
<b>Connector</b>	TNC Reverse Polarity Female
<b>Cable Length</b>	
<b>Weight</b>	0.37 kg (0.8 lbs)
<b>Dimensions</b>	132 mm x 132 mm x 18 mm (5.2" x 5.2" x 0.7")
<b>Shock</b>	IEC 68-2-27
<b>RoHS, WEEE Status</b>	
<b>Mounting Hardware</b>	
<b>Manufacturer</b>	Laird
<b>Manufacturer M/N</b>	S9025P
<b>Manufacturer P/N</b>	S9025PR
<b>Product ID</b>	