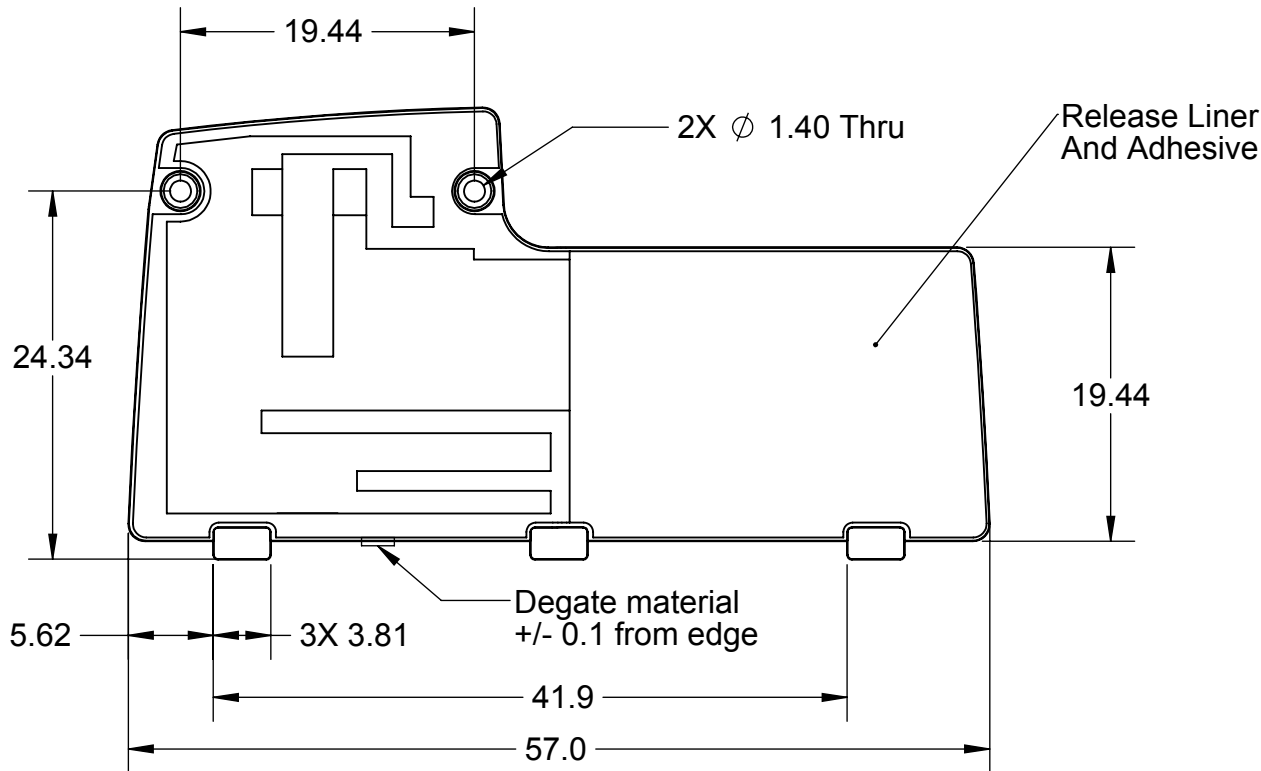


REVISIONS				
REV.	ECR#	DESCRIPTION	CHANGED BY/DATE	APPROVED BY/DATE



Preliminary

Parameter	Value
Customer Part Number	805-683-001
Frequency	826-894 MHz 1710-2170MHz
Normal Impedance	50 Ω
VSWR	3.0:1

The component(s), including any plating, finishes, coatings, chemicals and surfaces treatments, supplied in this document/drawing must conform and comply with the latest issue of Laird Technologies Specification LT-GES-001, which fully includes but is not limited to all contents of EU Directives 2002/95/EC (RoHS Directive), as well as includes requirements of the Joint Industry Guide standard JIG-101, April 2005. The component(s) in this document/drawing may be subject to a full compound analysis for proof of compliance. The latest issue of Laird Technologies Specification LT-GES-001, (General Specification for the Environment) is readily available upon request from the supplier.

UNLESS OTHERWISE NOTED, THIS DOCUMENT CONTAINS LAIRD TECHNOLOGIES CONFIDENTIAL INFORMATION. REPRODUCTION, USE, DISCLOSURE OR TRANSMITTAL OF ALL OR ANY PART OF THIS DOCUMENT IS PROHIBITED EXCEPT TO THE EXTENT APPROVED IN WRITING BY AN AUTHORIZED REPRESENTATIVE OF LAIRD TECHNOLOGIES. LAIRD TECHNOLOGIES RESERVES ALL RIGHTS UNDER PATENTS, TRADEMARKS, COPY RIGHTS AND TRADE SECRETS. COPYRIGHT, LAIRD TECHNOLOGIES 2010. ALL RIGHTS RESERVED.

MATERIAL:		
FINISH:		
APPROVALS		DATE
DRAWN BY	EJR	6/12/2012
PROJ. ENG.		
APPL. MECH.		
MFG.		

THIRD ANGLE PROJECTION
DO NOT SCALE DRAWING
INTERPRET DIMENSIONING AND TOLERANCING IN ACCORDANCE WITH ASME Y14.5M-2009
TOLERANCES UNLESS OTHERWISE SPECIFIED
DIMENSIONS ARE IN MILLIMETERS
ANGLE: ±30'
0 PLACE DECIMAL: ±0.5
1 PLACE DECIMAL: ±0.25
2 PLACE DECIMAL: ±0.13
SURFACE ROUGHNESS $\sqrt{1.6}$



MANCHESTER, NH 03103
USA

TITLE:
**Catalina Universal WAN Antenna
Mounting & Outline**

SIZE	DWG. NO.	REV
A4	EMM00019-IT1MO	AA
SCALE: 2:1	PREVIOUS#	SHEET 1 OF 1