

1

Using the Data Collection PC

This chapter introduces the CV61 (Model 1011CM01) Data Collection PC with Windows® 7 or Microsoft Windows XP operating system. Use this chapter to learn about the basic features and available accessories.

Safety Information

Your safety is extremely important. Read and follow cautions in this document before handling and operating Intermec equipment. You can be seriously injured, and equipment and data can be damaged if you do not follow the safety cautions.

This section explains how to identify and understand cautions and notes that are in this document.



A caution alerts you to an operating procedure, practice, condition, or statement that must be strictly observed to prevent equipment damage or destruction, or corruption or loss of data.

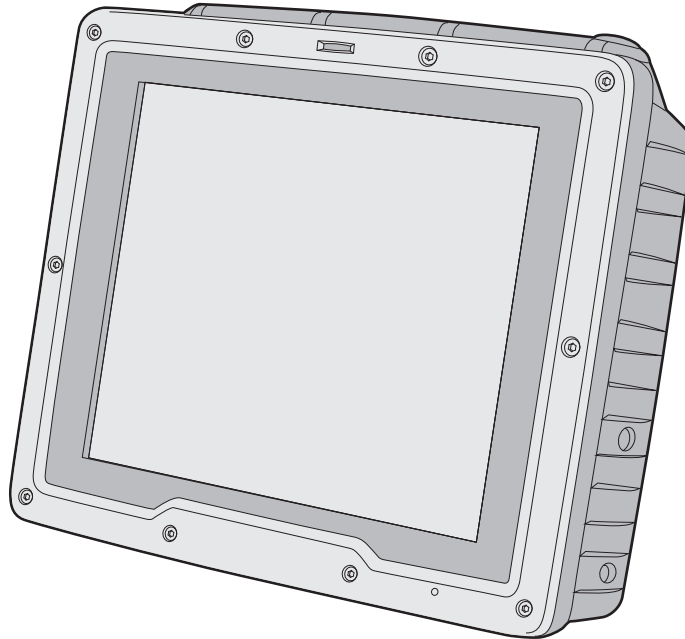


Note: Notes either provide extra information about a topic or contain special instructions for handling a particular condition or set of circumstances.

About the CV61 Data Collection PC

The rugged CV61 Data Collection PC is designed for real-time data collection applications in warehousing, distribution, work-in-process, time and attendance, and stationary applications. The CV61 is highly configurable and runs on the Microsoft Windows 7 or Microsoft Windows XP operating system. Additionally, the CV61 supports the use of terminal emulation applications, browser-based applications, or custom applications.

CV61 Data Collection PC



Overview of CV61 Features

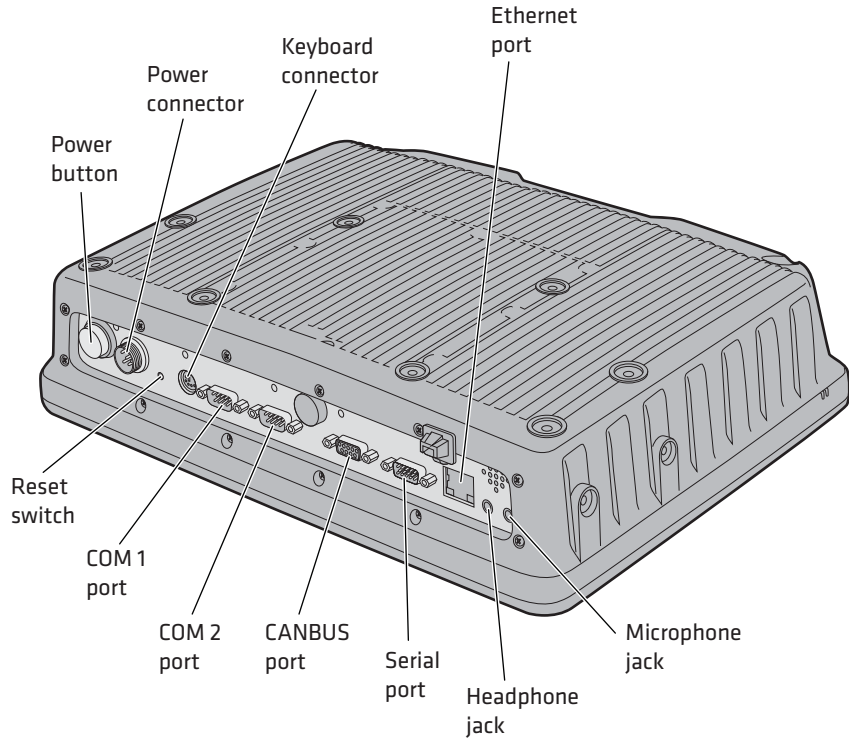
The CV61 includes these standard features:

- 12.1” color sunlight-readable XGA display
- Two USB ports, two COM ports, a CANBUS port, an Ethernet port, a headphone jack, and a microphone jack
- 1 GB of RAM expandable to 3 GB of RAM
- Customer-accessible SD slot for memory cards up to 32 GB
- 802.11a/b/g/n and Bluetooth® radios
- Accelerometer
- Intel D425 1.8 GHz processor



The CV61 Data Collection PC has an IEEE 802.11a/b/g/n radio installed and Wi-Fi® certified for interoperability with other 802.11a/b/g/n wireless LAN devices.

CV61 Ports and Buttons



CV61 Port and Buttons

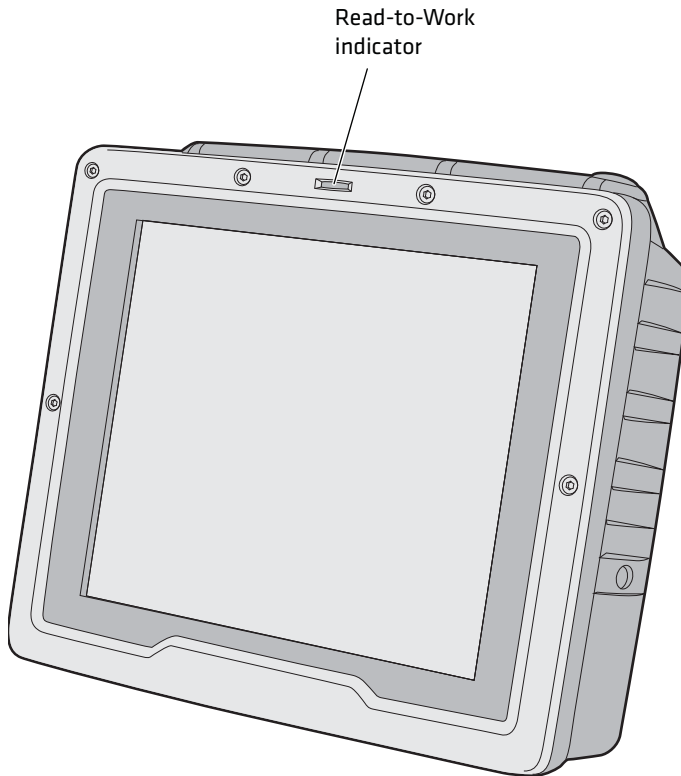
Port and Buttons	Description
Power button	Turns the CV61 on or off.
Power connector	Connect the CV61 to an AC or DC/DC power supply. For more information, see “Connecting the CV61 to Power” on page 7.
Reset button	Perform a hard reset to the CV61.
Keyboard connector	Connect a PS2 keyboard to the CV61.
COM 1 and COM2 port	Connect RS-232 devices such as a printer or scanner to the CV61.
CANBUS port	Connect a CANBUS cable to allow devices to communicate with each other within a vehicle without a host computer.
USB port	Connect USB devices such as a printer or scanner to the CV61.

Port and Buttons	Description
Ethernet port	Connect the CV61 to an Ethernet interface.
Headphone jack	Connect headphones to the CV61.
Microphone jack	Connect a microphone to the CV61.

About the Ready-to-Work Indicator

The Ready-to-Work indicator is a status LED on the CV61 that indicates the state of the CV61.

Ready-to-Work Indicator Location



Ready-to-Work Indicator Status

LED	Description
On	The CV61 is powered on.

LED	Description
Blinking	The backup battery is low on power.
Off	The CV61 is off.

CV61 Accessories

The CV61 does not ship with any accessories. All accessories are sold and ordered separately. For help, contact your local Intermec sales representative.

CV61 Accessories

Accessory	Description
AC Power Supply	Use this power supply kit to supply AC power to the CV61. The AC power supply comes with a North American power cord. You need to purchase a country-specific power cord for your local power source.
DC/DC (15-96 VDC) Power Supply	Use this power supply kit with 15-96 V powered vehicles requiring a 60 V or higher DC interface.
Desktop Mounting Kit	Use the desktop mounting kit to attach the CV61 to a flat surface such as a desktop.
Vehicle Mounting Kit	Use the vehicle mounting kit to attach the CV61 to a vehicle such as a forklift or truck. This kit does not include a power supply, which can be purchased separately. For more information, contact your local Intermec sales representative.
Keyboard	Use the CV61 keyboard to input text. The keyboard is rugged and has an IP65 seal rating.
Keyboard Tray Mounting Kit	Use the keyboard tray mounting kit to attach the CV61 keyboard to the CV61.

Mounting the CV61

To properly mount the CV61 to a desktop or vehicle, you must purchase either a Desktop or Vehicle Mounting Kit.

There are two mounting kit options sold separately:

- Standard Vehicle Mounting Kit
- Desktop Mounting Kit

For more information on installing the mounting kits, see the CV61 Vehicle Mounting Kit Installation Instructions.

Connecting the CV61 to Power

The CV61 has an internal 9-60 VDC power supply. For the CV61 to operate, you must provide power to the CV61 through a DC/DC power supply or an AC/DC power supply.

There are two power options for the CV61. You must order one of these power options separately:

- DC/DC Converter Kit (15-96 V) for non-heated displays
- AC Wall Charging Kit

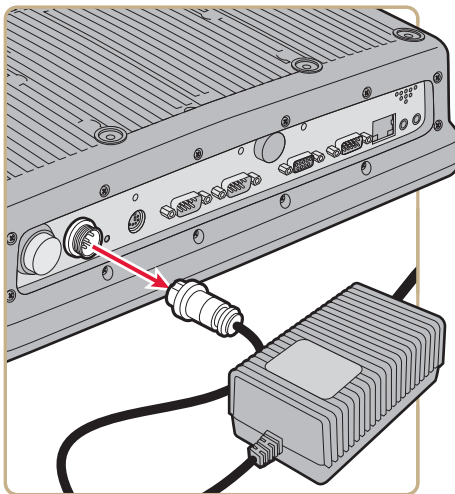
Use the AC power supply and power cord when you are using the CV61 with the Desktop Mounting Kit. For more information on installing the DC power options, see the Vehicle Power Supply Installation Guide.

Installing an SD Card

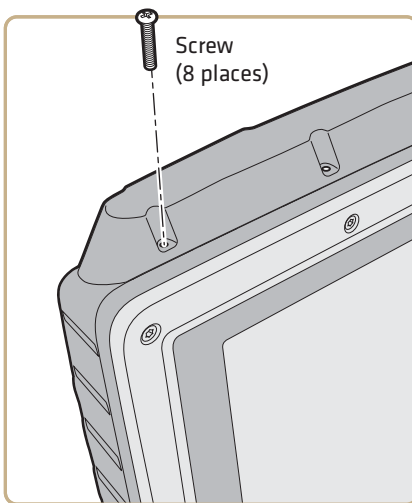
You can use an SD card to increase file storage and install software. The computer supports an optional 32 GB maximum capacity SD card.

To install an SD card on the CV61:

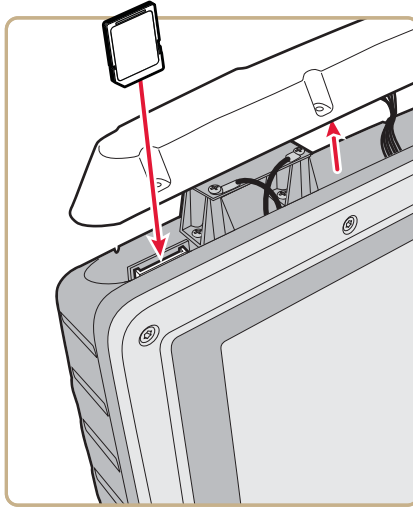
- 1 Turn off the CV61.
- 2 Remove the power cord.



- 3** Using a small Phillips screwdriver, remove the eight screws that secures the radome cover to the CV61.

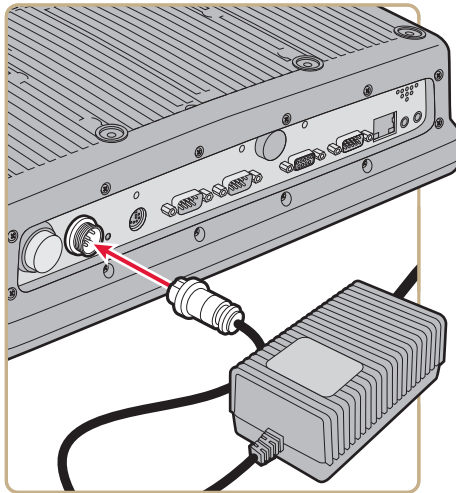


- 4** Gently lift up the radome cover to expose the SD card slot.
- 5** Insert the SD card into place.



6 Close the radome cover and replace the ten screws.

7 Reattach the power cord.



8 Press the **Power** button. The computer turns on.

Adjusting the Volume

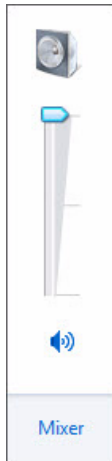
You can change the CV61 volume, for sounds you hear when you tap the screen or scan bar codes with a scanner, to adjust to your needs and the environment.

To adjust the volume:

- 1 Tap the speaker icon in the taskbar.



- 2 Use the stylus to move the speaker slider up or down, or tap the speaker icon in the slider to turn the volume on or off.



About the Touch Screen

12.1” color XGA touch screen display with a resolution of 1024 x 768 pixels. The display also comes with a heater to reduce condensation on the external surface of the display when moving between sub-freezing temperatures and normal temperatures.

If you are going to use the CV61 in extreme cold conditions for an extended period of time, you should turn on the power at room temperature for at least 15 minutes prior to using it. This process of “warming up” helps preserve the lighting on the display.

The default screen appears on the display when you turn on the CV61. This screen appears unless you are running ITE. If you have installed ITE, it launches after the initial booting process.

Windows 7 Default Screen on the CV61



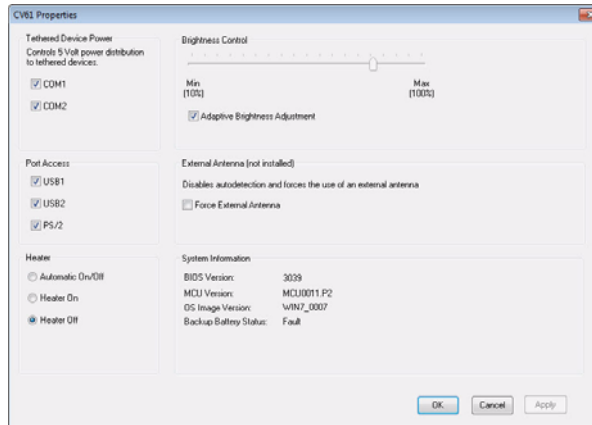
Windows 7
Taskbar

Enabling the Heated Display

Use the heated display to help reduce condensation on an external surface when you are moving between sub-freezing and normal temperatures.

To enable the heated display

- 1 Tap Start > Control Panel > CV61 Properties.**



2 In **Heater**, select **Heater On**, **Heater Off**, or **Automatic On/Off**.

Navigating the Touch Screen

Use a stylus or your fingers to navigate the touch screen on the CV61.

Touch Screen Navigation

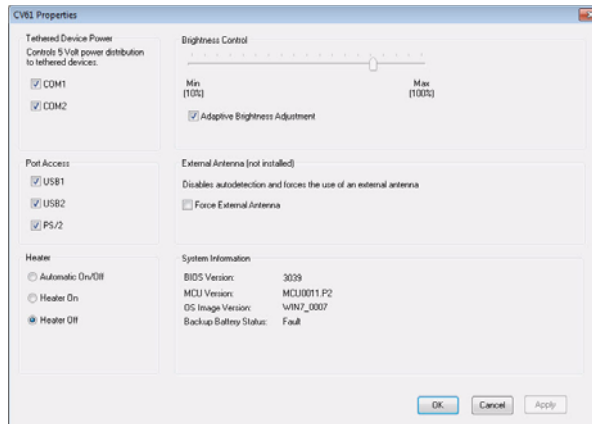
Action	Description
Tap	Touch the screen once with the stylus or finger to select options, open or close applications, or launch menus.
Double tap	Double tap the screen with the stylus or your finger to launch applications.
Drag	Hold the stylus or your finger on the screen and drag across the screen to select text and images.
Tap and hold	Tap and hold the stylus or your finger on an item to see a menu of actions available for that item. On the pop-up menu that appears, tap the action you want to perform.

Adjusting the Screen Brightness

By default, the CV61 has a built-in ambient light sensor that adjusts the screen brightness automatically depending on the current lighting conditions. You can adjust the brightness of the screen manually if you do not want to use this feature.

To adjust the screen brightness manually:

- 1 Tap **Start > Control Panel > CV61 Properties**.



- 2 In **Brightness Control**, make sure that **Adaptive Brightness Control** is not selected.
- 3 Using the slider, adjust the screen brightness.
- 4 Tap **Apply** to save your changes.
- 5 Tap **OK** to exit the CV61 Properties menu.

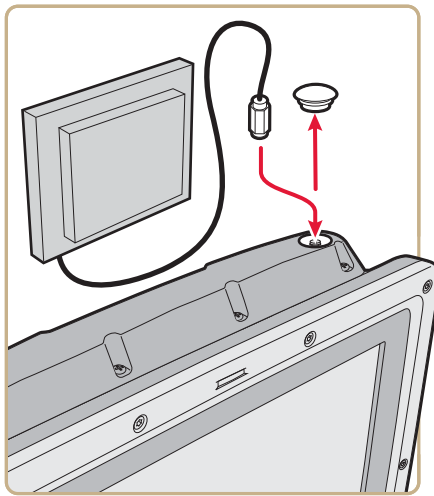
Installing an External Antenna

You can purchase an antenna to mount on a wall, forklift, or other flat surface using either screws or small patches of adhesive-backed hook and loop fastener material.

Since system performance and antenna polarization are site-dependent, a permanent mounting location may require some experimentation. In most fixed installations, you should mount the antenna initially in a vertically-polarized position, with the cable from the antenna parallel to the floor and ceiling.

To connect an external antenna:

- 1 Remove the antenna cover.

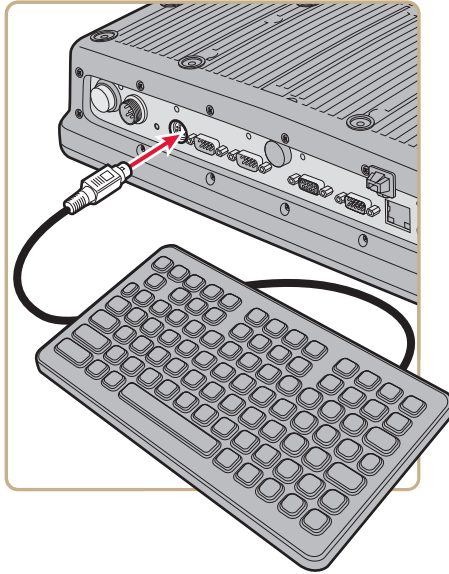


- 2** Secure the antenna to the CV61 antenna plug.
- 3** Using your own hardware, secure the external antenna to a wall, forklift, or other flat surface.

Attaching an External Keyboard

You can use either a PS/2 or USB keyboard with the CV61. Intermec recommends you use CV61 rugged keyboard to input text. For more information on purchasing the Intermec keyboard, contact your local Intermec representative.

CV61 External PS/2 Keyboard



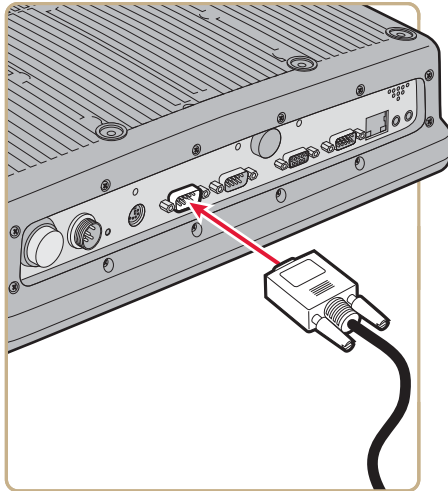
Connecting a Tethered Scanner

You can attach a tethered scanner to one of the serial (COM1 or COM2) connectors on the CV61 if you order the the appropriate RS-232 cable.

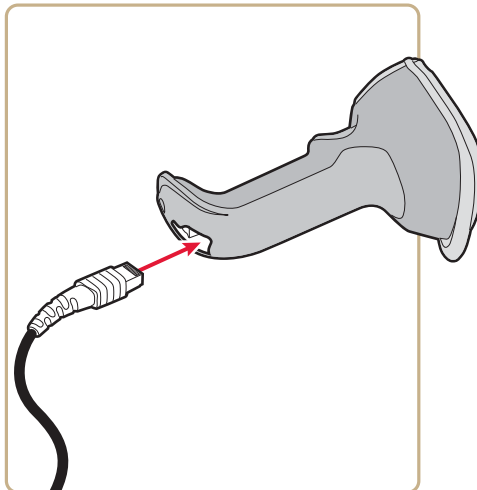
Chapter 1 – Using the Data Collection PC

To connect a tethered scanner:

- 1) Attach the RS-232 cable to one of the COM ports on the CV61.



- 2) Attach the other end of the cable to a tethered scanner.



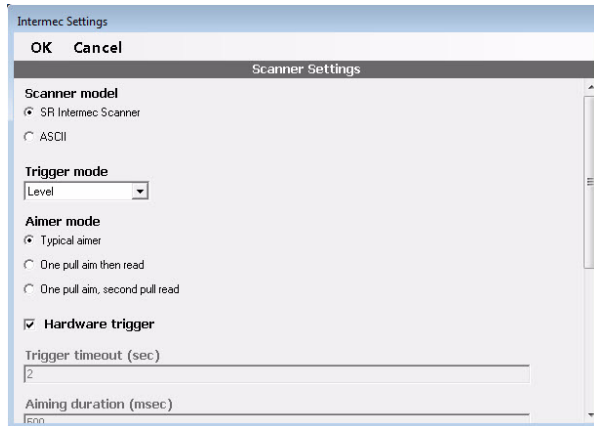
- 3) Select **Start > Control Panel > Intermec Settings**.



- 4) Go to **Data Collection** > **Tethered Scanner** > **Enable Scanner Port**.
- 5) Make sure **Enable scanner port** is checked.



- 6) Tap **OK** to save your settings.
- 7) Go to **Scanner Settings** > **Scanner model** and select your scanner from the list.



If you are configuring an ASCII scanner, select **ASCII** from the Scanner model list and configure the scanner port settings to match the scanner after Intermecc Settings refreshes.

- 8) Tap **OK** to save your settings.

Depending on the scanner you are connecting, you may hear a series of beeps and the Good Read LED may flash. You are now ready to use your scanner.

- 9) Tap **Menu > Exit** to exit Intermecc Settings.

Physical and Environmental Specifications

Physical Dimensions

Dimensions 27.5 x 34.4 x 8.5 cm (10.8 x 13.5 x 3.3 in)

Weight 5.2 kg (11.5 lbs)

Environmental Specifications

Standard Operating temperature -20°C to 50°C (-4°F to 122°F)

Extreme operating temperature -30°C to 50°C (-22°F to 122°F)

Storage temperature -30°C to 70°C (-22°F to 158°F)

Relative humidity 5% to 95% non-condensing

Power and Electrical Specifications

Operating	9-60 VDC input DC/DC with internal power converter 60-96 VDC input DC/DC with external power converter AC/DC converter
Electrical rating	--- 9-60 VDC isolated

Operating System

Microsoft Windows XP with Service Pack 3

Microsoft Windows 7 Professional

Hardware

Processor	Intel Atom D425 1.8 GHz processor
Memory	1 GB expandable to 3 GB
Removable storage	Up to 32 GB user-accessible SD card slot

Touch Screen Specifications

12.1" color sunlight-readable XGA display with a resolution of 1024 x 768 pixels, with optional heated display.

Standard Communications

- 802.11a/b/g/n
- Bluetooth
- USB
- Serial
- Ethernet

Wireless LAN

Data rates	Supports all 802.11a/b/g/n data rates.
Security	WPA, WPA2, 802.1x (EAP-TLS, TTLS, LEAP, PEAP, EAP-FAST), WEP

CV61 Compliance Insert

Model 1011CM01



Caution: This marking indicates that the user should read all included documentation before use.

The users of this product are cautioned to use accessories and peripherals approved by Intermec Technologies Corporation. The use of accessories other than those recommended, or changes to this product that are not approved by Intermec Technologies Corporation, may void the compliance of this product and may result in the loss of the user's authority to operate the equipment.



Caution: For vehicle applications observe all warnings and cautions contained in installation instructions. Installations involving vehicle power sources above 60 V should be done by a trained service person to avoid injury or damage to equipment.



Caution: For use with Intermec battery pack Model 1011AB01 only. See battery instructions. For power supply, use Model 9006AE01, 851-070-001, or Model AE10. No user-serviceable parts.

Battery Information



Caution: The batteries used in this device may ignite, create a chemical burn hazard, explode, or release toxic materials if mistreated. Do not incinerate, disassemble, or heat above 100 °C (212 °F). Do not short circuit; may cause burns. Keep away from children. Promptly dispose of used batteries according to the instructions.

Battery Recycling Information



This product contains or uses a lithium-ion (Li-ion) main battery. When the battery reaches the end of its useful life, the spent battery should be disposed of by a qualified recycler or hazardous materials handler. Do not mix this battery with the solid waste stream. Contact your Intermec Technologies Service Center for recycling or disposal information.

Note: In the U.S.A., the EPA does not consider spent Li-ion batteries as hazardous waste.

Radiation Exposure Statement

Radio Wave Exposure and Specific Absorption Rate (SAR) Information



Warning: This equipment complies with International Commission on Non-Ionizing Radiation Protection (ICNIRP), IEEE C95.1, Federal Communications Commission Office of Engineering and Technology (OET) Bulletin 65, Canada RSS-102, and CENELEC limits for exposure to radio frequency (RF) radiation.

Use of antennas and accessories not authorized may void the compliance of this product and may result in RF exposures beyond the limits established for this equipment.

When installing and using this product, a 20 cm (or greater distance per MPE calculation) passing distance must be maintained from the body or head of the user or nearby persons and the antenna. The antenna must not be touched during transmitter operation.

For Users in the United States and Canada

Digital Emissions Compliance

This device complies with part 15 of the FCC Rules and with Industry Canada license-exempt RSS standards. Operation is subject to the following two conditions: (1) this device may not cause harmful interference, and (2) this device must accept any interference received, including interference that may cause undesired operation.

This equipment has been tested and found to comply with the limits for a Class A digital device, pursuant to part 15 of the FCC Rules. These limits are designed to provide reasonable protection against harmful interference when the equipment is operated in a commercial environment. This equipment generates, uses, and can radiate radio frequency energy and, if not installed and used in accordance with the instruction manual, may cause harmful interference to radio communications.

Operation of this equipment in a residential area is likely to cause harmful interference in which case the user will be required to correct the interference at their own expense.

802.11 Radio Precaution Statement



Caution: Users are responsible for configuring the channels of operation that comply with their country regulatory standards. A Wireless Network Administrator should review the operating restrictions detailed within the Access Point installation manual.

- 802.11a wireless LAN 5150 to 5250 MHz (5.15 to 5.25 GHz) (5 GHz radio channels 34 to 48) is restricted to indoor operations to reduced harmful interference to co-channel Mobile Satellite System (MSS) operations.
- The maximum antenna gain permitted for devices in the bands 5250 to 5350 MHz and 5470 to 5725 MHz shall comply with the e.i.r.p. limit.
- The maximum antenna gain permitted for devices in the band 5725 to 5825 MHz shall comply with the e.i.r.p. limits specified for point-to-point and non point-to-point operation as appropriate.
- Be advised that high-power radars are allocated as primary users (i.e. priority users) of the bands 5250 to 5350 MHz and 5650 to 5850 MHz and that these radars could cause interference and/or damage to LE-LAN devices.



Worldwide Headquarters
6001 36th Avenue West
Everett, Washington 98203
U.S.A.

tel 425.348.2600

fax 425.355.9551

www.intermec.com

© 2012 Intermec Technologies Corporation. All rights reserved.



CV61 Compliance Insert



P/N 933-283-001, Revision A

Canadian Digital Apparatus Compliance

This Class A digital apparatus meets all requirements of the Canadian Interference-Causing Equipment Regulations ICES-3.

EN 55022/CISPR 22 Compliance



Warning: This is a Class A product. In a domestic environment, this product may cause radio interference in which case the user may be required to take adequate measures.

R&TTE Declaration Information

Intermec Technologies Corporation declares that this device is in accordance with the essential requirements and other provisions of R&TTE Directive (1995/5/EC). For a copy of the Declaration of Conformity, go to www.intermec.com > **Products** > **Computers** > **Fixed Vehicle Computers** > **CV61** > **Manuals** tab and scroll down to Regulatory Information.



Caution: 802.11a wireless LAN 5.15 to 5.35 GHz is limited to indoor use only.

802.11a Radio Mode: The following table indicates the areas of intended use of the equipment and any known restrictions as defined in ERC/REC 70-03 E 2011:08, Annex 3 Band B and C.

The transmitter module's output power is 183.65 mW EIRP. The products using this module are intended for business and industrial environments. They should not be used in residential environment.

Note: Dynamic Frequency Selection and Transmit Power Control are required in the 5250 to 5350 and 5470 to 5725 MHz frequency range.

Country of Intended Use	CEPT Abbr.	Yes	No	License Required	Restrictions	Details
Austria	AUT	X				
Belgium	BEL	X				
Bulgaria	BUL	X				
Cyprus	CYP	X				
Czech Republic	CZE	X				
Denmark	DNK	X				
Estonia	EST	X				
Finland	FIN	X				
France	F	X				
Germany	D	X				
Greece	GRC	X				
Hungary	HNG	X				
Ireland	IRL	X				
Italy	I	X			X	For private use, a general authorisation is required if WAS/RLANs are used outside own premises. For public use, a general authorisation is required.
Latvia	LVA	X				
Lithuania	LTU	X				
Luxembourg	LUX	X				General authorization required for network and service supply.
Malta	MLT	X				
The Netherlands	HOL	X				
Poland	POL	X				
Portugal	POR	X				
Romania	ROU	X				
Slovakia	SVK	X				
Slovenia	SVN	X				
Spain	E	X				
Sweden	S	X				
United Kingdom	G	X				
Other non-EU:		X				
Iceland	ISL	X				

802.11 라디오 주의 사항



주의 : 사용자는 해당 국가의 규정 기준을 준수하는 작동 채널 구성에 대한 책임이 있습니다 . 무선네트워크 관리자는 액세스 포인트 설치 매뉴얼 내에 상세히 기술된 작동 제한규정을 검토해야 합니다 .



주의 : 802.11a 무선 LAN 5150 – 5350 MHz(5.15 – 5.35 GHz) 는 실내 사용으로만 제한됩니다 .

참고 : 5250 – 5350 MHz 주파수 범위에서는 동적 주파수 선택 (DFS: Dynamic Frequency Selection) 및 송신출력제어 (TPC: Transmit Power Control) 가 필요합니다 .

Country of Intended Use	CEPT Abbr.	Yes	No	License Required	Restrictions	Details
Liechtenstein	LIE	X				
Norway	NOR	X				
Switzerland	SUI	X				
Turkey	TUR	X			X	5470 to 5725 MHz not implemented.

Bluetooth and 802.11b/g Radio Mode: The transmitter output power is 71.94 mW EIRP. The following table indicates the areas of intended use of the equipment and any known restrictions. (Revision ERC/REC 70-03 E 2011:08, Annex 3 Band A)

Country of Intended Use	CEPT Abbr.	Yes	No	License Required	Restrictions	Details
Austria	AUT	X				
Belgium	BEL	X				
Bulgaria	BUL	X				
Cyprus	CYP	X				
Czech Republic	CZE	X				
Denmark	DNK	X				
Estonia	EST	X				
Finland	FIN	X				
France	F	X			X	Outdoor operation restricted to less than 10 mW EIRP in 2454 to 2483.5 MHz band.
Germany	D	X				
Greece	GRC	X				
Hungary	HNG	X				
Ireland	IRL	X				
Italy	I	X		X		For private use, a general authorisation is required if WAS/RLANs are used outside own premises. For public use, a general authorisation is required.
Latvia	LVA	X				
Lithuania	LTU	X				
Luxembourg	LUX	X				General authorization required for network and service supply.
Malta	MLT	X				
The Netherlands	HOL	X				
Poland	POL	X				
Portugal	POR	X				
Romania	ROU	X				
Slovakia	SVK	X				
Slovenia	SVN	X				
Spain	E	X				
Sweden	S	X				
United Kingdom	G	X				
Other non-EU:		X				
Iceland	ISL	X				
Liechtenstein	LIE	X				
Norway	NOR	X				This subsection does not apply for the geographical area within a radius of 20 km from the centre of Ny-Ålesund.
Switzerland	SUI	X				

Pour les utilisateurs canadiens et français



Attention: Cette marque indique que l'utilisateur doit lire toute la documentation fournie avant usage. Conservez ce supplément pour référence future.

Les utilisateurs de ce produit sont mis en garde contre l'utilisation d'accessoires et de périphériques qui ne sont pas approuvés par Intermec Technologies Corporation. L'utilisation d'accessoires autres que ceux recommandés, ou des modifications à ce produit qui ne sont pas approuvées par Intermec Technologies Corporation, peuvent annuler la conformité de ce produit et avoir comme résultat la perte de l'autorité de l'utilisateur à faire fonctionner l'équipement.



Attention: Pour les applications automobiles, observez les avertissements et les mises en garde de la notice d'installation. Les installations impliquant les sources d'alimentation d'un véhicule de plus de 60 V doivent être réalisées par un technicien qualifié pour éviter tout risque de blessure ou d'endommager l'équipement.



Attention: Pour le bloc d'alimentation, utilisez le modèle 1011AB01. Voir les instructions pour la batterie. Pour l'alimentation, utilisez le modèle 9006AE01, 851-070-0001, ou modèle AE10. Elle ne contient aucune pièce réparable par l'utilisateur.

Informations pour la pile



Attention: Il est possible que le bloc-piles utilisé dans cet appareil présente un risque d'incendie ou de brûlure en cas de manipulation impropre. Ne pas jeter au feu, démonter ni chauffer à plus de 100 °C. Ne pas court-circuiter sous peine de brûlures. Garder hors de portée des enfants. Mettre rapidement au rebut tout bloc-piles usé, conformément aux instructions.

Informations sur le recyclage de la batterie



Ce produit contient des piles au lithium-ion. Lorsque la pile atteint la fin de sa vie utile, elle devrait être mise au rebut par une entreprise qualifiée de recyclage ou de traitement des déchets dangereux. Ne pas jeter cette batterie dans les ordures ménagères. Pour des informations sur le recyclage ou la mise au rebut, contacter le centre de réparation Intermec Technologies le plus proche.

Énoncé sur l'exposition aux radiations

Information sur l'exposition aux ondes radioélectriques et sur le débit d'absorption spécifique (DAS)



Avertissement: Cet appareil est conforme à la Commission internationale pour la protection contre les rayonnements non ionisants, à la norme IEEE C95.1, au Bulletin 65 du Federal Communications Commission Office of Engineering and Technology (OET), à la norme Canada RSS-102 et aux limites d'exposition au rayonnement à fréquence radioélectrique du CENELEC.

L'utilisation d'antennes et d'accessoires non homologués peut annuler la conformité de ce produit et entraîner des expositions RF au-delà des limites fixées pour cet appareil.

Lors de l'installation et de l'utilisation de ce produit, il est impératif de maintenir une distance de passage de 20 cm (ou une plus grande distance d'après le calcul MPE) entre le corps ou la tête de l'utilisateur ou des personnes à proximité et l'antenne. Il ne faut pas toucher à l'antenne pendant le fonctionnement de l'émetteur.

Pour les utilisateurs canadiens

802.11 Énoncé de mise en garde radio



Attention: Il incombe aux utilisateurs de configurer les canaux de fonctionnement de manière à ce qu'ils se conforment aux normes réglementaires de leur pays. L'administrateur d'un réseau sans fil doit revoir les restrictions de fonctionnement indiquées en détail au manuel d'installation du point d'accès.

- L'utilisation du LAN 802.11a sans fil 5,15 à 5,25 GHz (canaux radio 5 GHz 34 à 48) est limitée à l'intérieur afin de réduire les interférences nuisibles au fonctionnement des systèmes mobiles par satellite (SMS) partageant les mêmes canaux.
- Le gain d'antenne maximum autorisé pour les appareils utilisant les bandes de 5250 à 5350 MHz et 5470 à 5725 MHz doit respecter la limite de puissance isotrope rayonnée équivalente.
- Le gain d'antenne maximum autorisé pour les appareils utilisant la bande de 5725 à 5825 MHz doit respecter la limite de puissance isotrope rayonnée équivalente spécifiée pour un fonctionnement point-à-point et non-point-à-point, selon le cas.
- Veuillez prendre note que les radars à grande puissance sont traités à titre d'utilisateurs principaux (utilisateurs prioritaires) des bandes de 5250 à 5350 MHz et 5650 à 5850 MHz et que ces radars peuvent nuire au fonctionnement et/ou endommager les appareils LAN-EL (réseaux locaux sans fil exempts de licence).

Conformité aux normes relatives aux appareils numériques

Cet appareil est conforme aux normes RSS avec exemption de licence d'Industrie Canada. L'utilisation est assujettie aux deux conditions suivantes : (1) ce dispositif ne doit pas causer d'interférence dommageable et (2) ce dispositif doit tolérer toute interférence, incluant l'interférence pouvant causer un fonctionnement indésirable.

Cet appareil numérique de classe A respecte toutes les exigences des réglementations canadiennes ICES-3 sur les équipements susceptibles de causer des interférences.

Conformité à la norme EN 55022/CISPR 22



Attention: Ceci est un appareil de classe A. Dans un environnement domestique, cet appareil peut créer des interférences radio.

Declaración de precaución de radio 802.11



Precaución: Los usuarios son responsables de configurar los canales de operación para cumplir con los estándares reglamentarios de su país. Un Administrador de la red inalámbrica debe revisar las restricciones operativas detalladas dentro del manual de instalación de Access Point.



Precaución: La red inalámbrica 802.11a de 5150 a 5350 MHz (5.15 a 5.35 GHz) está limitada exclusivamente a uso al aire libre.

Nota: La selección de la frecuencia dinámica y el control de la energía de transmisión son obligatorios para el rango de frecuencia de 5250 a 5350 y de 5470 a 5725 MHz.

Usó en Chile de 802.11



Precaución: El uso en Chile de la red LAN 802.11bg inalámbrica 2.40 a 2.4835 GHz (radiocanales de 2.4 GHz 1 a 13) está restringido a las operaciones en interiores.



Precaución: El uso en Chile de la red LAN 802.11a inalámbrica 5.15 a 5.35 GHz (radiocanales de 5 GHz 34 a 64) y 5.725 a 5.85 GHz (radiocanales de 5 GHz 149 a 165) está restringido a las operaciones en interiores.

Usó en México



Precaución: Los sistemas, dispositivos o productos que utilicen las bandas de frecuencias del espectro radioeléctrico de uso libre materia del presente Acuerdo, no deberán provocar interferencias perjudiciales a equipos de usuarios que cuenten con permiso o concesión, en cuyo caso deberán cesar su operación hasta que se eliminen las mismas. Asimismo, no tendrán protección contra interferencias provenientes de dichos equipos o de otros que se encuentren debidamente homologados.

한국 사용자용



주의 : 이 표시는 사용자가 제품을 사용하기 전에 포함된 모든 문서를 읽어야 함을 나타냅니다 . 향후 참고를 위해 본 자료를 보관하십시오 .

Intermec Technologies Corporation 에서 승인한 부속품 및 주변 기기를 사용하는 본 제품의 사용자는 주의의 기울여야 합니다 . 권장되지 않은 부속품을 사용하거나 Intermec Technologies Corporation 의 승인 없이 본 제품을 변경할 경우 , 본 제품의 보증이 무효화되거나 정비 조작에 대한 사용자의 권한이 박탈될 수 있습니다 .



주의 : 차량에 사용할 경우 , 설치 지침에 명시된 모든 경고 및 주의 정보를 따르십시오 . 부상 또는 장비 손상 위험이 있으므로 60 V 를 초과하는 차량 전원이 관련된 설치 작업은 반드시 교육 받은 서비스 요원이 수행해야 합니다 .



주의 : 배터리 팩 모델 1011AB01 만 사용하십시오 . 배터리 안내서를 참조하십시오 . 전원 공급은 모델 9006AE01 , 851-070-001 또는 AE10 를 사용하십시오 .

배터리 정보



주의 : 이 장치에 사용된 배터리 팩은 잘못 다룰 경우 불이 붙거나 화학 반응을 일으키거나 폭발하거나 또는 유독 물질이 흘러나올 수 있습니다 . 배터리를 불에 태우거나 분해하거나 100 켈시 이상의 열을 가하지 마십시오 . 배터리를 단락시키지 마십시오 . 화재가 발생할 수 있습니다 . 어린이 손이 닿지 않는 곳에 보관하십시오 . 다 쓴 배터리 팩은 지침에 따라 올바르게 폐기하십시오 .

배터리 재활용 정보



이 제품은 리튬 이온 배터리를 내장 또는 사용하고 있습니다 . 배터리의 수명이 다한 경우 , 다 쓴 배터리는 반드시 공인된 폐기 업체나 위험 물질 처리 작업장을 통해 안전하게 폐기하십시오 . 이 배터리는 다른 쓰레기와 함께 처리할 수 없습니다 . 재활용이나 폐기에 대한 기타 자세한 사항은 Intermec 기술 서비스 센터에 문의하십시오 .

방사선 노출 성명서

전파 노출 및 전자파 인체흡수율 (SAR) 정보



경고 : 경고 : 본 장비는 비전리 방사선 보호 (ICNIRP) 에 대한 국제위원회 , IEEE C95.1 , 미국 연방 통신 위원회의 엔지니어링 및 기술사무소 (OET) 간행물 65 , 캐나다 RSS-102 및 무선 주파수 (RF) 복사의 노출에 대한 CENELEC 한도를 준수합니다 .

공인되지 않은 안테나 및 부속품을 사용하면 본 제품의 규정 준수 여부를 무효화시키고 본 장비에 대해 수립된 한도를 벗어나는 RF 노출을 유발할 수 있습니다 .

본 제품을 설치 및 사용할 때는 사용자 신체나 머리로부터 또는 사람과 안테나 주변에서 20 cm 거리를 유지해야 합니다 . 송신기 작동 중에 안테나를 만지지 않아야 합니다 .

EN 55022/CISPR 22 ile Uyumluluk



Uyarı: Bu A Sınıfı bir üründür. Bu ürün, iç mekanda kullanıcının uygun tedbirleri almasını gerektirebilecek radyo parazitine neden olabilir.

R&TTE Bildirimi

Intermec Technologies Corporation, bu cihazın R&TTE Direktifi'nin (1999/5/EC) temel gereklilikleri ve diğer ilgili hükümlerine uygun olduğunu bildirmektedir. Uygunluk Beyanı'nın kopyası için www.intermec.com > **Products** > **Computers** > **Fixed Vehicle Computers** > **CV61** > **Manuals** sekmesine ve **Regulatory Information** bölümüne gidin.



Dikkat: 802.11a kablosuz LAN 5150 ila 5350 MHz (5.15 ila 5.35 GHz) yalnızca kapalı alanda kullanılacak şekilde sınırlanmıştır.

802.11a Radyo Modu: Aşağıdaki tablo, ekipmanın kullanım alanlarını ve bilinen tüm kısıtlamaları gösterir (ERC/REC 70-03 E 2011:08, Ek 3 Bent B ve C).

Telsiz modülünün çıkış gücü 173.8 mW EIRP'dir. Bu modülü kullanan ürünler, ticari ve endüstriyel ortamlarda kullanım için tasarlanmıştır. İkamet alanlarında kullanılmamalıdır.

Not: Dinamik Frekans Seçimi ve Verici Gücü Kontrolü 5250 ila 5350 ve 5470 ila 5725 MHz frekans aralığında olmalıdır.

Kullanılmak İstenen AB Ülkesi	CEPT Kısaltması (Avrupa Posta ve Telekomünikasyon Konferansı)	Evet	Hayır	Lisans Gerekli	Kısıtlamalar	Ayrıntılar
Türkiye	TUR	X			X	5470 ila 5725 MHz aralığı uygulanmaz.

Para usuarios en México, Centroamérica y Sudamérica



Precaución: Esta marca indica que el usuario debe leer toda la documentación incluida antes del uso. Retenga este suplemento para referencia futura.

Se advierte a los usuarios de este producto que usen accesorios y periféricos aprobados por Intermec Technologies Corporation. El uso de accesorios aparte de los recomendados, o los cambios a este producto que no sean aprobados por Intermec Technologies Corporation, pueden dejar nulo el cumplimiento de este producto y provocar la pérdida de la autoridad del usuario para operar el equipo.



Precaución: Para aplicaciones en vehículos, observe todas las advertencias y precauciones presentadas en las instrucciones de instalación. Un técnico capacitado debe realizar las instalaciones que involucren las fuentes de alimentación del vehículo por encima de los 60 V para así evitar los daños al equipo.



Precaución: Como reemplazo del paquete de baterías de respaldo, utilice solamente el modelo Torex OVT310R00. Para la fuente de alimentación usar el modelo 9006AE01, 851-070-001, o AE10 de Intermec. No hay piezas a las cuales pueda dar servicio el usuario.

Información de la batería



Precaución: El paquete de batería usado con este producto puede inflamarse, crear un riesgo de quemadura química, explotar o emitir materiales tóxicos si se trata indebidamente. No incinere, desarme ni caliente sobre 100°C. No haga cortocircuitos, puede causar quemaduras. Mantenga alejado de los niños. Descarte rápidamente los paquetes de batería usados conforme a las instrucciones.

Información de reciclaje de las baterías



Este producto contiene o utiliza una batería principal de iones de litio (Li-ion). Cuando la batería llegue al final de su vida útil, la batería usada deberá desecharse por medio de un reciclador o un manejador de materiales peligrosos calificado. No combine esta batería con el flujo de desechos sólidos. Comuníquese con el Centro de Servicio de Intermec Technologies para obtener información sobre el reciclaje o desecho.

Declaración de exposición a la radiación

Información de la exposición a ondas de radio y tasa de absorción específica (SAR)



Advertencia: Este equipo cumple con los límites de exposición a la radiación por radiofrecuencia (RF) establecidos por la Comisión Internacional sobre Protección Frente a Radiaciones No Ionizantes (International Commission on Non-Ionizing Radiation Protection, ICNIRP), IEEE C95.1, Oficina de Ingeniería y Tecnología (OET) de la Comisión Federal de Comunicaciones (FCC), Boletín 65, Canadá RSS-102 y el Comité Europeo de Normalización Electrónica (CENELEC).

El uso no autorizado de antenas y accesorios puede anular el cumplimiento de este producto y puede causar exposiciones a RF que superen los límites establecidos para este equipo.

Cuando instale y use este producto, se debe mantener una distancia de 20 cm (o a una distancia mayor según el cálculo de MPE) entre el cuerpo o la cabeza del usuario o las personas cercanas y la antena. No debe tocarse la antena durante la operación del transmisor.

Déclaration R&TTE

Intermec Technologies Corporation déclare que cet appareil est conforme aux exigences essentielles et autres dispositions pertinentes de la Directive ETRT (1999/5/CE). Pour obtenir une copie de la Déclaration de conformité, prière d'aller sur www.intermec.com > **Products** > **Computers** > **Fixed Vehicle Computers** > **CV61** > **Manuals**, puis défiler jusqu'à **Regulatory Information** (Informations réglementaires).



Attention: Cet appareil de réseau local sans fil 802.11a utilisant la bande de 5150 à 5350 MHz (5,15 à 5,35 GHz) ne peut être utilisé qu'à l'intérieur.

Remarque: Il faut une sélection de fréquence dynamique et un contrôle de puissance émise dans la gamme de fréquences de 5250 à 5350 et de 5470 à 5725 MHz.

Bluetooth et mode radio 802.11b/g: La puissance de sortie de émetteur est de 99 mW PIRE. Le tableau suivant indique les restrictions connues par région d'utilisation (révision de la directive ERC/REC 70-03 E 2011:08, annexe 3, bande B).

Pays d'utilisation prévu	CEPT Abbr.	Oui	Non	License requise	Restrictions	Détails
France	F	X			X	Attention: Utilisation à l'extérieur restreinte à moins de 10 mW PIRE sur la bande 2454 MHz à 2483,5 MHz.

Für Anwender in Deutschland



Vorsicht: Diese Kennzeichnung weist darauf hin, dass der Benutzer vor dem Gebrauch alle mitgelieferten Unterlagen lesen soll. Diese Ergänzung muss zur zukünftigen Bezugnahme aufgehoben werden.

Die Benutzer dieses Produkts werden darauf hingewiesen, nur Zubehörteile und Peripheriegeräte zu verwenden, die von Intermec Technologies Corporation genehmigt sind. Falls nicht empfohlene Zubehörteile verwendet oder an diesem Produkt Änderungen vorgenommen werden, die nicht von Intermec Technologies Corporation genehmigt sind, kann dadurch die behördliche Konformität des Produkts verletzt werden und der Benutzer die Berechtigung zur Verwendung des Geräts verlieren.



Vorsicht: Bei Fahrzeuganwendungen sind sämtliche Warnungen und Vorsichtshinweise der Installationsanleitung zu beachten. Zur Vermeidung von Personen-oder Sachschäden sollten Installationen in Verbindung mit Fahrzeugstromquellen über 60 V von geschultem Servicepersonal durchgeführt werden.



Vorsicht: Als Ersatzakkusatz ausschließlich das Modell 1011AB01 verwenden. Siehe Batterieanweisungen. Als Netzteil Modell 9006AE01, 851-070-001, oder Modell AE10 verwenden. Enthält keine Teile, die vom Benutzer gewartet werden können.

Batterieinformationen



Vorsicht: Der in diesem Produkt verwendete Akkusatz kann sich bei Missbrauch entzünden, chemische Verätzungen verursachen, explodieren oder toxische Substanzen freisetzen. Nicht verbrennen, zerlegen oder über 100 °C erwärmen. Keinen Kurzschluss verursachen; Verbrennungsgefahr. Von Kindern fern halten. Den verbrauchten Akkusatz sofort gemäß Anweisungen entsorgen.

Akku-Recyclinginformationen



Dieses Produkt enthält einen Lithiumionen-Akku. Nachdem Akku das Ende ihres Lebenszyklus erreicht haben, müssen die Altakkus bei einer Recyclingstelle oder als Sondermüll entsorgt werden. Diesen Akku nicht im Hausmüll entsorgen. Recycling- und Entsorgungsinformationen sind vom Intermec Technologies Service Center zu erhalten.

Angabe zur Strahlenbelastung

Informationen über Strahlungsbelastung und spezifische Absorptionsrate (SAR)



Warnung: Diese Geräte entsprechen den vorgegebenen Grenzwerten für Funkfrequenzexposition (HF) von der Internationalen Kommission für den Schutz vor nichtionisierender Strahlung (ICNIRP), in IEEE C95.1, im Federal Communications Commission Office of Engineering and Technology (OET) Bulletin 65, in Kanada RSS-102 und in CENELEC.

Der Gebrauch von nicht zugelassenen Antennen und Zubehörteilen kann die Konformität dieses Produktes aufheben und zu HF-Aussetzung in größerem Ausmaß führen, als für dieses Gerät zulässig ist.

Beim Befestigen und Gebrauch dieses Produkts, muss zwischen dem Körper bzw. Kopf des Benutzers oder nahestehender Personen und der Antenne ein Abstand von 20 cm (oder je nach MPE-Berechnung mehr) eingehalten werden. Die Antenne darf während des Betriebs des Senders nicht berührt werden.

