

FCC/IC identifier labels for WLAN module cB-OWSPA311g-01 (figure 1)

The FCC/IC identifier marking is situated on the secondary side of the module. The marking is printed on the solder mask.

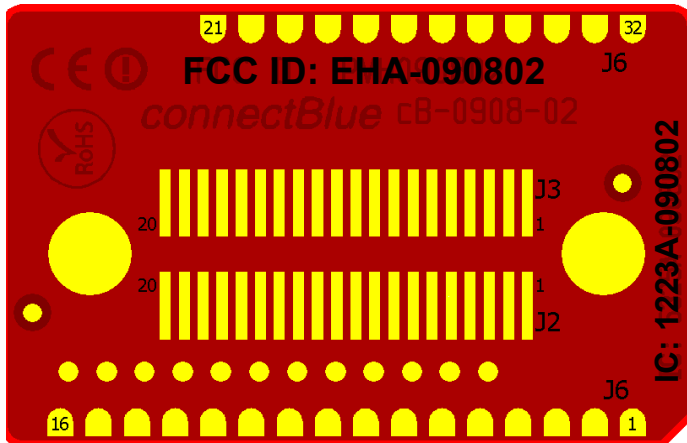


Figure 1 : cB-OWSPA311gi-06 regulatory information

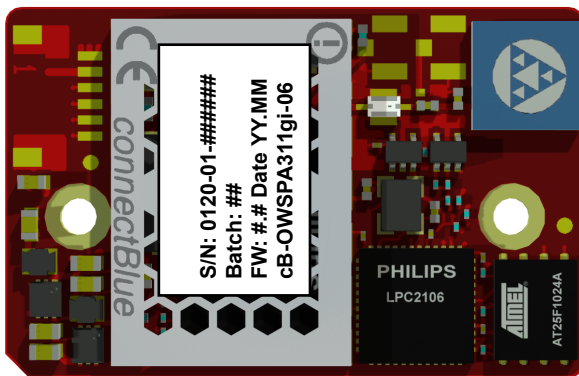


Figure 2 : cB-OWSPA311gi-06 Serial label