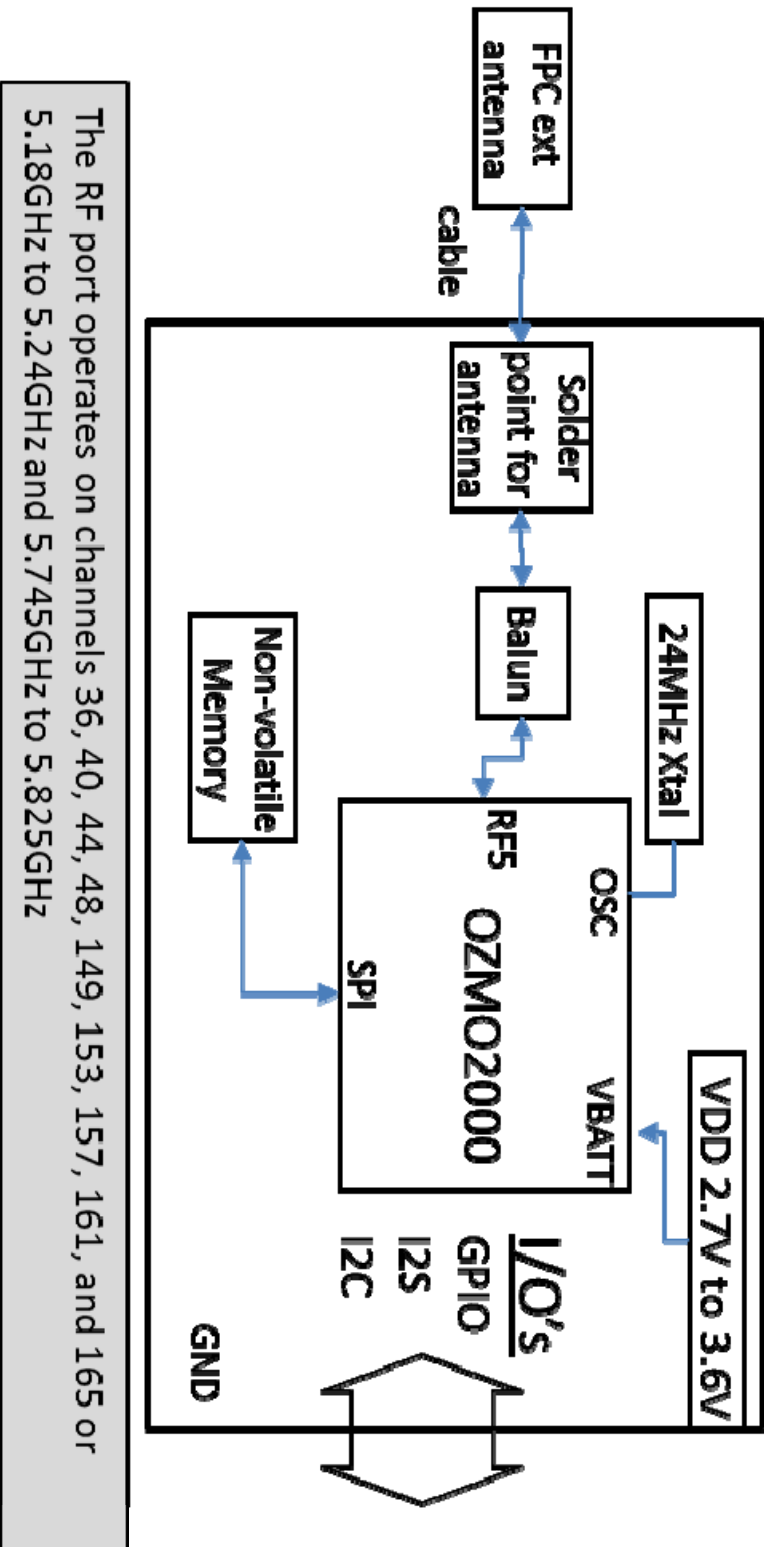


RD014-1v3 Block Diagram

Model: WMM014B1
Ordering part number: OZMO2000WMM014-BMH-1321
Ozmo internal design number: RD014 1v3



The RF port operates on channels 36, 40, 44, 48, 149, 153, 157, 161, and 165 or 5.18GHz to 5.24GHz and 5.745GHz to 5.825GHz