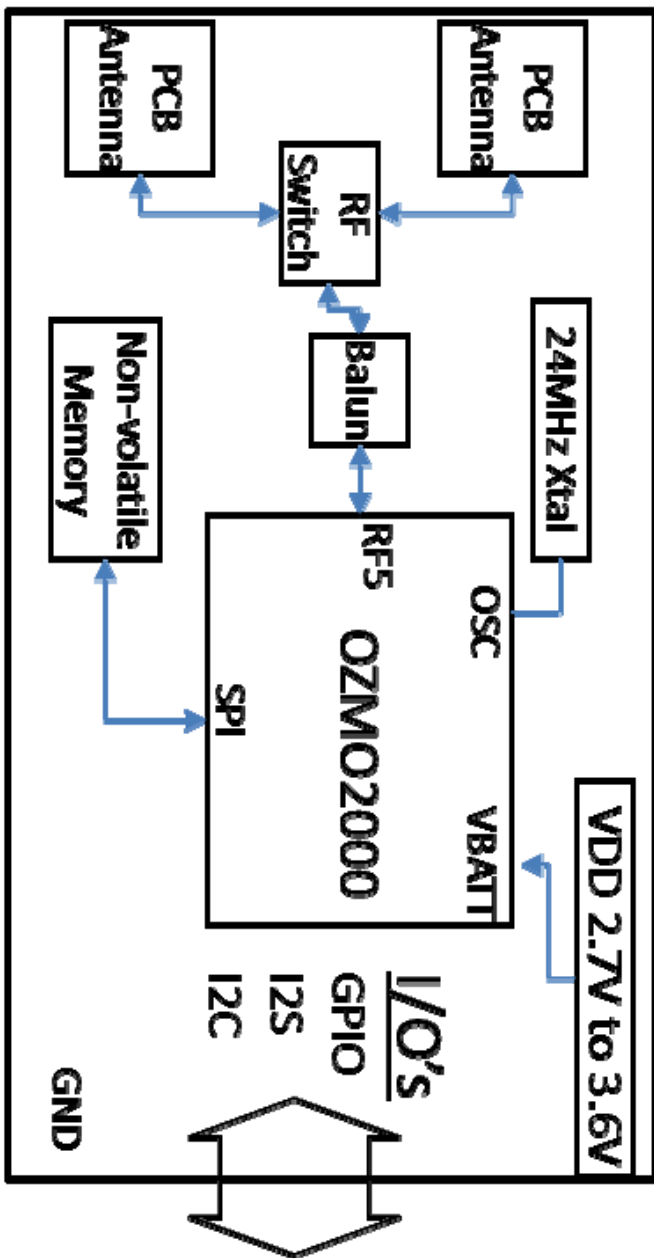


WM014-A2 Block Diagram

Ozmo Model number: WM014A2 / WM014A1
Ordering part number: OZMO2000WM014-APH-2321, or OZMO2000WM014-APH-1321
Ozmo internal design number: RD014 1v4/1v6



The RF5 port operates on channels 36, 40, 44, 48, 149, 153, 157, 161, and 165 or 5.18GHz to 5.24GHz and 5.745GHz to 5.825GHz