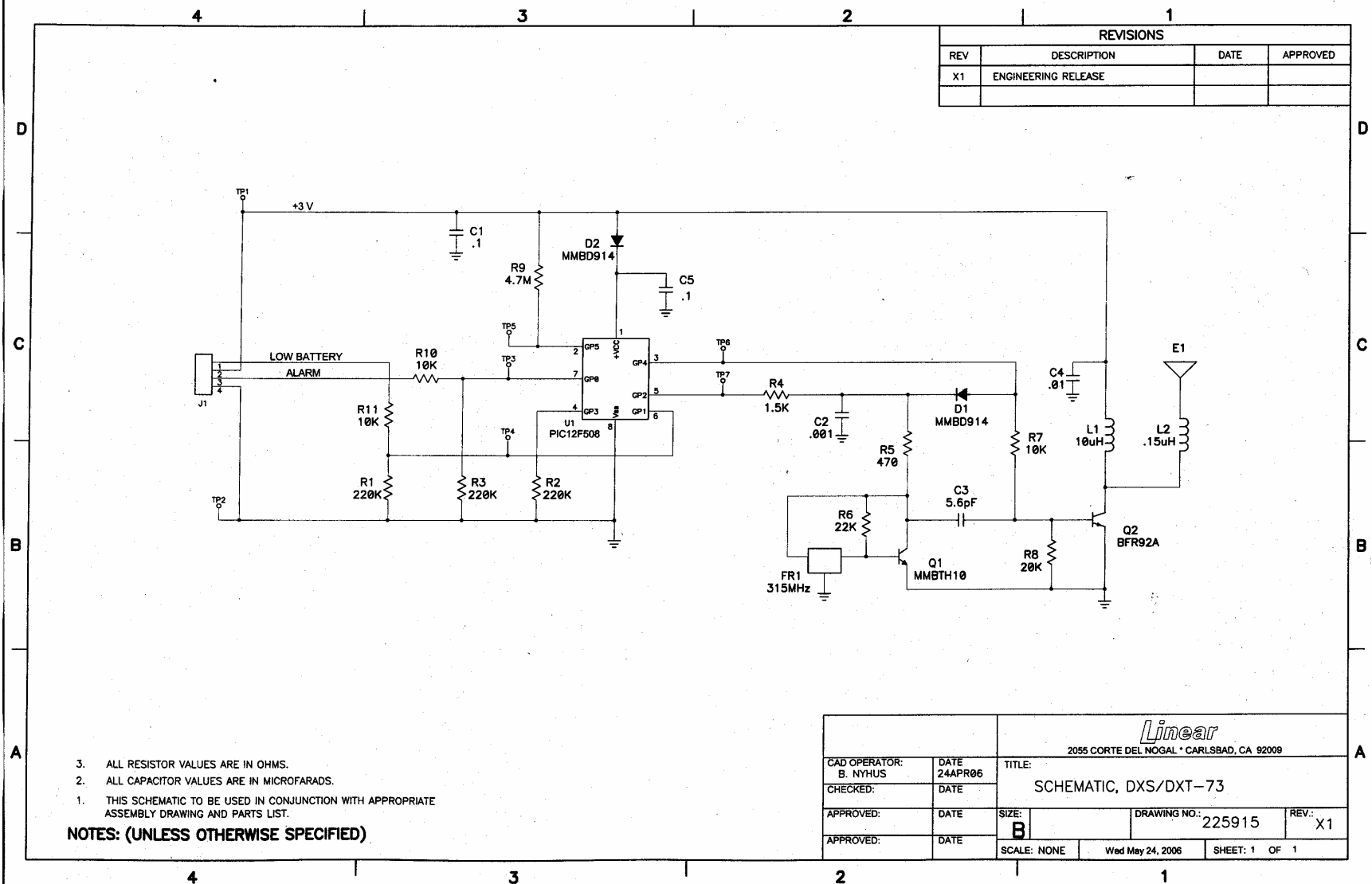


SECTION 4



REVISIONS			
REV	DESCRIPTION	DATE	APPROVED
X1	ENGINEERING RELEASE		

3. ALL RESISTOR VALUES ARE IN OHMS.
 2. ALL CAPACITOR VALUES ARE IN MICROFARADS.
 1. THIS SCHEMATIC TO BE USED IN CONJUNCTION WITH APPROPRIATE ASSEMBLY DRAWING AND PARTS LIST.
- NOTES: (UNLESS OTHERWISE SPECIFIED)**

CAD OPERATOR: B. NYHUS		DATE 24APR06		TITLE: SCHEMATIC, DXS/DXT-73	
CHECKED:		DATE:		DRAWING NO.: 225915	
APPROVED:		DATE:		SIZE: B	REV.: X1
APPROVED:		DATE:		SCALE: NONE	WED May 24, 2006
				SHEET: 1 OF 1	