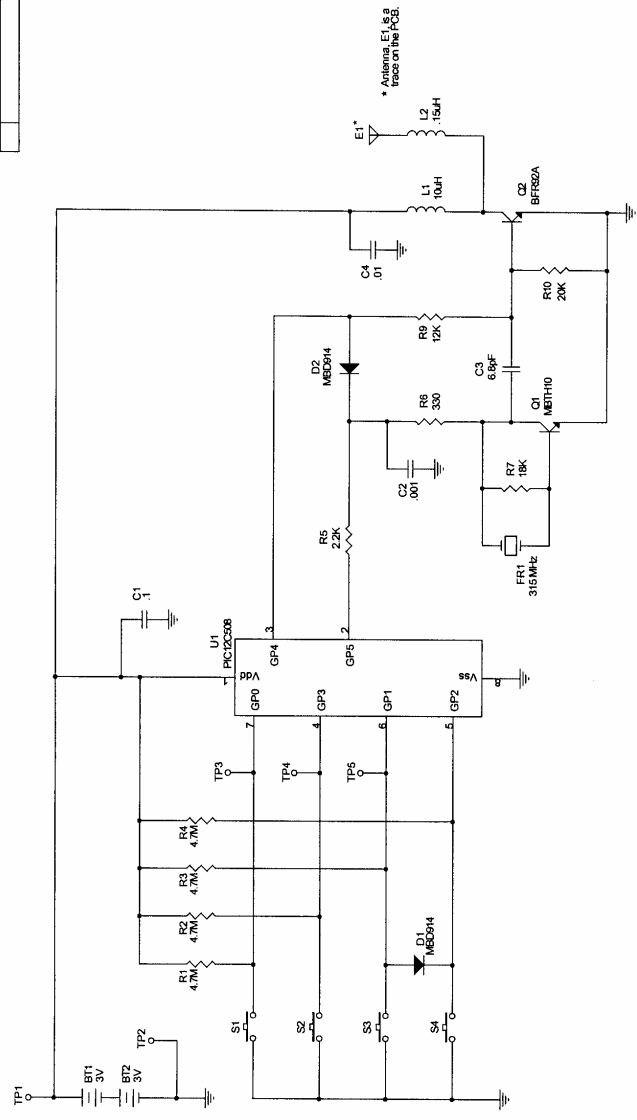


REVISIONS			
REV	DESCRIPTION	APPD	DATE
X1	PRODUCTION RELEASE RECORD		



3. ALL RESISTOR VALUES ARE IN OHMS.
 2. ALL CAPACITOR VALUES ARE IN MICROFARADS.
 1. THIS SCHEMATIC TO BE USED IN CONJUNCTION WITH APPROPRIATE ASSEMBLY DRAWING AND PARTS LIST.
- NOTES: UNLESS OTHERWISE SPECIFIED.

APPROVALS			
DRAWN	DESIGNED	DATE	REV
DAN CHANG	28JUN04		
ENGINEER			
CHECKED			

LINEAR CORPORATION			
FILE	DOCUMENT NUMBER	DATE	REV
SCHEMATIC, DXT-604, 4 BTN TX	222312	11/07/04	X1
SIZE			
B			
PAGE			