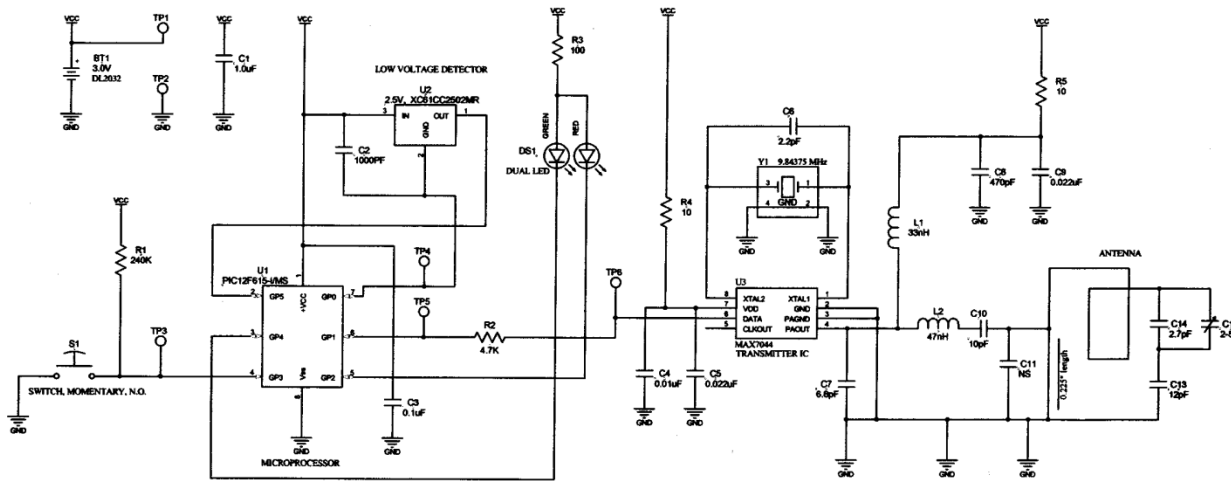


FCC ID:EF4LRP

REVISIONS			
REV	DESCRIPTION	DATE	APPROVED
X8	ENGINEERING PRE-RELEASE 6/14/2010 TT		



- THIS SCHEMATIC TO BE USED IN CONJUNCTION WITH APPROPRIATE ASSEMBLY DRAWING AND PARTS LIST.
  - ALL CAPACITOR VALUES ARE IN MICROFARADS.
  - ALL RESISTOR VALUES ARE IN OHMS.
- NOTES: (UNLESS OTHERWISE SPECIFIED)

**IN-CIRCUIT PROGRAMMING NOTES.**

TP1 = VCC, 3.0VDC, INPUT VOLTAGE  
 TP2 = GND, CIRCUIT GROUND  
 TP3 = VPP, PROGRAMMING VOLTAGE  
 TP4 = ICSPCLK, PROGRAMMING CLOCK  
 TP5 = ICSPDAT, PROGRAMMING DATA  
 TP6 = GND, TO PREVENT TRANSMITTER OPERATION DURING PROGRAMMING

		<b>Linear</b> CARLSBAD, CA	
CAD OPERATOR TOM TRASK	DATE 7/1/10	TITLE SCHEMATIC, P40-LRX	
CHECKED	DATE	SIZE B	DRAWING NO. 230988
APPROVED	DATE	REV. X8	
APPROVED	DATE	SCALE: NONE	SHEET: 1 OF 1