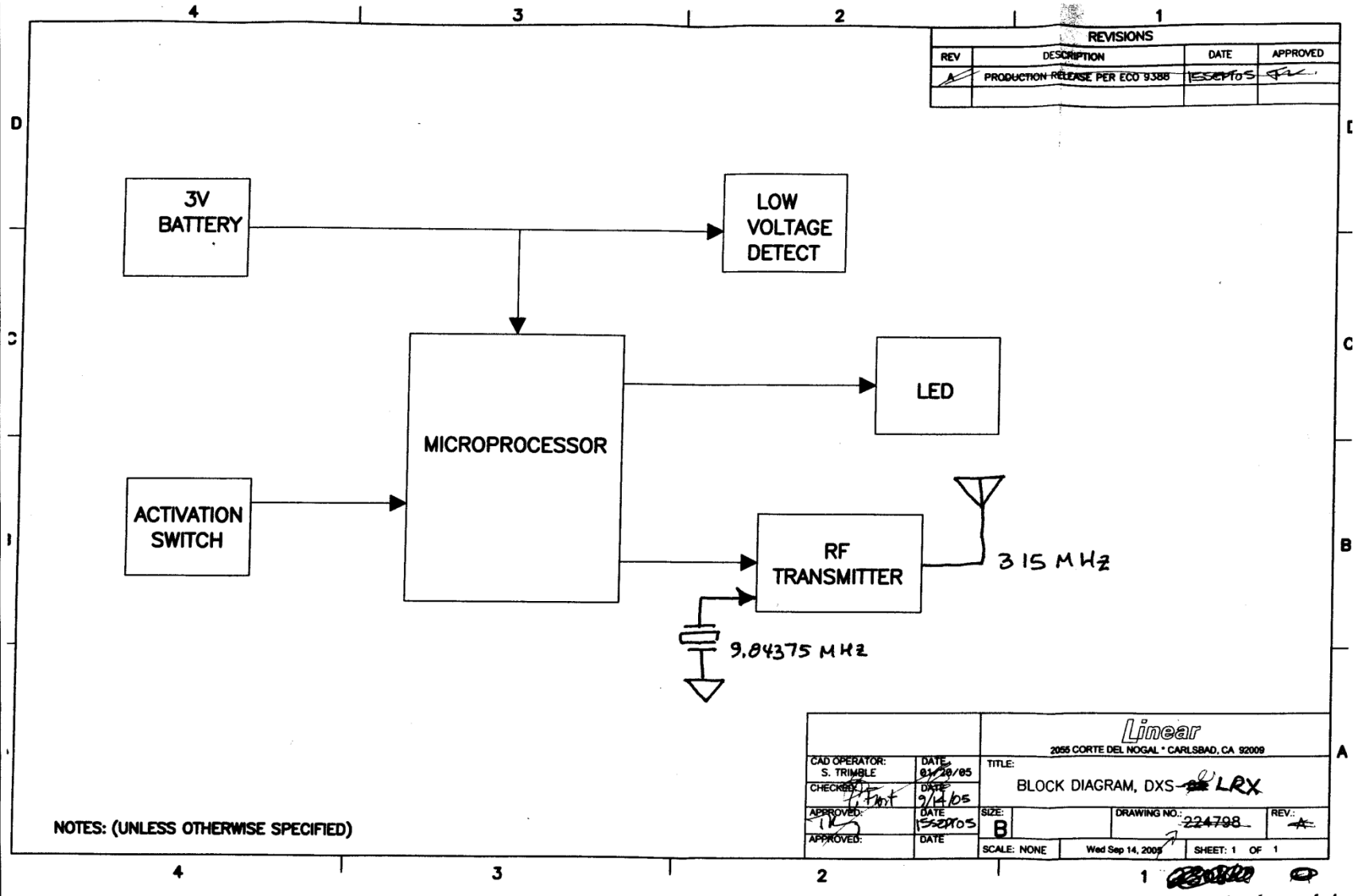


FCC ID:EF4LRP



| REVISIONS | | | |
|-----------|---------------------------------|----------|-------------|
| REV | DESCRIPTION | DATE | APPROVED |
| A | PRODUCTION RELEASE PER ECO 9388 | ESSEPTOS | [Signature] |

NOTES: (UNLESS OTHERWISE SPECIFIED)

| | | | | |
|-----------------------------|--|-------------------|---|------------------------|
| CAD OPERATOR: S. TRIMBLE | | DATE: 01/29/05 | 2055 CORTE DEL NOGAL • CARLSBAD, CA 92009 | |
| CHECKED: [Signature] | | DATE: 9/14/05 | TITLE: BLOCK DIAGRAM, DXS LRX LRX | |
| APPROVED: [Signature] | | DATE: ESSEPTOS | SIZE: B | DRAWING NO.: 224798 |
| APPROVED: | | DATE: | SCALE: NONE | REV.: A |
| | | | Wed Sep 14, 2005 | SHEET: 1 OF 1 |