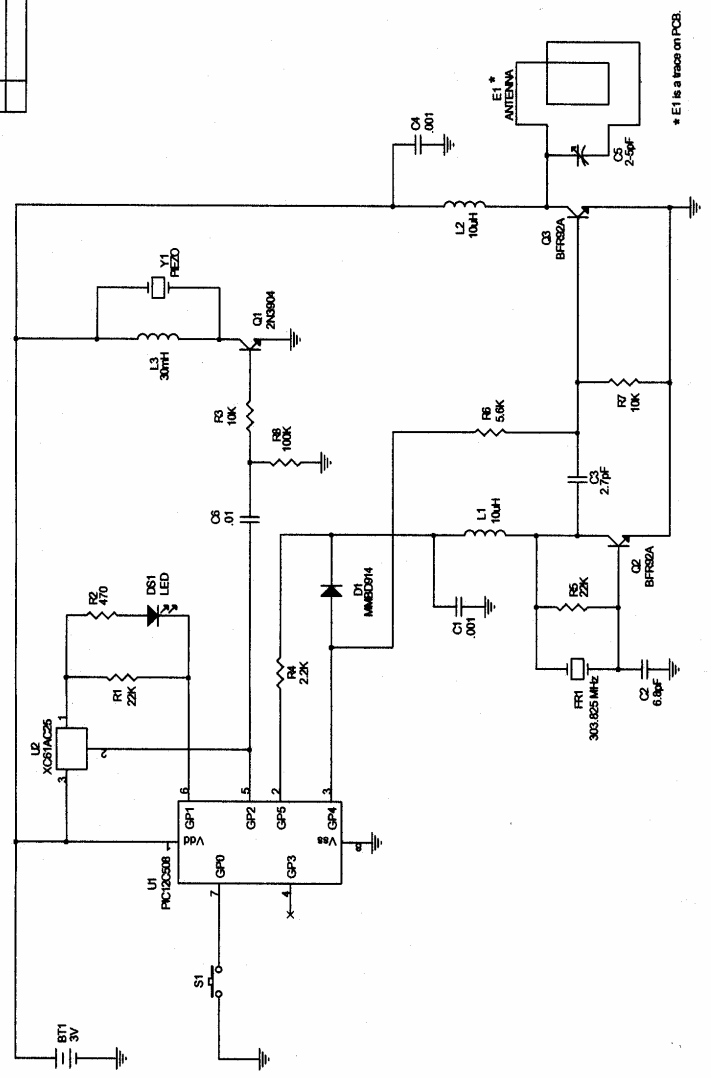


| | | | |
|------|-------------------------|------|------|
| REV# | DESCRIPTION | APPD | DATE |
| A1 | INITIAL RELEASE PERIOD# | | |
| | PRODUCTION RELEASE EOD# | | |



- 3. ALL RESISTOR VALUES ARE IN OHMS.
 - 2. ALL CAPACITOR VALUES ARE IN MICROFARADS.
 - 1. THIS SCHEMATIC TO BE USED IN CONNECTION WITH APPROPRIATE ASSEMBLY DRAWING AND PARTS LIST.
- NOTES, UNLESS OTHERWISE SPECIFIED.

* E1 is a trace on PCB.

| | | | |
|-----------|----------|-----------|--|
| APPROVALS | | 16 NOV 03 | |
| DRAWN | D. CHANG | | |
| ENGINEER | | | |
| CHECKED | | | |

| | |
|--------------------|-----------------------|
| LINEAR CORPORATION | |
| Title | SCHEMATIC, MX-62 |
| Documnt Number | 222276 |
| Size | Sheet 1 of 1 |
| Date | 1996 November 24 2003 |