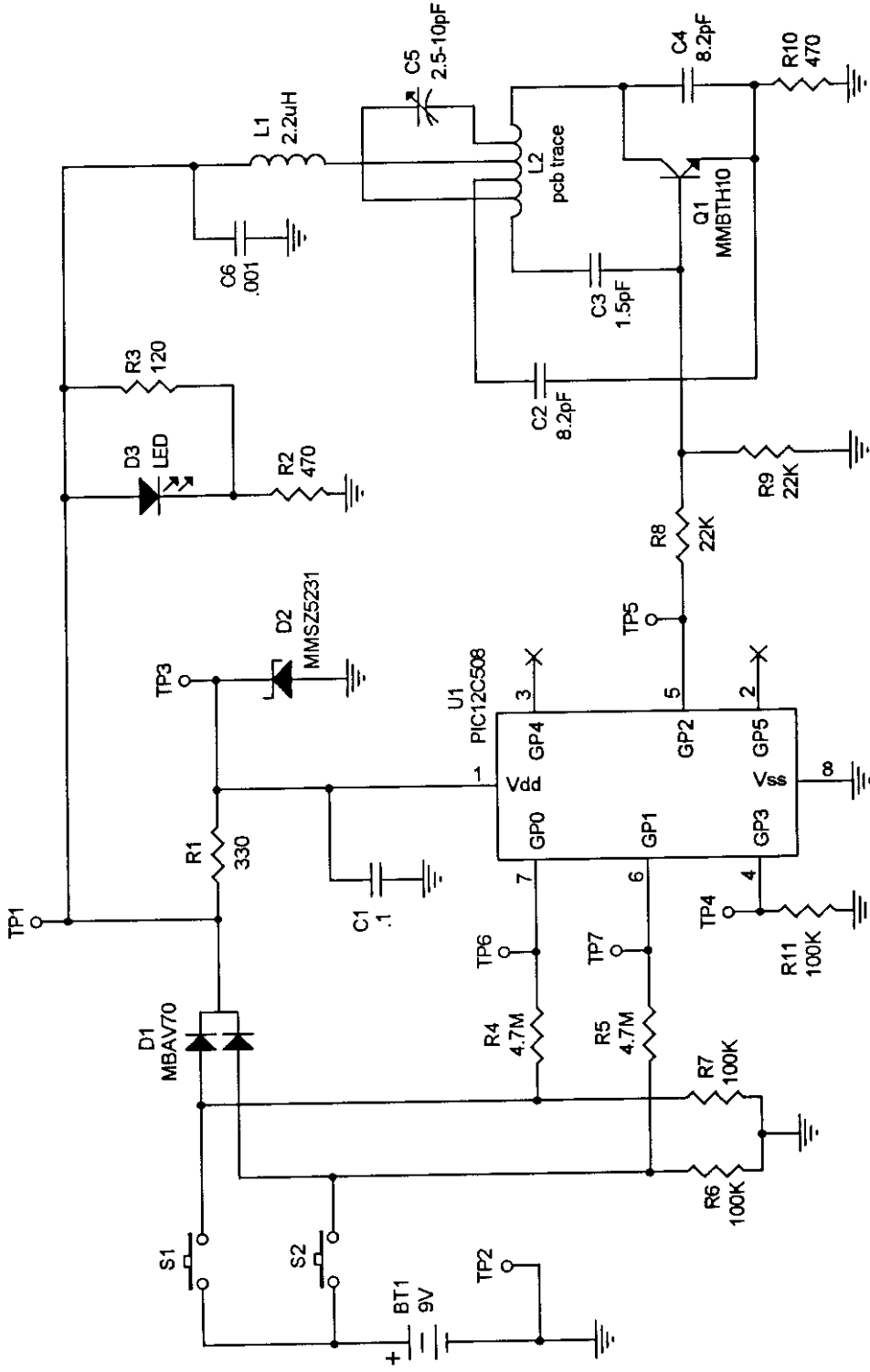


| REVISIONS | | DESCRIPTION | APPD | DATE |
|-----------|---|------------------------------|------|------|
| REV | X | PRODUCTION RELEASE PER ECO # | | |



| APPROVALS | | Title | |
|-----------|----------|-----------------|--------------------------|
| DRAWN | B. NYHUS | 8JUL98 | |
| ENGINEER | | Size | A |
| CHECKED | | Document Number | 214358 |
| | | Date: | Wednesday, July 22, 1998 |

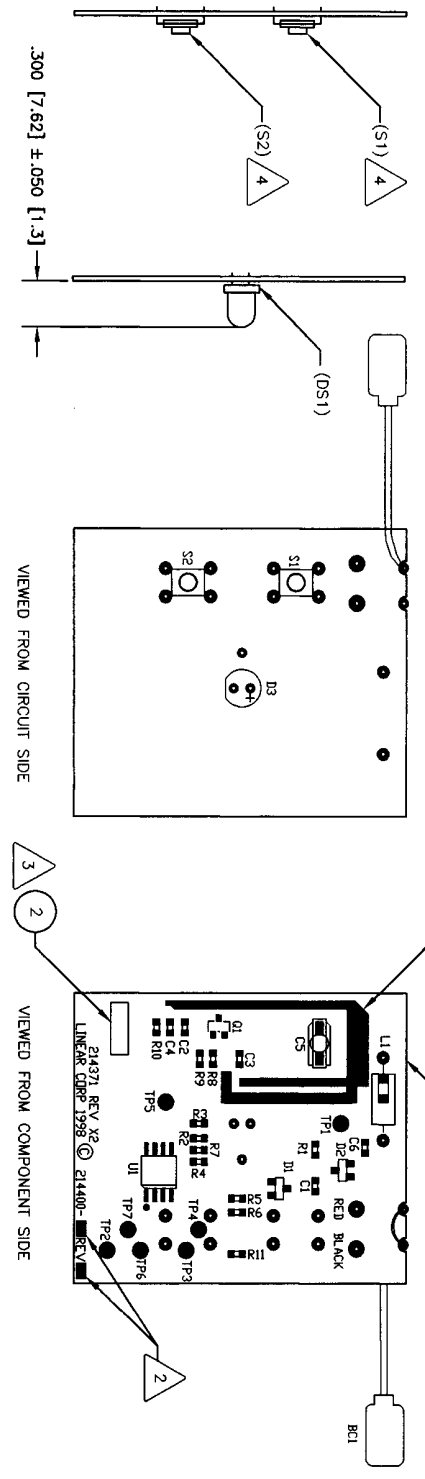
| | |
|-------|--------|
| Rev | X1 |
| Sheet | 1 of 1 |

LINEAR CORPORATION
SCHEM, MCT-2

4 3 2 1

NOTES: (UNLESS OTHERWISE SPECIFIED)

1. THIS DRAWING IS COMPUTER GENERATED. DATABASE MUST BE UPDATED WHEN REVISED.
2. MARK ASSEMBLY DASH NUMBER AND REVISION LETTER USING .12 [.3:2] HIGH CHARACTERS, PERMANENT INK, CONTRASTING COLOR, APPROXIMATELY WHERE SHOWN.
3. PLACE DATE CODE LABEL (ITEM 2) APPROXIMATELY WHERE SHOWN.
4. CLIP LEADS OF S1 AND S2 FLUSH WITH PCB, COMPONENT SIDE.
5. L2 IS A TRACE ON THE PRINTED CIRCUIT BOARD.



SEE SEPERATE PARTS LIST

BILL OF MATERIALS

| ITEM NO. | QTY. | PART OR IDENTIFYING NO. | DESCRIPTION |
|----------|------|-------------------------|-------------|
| | | | |
| | | | |
| | | | |
| | | | |
| | | | |
| | | | |

UNLESS OTHERWISE NOTED ALL DIMENSIONS ARE IN INCHES [MM]

| | |
|-----------|-----------|
| PROJECT: | MCT-2 |
| DATE: | 8/18/97 |
| OPERATOR: | K. WARREN |
| CHECKED: | |
| APPROVED: | |
| DATE: | |
| APPROVED: | |
| DATE: | |
| APPROVED: | |
| DATE: | |

Linear
A NORTEK COMPANY
2065 CORTE DEL NORAL • CARLSBAD, CA 92009

TITLE:
ASSEMBLY, PCB, MCT-2:

SIZE: F304 NO. 214400 DRAWING NO. 214400

SCALE: 2/1 FILE NAME: 214400A.DWG SHEET: 1 OF 1

DO NOT SCALE DRAWING

REVISIONS

| ZONE | REV | DESCRIPTION | DATE | APPROVED |
|------|-----|-------------|------|----------|
| | X3 | | | |
| | | | | |
| | | | | |
| | | | | |
| | | | | |
| | | | | |

4 3 2 1