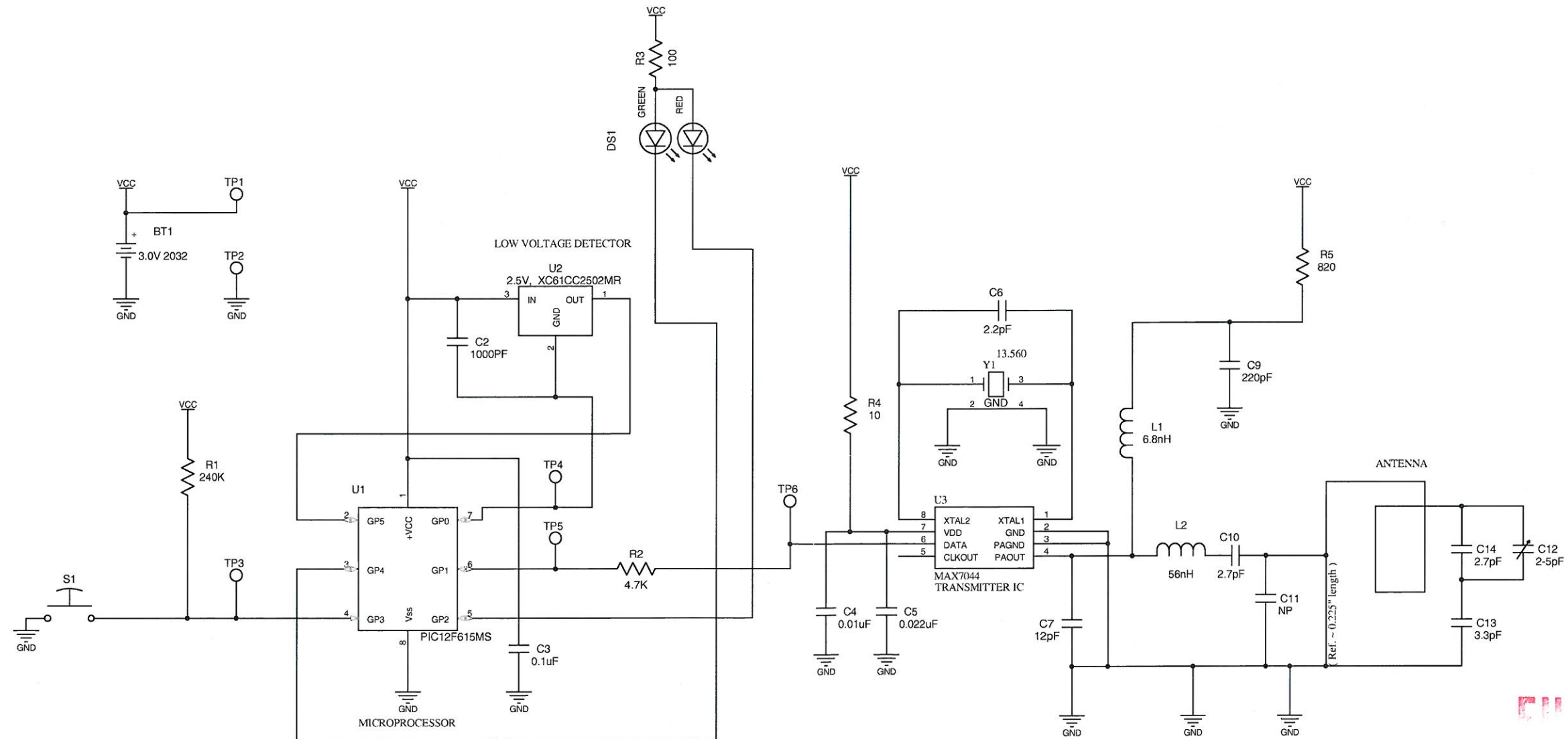


REVISIONS			
REV	DESCRIPTION	DATE	APPROVED
A	PROD REL PER ECO 11976 AF	10/11/13	<i>[Signature]</i>



- 4. NP = COMPONENT NOT PLACED ON PCB .
- 3. ALL RESISTOR VALUES ARE IN OHMS.
- 2. ALL CAPACITOR VALUES ARE IN MICROFARADS.
- 1. THIS SCHEMATIC TO BE USED IN CONJUNCTION WITH APPROPRIATE ASSEMBLY DRAWING AND PARTS LIST.

NOTES: (UNLESS OTHERWISE SPECIFIED)

**IN-CIRCUIT PROGRAMMING NOTES.**

TP1 = VCC, 3.0VDC, INPUT VOLTAGE  
 TP2 = GND, CIRCUIT GROUND  
 TP3 = VPP, PROGRAMMING VOLTAGE  
 TP4 = ICSPCLK, PROGRAMMING CLOCK  
 TP5 = ICSPDAT, PROGRAMMING DATA  
 TP6 = GND, TO PREVENT TRANSMITTER OPERATION DURING PROGRAMMING

		<b>Linear</b> CARLSBAD, CA	
CAD OPERATOR: D. Sanderson	DATE 06/05/2013	TITLE: SCHEMATIC, CX-LRC	
CHECKED: <i>[Signature]</i>	DATE 10/11/13	SIZE: B	DRAWING NO.: 234993
APPROVED: <i>[Signature]</i>	DATE 10/11/13	SCALE: NONE	REV.: A
		SHEET: 1 OF 1	

FILE COPY