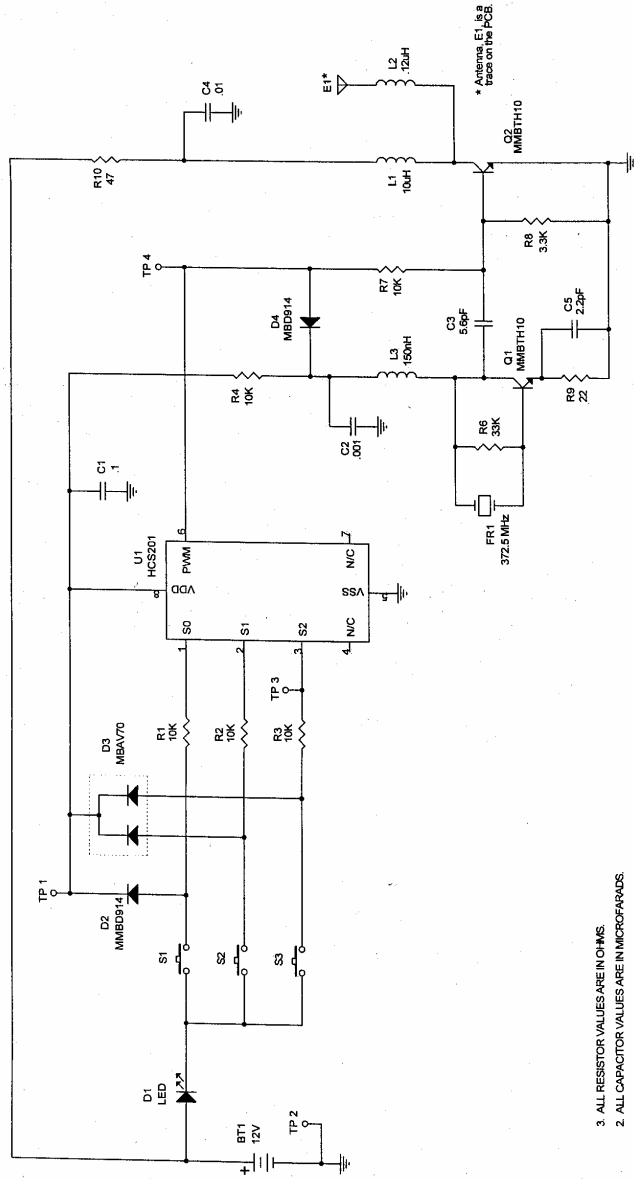


REV	DESCRIPTION	APPD	DATE
X	PRODUCTION RELEASE PER ECO #		



3. ALL RESISTOR VALUES ARE IN OHMS.
  2. ALL CAPACITOR VALUES ARE IN MICROFARADS.
  1. THIS SCHEMATIC TO BE USED IN CONJUNCTION WITH APPROPRIATE ASSEMBLY DRAWING AND PARTS LIST.
- NOTES: UNLESS OTHERWISE SPECIFIED.

APPROVALS		DATE
DRAWN	B. NYHUS	13 OCT 74
ENGINEER		
CHECKED		
Title		Sheet
B		1 of 1
Document Number		224227
Part		REV. 0000018 2552

LINEAR CORPORATION

SCHEMATIC, WT-31

224227

X