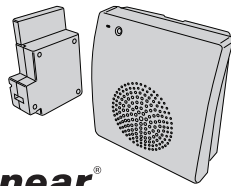


# RSM-WALL

# RSM-BASE

## Module Installation

### Instructions



**Linear**  
Building On Innovation.

USA & Canada (800) 421-1587 & (800) 392-0123  
(760) 438-7000 - Toll Free FAX (800) 468-1340  
www.linearcorp.com

### PRODUCT DESCRIPTION

The Remote Speaker Microphone modules, (RSM-BASE and RSM-WALL), extend the voice communication range of the PERS-4200 Console. Both of these units are **equipment options** designed to enhance the effectiveness of the PERS-4200 system in an emergency situation.

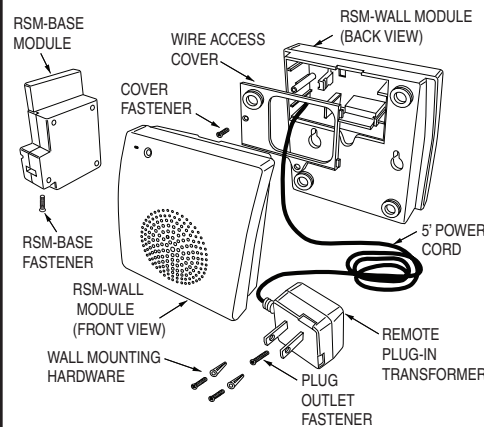
The function of these modules establish a two-way voice link between a user and a responding central station. They allow a detailed verbal communication to the responder. The user can discuss the exact nature of the emergency so that appropriate assistance can be dispatched.

The RSM-BASE module is plugged into the PERS-4200 Console. It installs into the PERS via a Linear Expansion Module Interface (LEMI) connector. Power command/control and two-way voice signals are passed through this connector. The RSM-BASE (AAE00454) and RSM-WALL (AAE00452) modules communicate wirelessly.

RSM-WALL modules can be placed in key activity locations in the users home. One RSM-BASE module can support a maximum of four RSM-WALL modules.

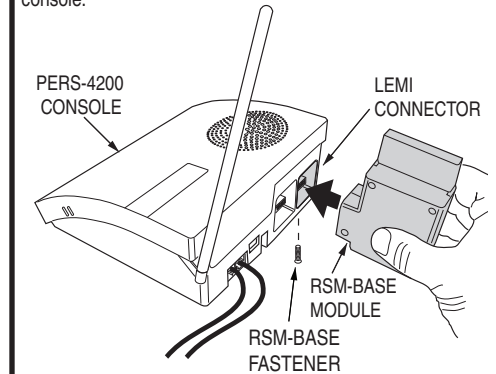
The RSM-WALL modules are either plugged into a standard electrical outlet or can be wall/ tabletop mounted using a wall transformer with a 5' retractable power cord. The RSM-WALL module(s) must be paired with the PERS-4200/ RSM-BASE module. Pairing instructions are included and must be performed before use.

### PRODUCT DESCRIPTION



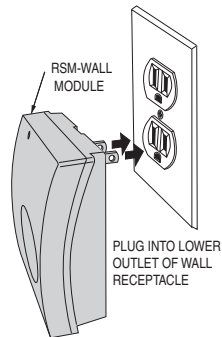
### RSM-BASE /PERS 4200 INSTALL

Plug RSM-BASE module into **Linear Expansion Module Interface (LEMI) connector** on the back of the PERS-4200 console.



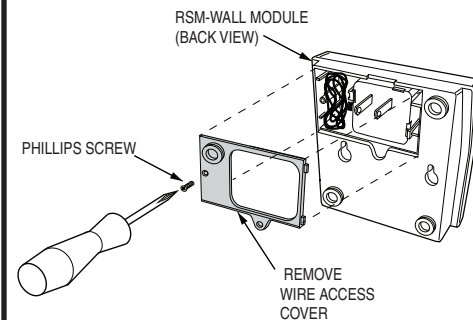
### BASIC WALL MODULE INSTALL

Plug the RSM-WALL module into the lower outlet of a standard wall receptacle. The RSM-WALL module and the RSM-BASE module are now set up for receiving voice communication through the PERS-4200 Console. The units are ready for pairing.



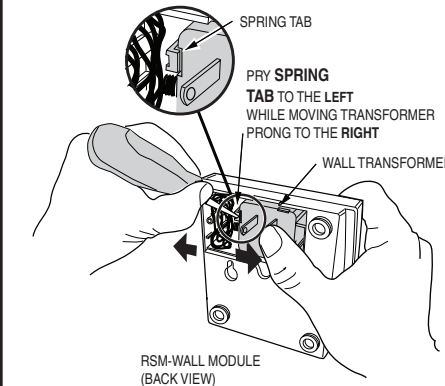
### WALL TRANSFORMER ACCESS

The RSM-WALL module has a remote transformer that can be removed from the back of the unit to allow for unit to be wall mounted or used on a tabletop. Remove the screw fastener holding the wire access cover.



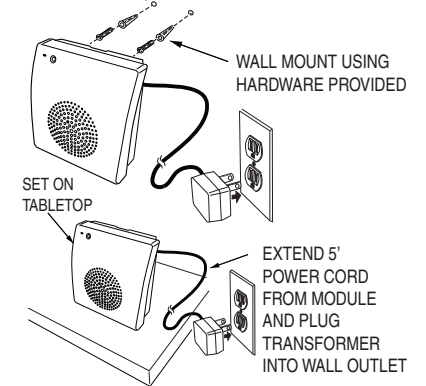
### WALL TRANSFORMER RELEASE

Using a screwdriver, pry spring tab while rocking the transformer block in the opposite direction. This will allow the transformer to be released from the RSM-WALL module.



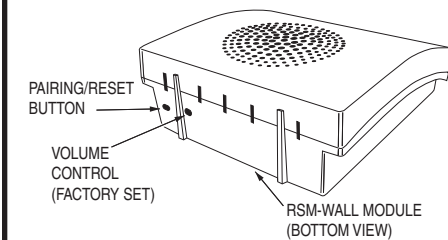
### WALL MODULE LOCATIONS

Unravel wall transformer power cord. Mount RSM-WALL module to a wall using hardware (provided), or, place RSM-WALL module on a tabletop surface near a wall outlet.



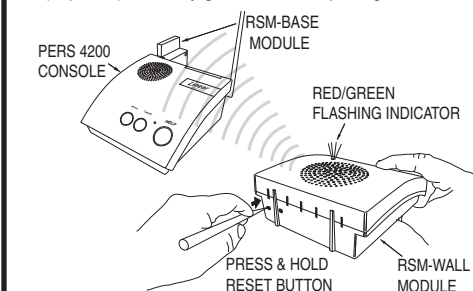
### PAIRING RESET/VOLUME CONTROLS

The volume and pairing reset controls are located on the bottom of the RSM-WALL module. The RSM-WALL module volume is factory set but may be adjusted if necessary.



### PAIRING WALL MODULE TO BASE MODULE

To pair the RSM-WALL module, be sure that PERS 4200 Console is powered up and that the RSM-BASE module is plugged into the back of console. With a small pen, press and hold the reset button in for 5 seconds on both modules. The indicator on the RSM-BASE module will change from steady red (unpaired) to steady green when the pairing is successful.



### UN-PAIRING WALL MODULE/BASE MODULE

If it is necessary to **UN-PAIR** the RSM-WALL module from the RSM-BASE module (and PERS\_4200 console), do the following:

On the RSM-WALL module, press and hold reset button for 10 seconds. The indicator flashes alternating between red and green to signify unlearn mode and will return to a steady RED, completing the un-pair process.

If the RSM-WALL module cannot be un-paired using the above method, ALL RSM-WALL modules can be un-paired at the RSM-BASE by pressing and holding the reset button for 30 seconds. During the first 10 seconds the LED will flash red and green. After 30 seconds the indicator will turn **RED** to indicate all RSM-WALL modules have been removed from memory.

**NOTE:** You will have to re-pair those RSM-WALL modules that are not removed.

An alternative to the above method - Don't remove, just overwrite. The maximum is four. First one unlearned is the first one overwritten.

### LINEAR LIMITED WARRANTY

This Linear product is warranted against defects in material and workmanship for twelve (12) months. The Warranty Expiration Date is labeled on the product. This warranty extends only to wholesale customers who buy direct from Linear or through Linear's normal distribution channels. Linear does not warrant this product to consumers. Consumers should inquire from their selling dealer as to the nature of the dealer's warranty, if any. There are no obligations or liabilities on the part of Linear Corporation for consequential damages arising out of or in connection with use or performance of this product or other indirect damages with respect to loss of property, revenue, or profit, or cost of removal, installation, or reinstallation. All implied warranties, including implied warranties for merchantability and implied warranties for fitness, are valid only until Warranty Expiration Date as labeled on the product. This Linear Corporation Warranty is in lieu of all other warranties express or implied. All products returned for warranty service require a Return Product Authorization Number (RPA#). Contact Linear Technical Service at 1-800-421-1587 for an RPA# and other important details.

#### IMPORTANT !!!

Linear radio controls provide a reliable communications link and fill an important need in portable wireless signaling. However, there are some limitations which must be observed.

- For U.S. installations only: The radios are required to comply with FCC Rules and Regulations as Part 15 devices. As such, they have limited transmitter power and therefore limited range.
- A receiver cannot respond to more than one transmitted signal at a time and may be blocked by radio signals that occur on or near their operating frequencies, regardless of code settings.
- Changes or modifications to the device may void FCC compliance.
- Infrequently used radio links should be tested regularly to protect against undetected interference or fault.
- A general knowledge of radio and its vagaries should be gained prior to acting as a wholesale distributor or dealer, and these facts should be communicated to the ultimate users.