



4-BUTTON KEYFOB REMOTE

Installation Instructions

The 2GIG® 4-Button Keyfob Remote (2GIG-KEY2-345) communicates with the 2GIG Control Panel on the 345 MHz frequency. It gives users the ability to turn the security system ON and OFF before entering the home or after exiting. If there is an emergency, you can turn on the siren and automatically call the central monitoring station. Keyfobs can be programmed to operate the programmable output in the Control Panel. Use with the *2GIG Universal Garage Door Receiver*.

The keyfob remote is used with the (2GIG-GDR1-345) to open a garage door. The keyfob is a lithium coin battery-powered, wireless keyfob designed to fit on a key chain, in a pocket, or in a purse. It provides a convenient option for the following system operations:

The four buttons provides a convenient option for the following system operations:

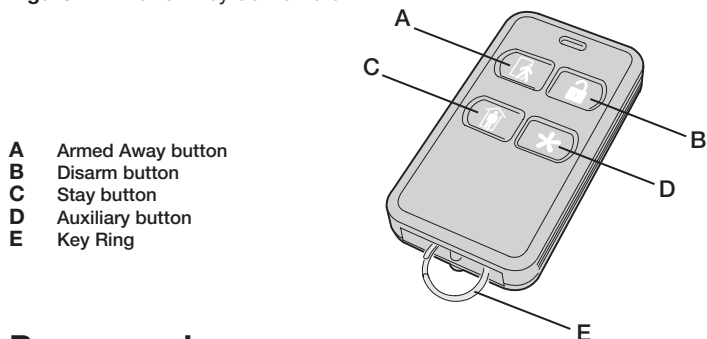
- Arm the system (doors, windows, and motion sensors)
- Arm the system with no entry delay (if programmed)
- Disarm the system
- Trigger panic alarms
- Turn system-controlled lights on or off (via the open collector output)
- Other open collector output functions (if applicable)
- Use with the 2GIG-GDR1-345 to open a garage door. See the *2GIG-GDR1-345 Installation Instructions*.

Contents

Verify that the package includes the following:

- (1) 4-Button Keyfob Remote
- (1) Key Ring
- (1) Lithium Coin Battery (included)

Figure 1 4-Button Keyfob Remote



Programming

Use the following guidelines to add keyfobs to the system. For detailed instructions, refer to “*Wireless (RF) Keyfob Programming*” in the Control Panel’s *Installation & Programming Guide*:

- Program (learn) the keyfobs into the control panel as non-supervised sensors.
 - Each learned keyfob uses one of the available sensor numbers.
- For more details, refer to the *2GIG-GDR1-345 Installation Instructions*. Use the following guidelines to add keyfobs to the 2GIG-GDR1-345:
- Press and release the learn button.
 - The learn indicator will light if there’s room in memory
 - Activate the * (Auxiliary) button on the transmitter while the indicator is lit (within 15 seconds)
 - Receiver indicator flashes
 - Repeat steps for additional transmitters (up to 10)

NOTE: It is important that the proper equipment code be entered during the learning process. For the 2GIG-KEY2-345 the equipment code is 0866.

Testing

Refer to the Control Panel’s *Installation & Programming Guide* to learn how to initiate panel test mode.

Test the keyfob by pressing each one of the keyfob buttons:

- **Disarm Button.** Hold for two (2) seconds to disarm the Control Panel. Doors, windows, and motion sensors are disarmed.
- **Away Button.** Hold for two (2) seconds to arm the Control Panel in Away mode. Doors, windows, and motion sensors are armed.
- **Stay Button.** Hold for two (2) seconds to arm the Control Panel in Stay mode. Doors and windows are armed.
- **Auxiliary Button.** If programmed, can trigger a preselected output. See the Control Panel’s *Installation & Programming Guide* for details.
- **Away & Disarm Buttons.** If programmed, pressing BOTH the Away and Disarm buttons at the same time for five (5) seconds, will send one of four types of emergency signals: (1) silent panic; (2) audible alarm; (3) auxiliary alarm; or (4) fire.

NOTE: It is recommended that a system test be performed per the Control Panel’s *Installation & Programming Guide* at least once a year.

Inserting and Replacing the Battery

The key fob arrives ready to use (batteries already installed).

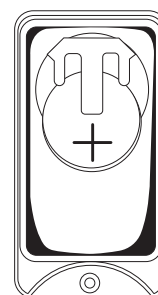
To replace the battery:

- 1 Remove the screw from the back of the keyfob.
- 2 Separate the keyfob’s faceplate from its backplate.
- 3 Slide the existing battery out from under the metal battery clip on the printed circuit board.

IMPORTANT: Always dispose and/or recycle used batteries in accordance with the hazardous waste recovery and recycling regulations for your location. Your city, state, or country may also require you to comply with additional handling, recycling, and disposal requirements.

- 4 Insert the replacement battery into the metal battery clip on the printed circuit board. The plus (+) sign on the battery should be facing up and the minus (-) side facing down as illustrated below.

Figure 1 4-Button Keyfob Remote—Battery Compartment



- 5 Replace the printed circuit board into the faceplate of the keyfob.
- 6 Replace the key ring in the space provided bottom of the fob. Then snap the keyfob faceplate and backplate closed.
- 7 Secure the screw into the back of the keyfob.

WARNING: Failure to follow these warnings and instructions can lead to heat generation, rupture, leakage, explosion, fire, or other injury, or damage. Do not insert the battery into the compartment in the wrong direction. Always replace the battery with the same or equivalent type (see *Specifications*). Never recharge or disassemble the battery. Never place the battery in fire or water. Always keep batteries away from small children. If batteries are swallowed, promptly see a doctor.

California Only: This perchlorate warning applies only to Manganese Dioxide Lithium cells sold or distributed ONLY in California, USA. Perchlorate Material-special handling may apply. See www.dtsc.ca.gov/hazardouswaste/perchlorate

Specifications

Wireless Signal Range	350 ft (106.7 m), open air, with Wireless Control Panel
Code Outputs	Arm; Disarm; Panic; Relay Control
Transmitter Frequency	345.00 MHz (crystal controlled)
Unique ID Codes	Over one (1) million different code combinations
Dimensions (L x W x H)	1.23 x 2.26 x 0.45 in. (3.12 x 5.74 x 1.14 cm) typical
Weight (including battery)	0.65 oz. (18.4 g)
Housing Material	ABS Plastic
Color	Black
Operating Temperature	32°-120° F (0°-49° C)
Relative Humidity	5-90% Non-Condensing
Battery (installed)	One (1) CR 2025 3V or equivalent Lithium coin battery
Certification	ETL, FCC and IC
Equipment Code	0866

Regulatory Information

FCC Notice

This device complies with Part 15 of the FCC's Rules. Operation is subject to the following two conditions:

- 1 This device may not cause harmful interference, and
- 2 The device must accept any interference received, including interference that may cause undesired operation.

This equipment has been tested and found to comply with the limits for a Class B digital device, pursuant to Part 15 of the FCC Rules. These limits are designed to provide reasonable protection against harmful interference in a residential installation.

This equipment generates, uses and can radiate radio frequency energy and, if not installed and used in accordance with the instructions, may cause harmful interference to radio communications. However, there is no guarantee that interference will not occur in a particular installation. If this equipment does cause harmful interference to radio or television reception, which can be determined by turning the equipment off and on, the user is encouraged to try to correct the interference by one or more of the following measures:

- Reorient or relocate the receiving antenna.
- Increase the separation between the equipment and receiver.
- Connect the equipment into an outlet on a circuit different from that to which the receiver is connected.
- Consult the dealer or an experienced radio/TV technician for help.

The device has been evaluated to meet general RF exposure requirement. The device can be used in portable exposure condition without restriction.

NOTE: Any changed or modifications not expressly approved by the party responsible for compliance could void the user's authority to operate this equipment.

Industry Canada (IC) Compliance

The device has been evaluated to meet general RF exposure requirement. The device can be used in portable exposure condition without restriction.

Repairs to certified equipment should be made by an authorized Canadian maintenance facility designated by the supplier. Any repairs or alterations made by the user to this equipment, or equipment malfunctions, may give the telecommunications company cause to request the user to disconnect the equipment.

Users should ensure for their own protection that the electrical ground connections of the power utility, telephone lines and internal metallic water pipe system, if present, are connected together. This precaution may be particularly important in rural areas.

Users should not attempt to make such connections themselves, but should contact the appropriate electric inspection authority, or electrician, as appropriate.

This device contains licence-exempt transmitter(s) / receiver(s) that comply with Innovation, Science and Economic Development Canada's licence-exempt RSS(s). Operation is subject to the following two conditions:

1. This device may not cause interference.
2. This device must accept any interference, including interference that may cause undesired operation of the device.

L'émetteur/récepteur exempt de licence contenu dans le présent appareil est conforme aux CNR d'Innovation, Sciences et Développement économique Canada applicables aux appareils radio exempts de licence. L'exploitation est autorisée aux deux conditions suivantes:

1. L'appareil ne doit pas produire de brouillage;
2. L'appareil doit accepter tout brouillage radioélectrique subi, même si le brouillage est susceptible d'en compromettre le fonctionnement.

WARNING: Changes or modifications not expressly approved by the manufacturer could void the user's authority to operate the equipment.

Limited Warranty

This Nice North America product is warranted against defects in material and workmanship for two (2) years. This warranty extends only to wholesale customers who buy direct from Nice North America LLC or through Nice North America LLC's normal distribution channels. Nice North America LLC does not warrant this product to consumers. Consumers should inquire from their selling dealer as to the nature of the dealer's warranty, if any.

There are no obligations or liabilities on the part of Nice North America LLC for consequential damages arising out of or in connection with use or performance of this product or other indirect damages with respect to loss of property, revenue, or profit, or cost of removal, installation, or reinstallation. All implied warranties for functionality, are valid only until the warranty expires. This Nice North America LLC Warranty is in lieu of all other warranties expressed or implied.



5919 Sea Otter Place, Suite 100
Carlsbad, CA 92010 USA

For technical support in the USA and Canada:

855-2GIG-TECH (855-244-4832)

Email: 2GIG.Linear@niceforyou.com

Visit Niceforyou.com for technical support hours of operation.

For technical support outside of the USA and Canada:

Contact your regional distributor.

Visit www.2gig.com/dealers for a list of distributors in your region.



©2023 Nice North America LLC. 2GIG is a registered trademark of Nice North America LLC. All rights reserved.

10004962 Rev-C