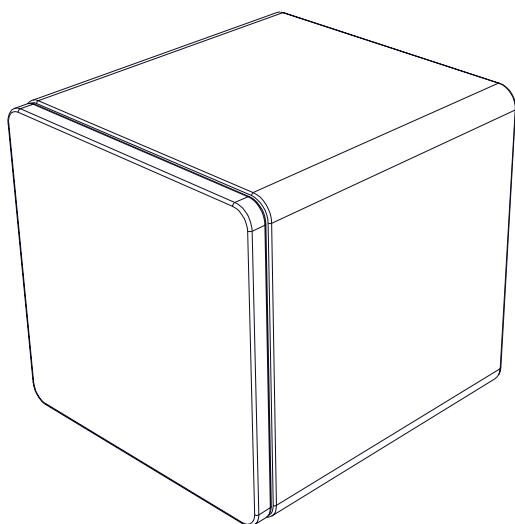
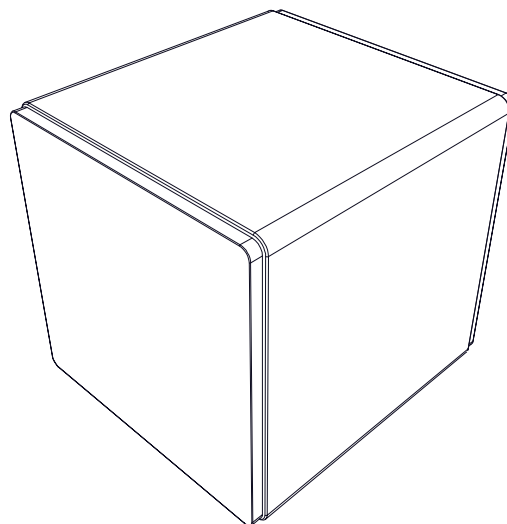


Subwoofer Speaker

Model: FRS-8 / FRS-10 / FRS-12 / FTEQ-12



FRS



FTEQ

INSTALLATION GUIDE

Consignes de sécurité importantes

1. Lisez ces instructions.
2. Conservez ces instructions.
3. Observez tous les avertissements.
4. Suivez toutes les instructions.
5. N'utilisez pas cet appareil à proximité de l'eau.
6. Utilisez uniquement un chiffon sec pour le nettoyer.
7. Ne bloquez pas les ouvertures de ventilation.
Installez conformément aux instructions du fabricant.
8. Ne l'installez pas à proximité de sources de chaleur tels que des radiateurs, des bouches de chaleur, des poêles ou d'autres appareils (amplificateurs compris) produisant de la chaleur.
9. Ne pas contourner le dispositif de sécurité de la fiche polarisée. Une fiche polarisée possède deux lames dont une plus large que l'autre. La grande lame est fournie pour votre sécurité. Si la fiche fournie ne rentre pas dans votre prise, consultez un électricien pour le remplacement de la prise obsolète.
10. Protégez le cordon d'alimentation, surtout au niveau des fiches, des prises et des points où il sort de l'appareil, pour éviter qu'on ne marche dessus ou qu'on ne le pince.
11. Utilisez uniquement les accessoires spécifiés par le fabricant.
12. Utilisez uniquement avec le chariot, le socle, le trépied, la table ou le support spécifié par le fabricant ou vendu avec l'appareil. En le fabricant ou vendu avec l'appareil. Cas d'utilisation d'un chariot, faites attention lorsque vous déplacez l'ensemble chariot / appareil de ne pas le renverser.
13. Débranchez cet appareil lors d'orage avec foudre ou lorsque vous ne l'utilisez pas pendant des périodes prolongées.
14. Faites-le réparer et entretenir par un personnel de service qualifié. Il est nécessaire de faire réparer l'appareil lorsqu'il a subi des dommages quelconques du type suivant : cordon ou fiche d'alimentation abîmé, liquid renversé ou objets tombés dans l'appareil, exposition de l'appareil à la pluie ou à l'humidité, mauvais fonctionnement ou chute.
15. Aucune source de flamme nue, telle que des bougies allumées, ne doit être placée sur l'appareil.
16. AVERTISSEMENT: pour réduire les risques d'incendie ou d'électrocution, n'exposez pas cet appareil à la pluie ou à l'humidité. L'appareil ne doit pas être exposé à des gouttes ou des éclaboussures et des objets remplis de liquide, tels que des vases, ne doivent pas être placés sur l'appareil.
17. AVERTISSEMENT: la fiche secteur / le coupleur d'appareil est utilisé comme dispositif de déconnexion, le dispositif de déconnexion doit rester facilement accessible.
18. AVERTISSEMENT: Un appareil de construction de classe I (un cordon d'alimentation secteur à trois fils) doit être connecté à une prise de courant avec une mise à la terre.
19. Élimination correcte de ce produit. Ce marquage indique que ce produit ne doit pas être éliminé avec d'autres déchets ménagers dans toute l'UE. Afin de prévenir d'éventuels dommages à l'environnement ou à la santé humaine dus à une élimination incontrôlée des déchets, recyclez-les de manière responsable pour promouvoir la réutilisation durable des ressources matérielles. Pour retourner votre appareil usagé, veuillez utiliser les systèmes de retour et de collecte ou contactez le revendeur où le produit a été acheté. Ils peuvent emporter ce produit pour un recyclage respectueux de l'environnement.
20. L'équipement doit être utilisé à une température ambiante maximale de 40 degrés Celsius.
21. Le produit doit être utilisé sur un banc ouvert.

TABLE OF CONTENTS

Important Safety Information3

FCC Notice3

Unpacking4

Care4

Amplifier Panel Features4

Subwoofer Placement7

Connecting your Subwoofer (LFE)8

Connecting your Subwoofer (Stereo)9

Configuring your Subwoofer10

Subwoofer Discovery10

Volume10

Crossover10

Phase11

Delay12

Manual EQ12

Using Auto EQ13

Settings13

Specifications14

FRS-814

FRS-1014

FRS-1214

FTEQ-1214

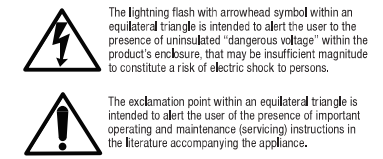
Limited 2-Year Warranty15

2-Year Warranty15

Attention: To Our Valued Customers16

IMPORTANT SAFETY INFORMATION

1. Read these instructions
2. Keep these instructions
3. Heed all warnings
4. Follow all instructions
5. Do not use this apparatus near water
6. Clean only with dry cloth.
7. Do not block any ventilation openings. Install in accordance with the manufacturer's instructions.
8. Do not install near any heat sources such as radiators, heat registers, stoves, or other apparatus (including amplifiers) that produce heat.
9. Do not defeat the safety purpose of the polarized or grounding plug. A polarized plug has two blades with one wider than the other. A grounding plug has two blades and a third grounding prong. The wide blade or the third prong is provided for your safety. If the provided plug does not fit into your outlet, consult an electrician for replacement of the obsolete outlet.
10. Protect the power cord from being walked on or pinched particularly at the plugs, convenience receptacles, and at the point where they exit from the apparatus.
11. Only use attachments/accessories specified by the manufacturer.
12. Use only with the cart, stand, tripod, bracket, or table specified by the manufacturer, or sold with the apparatus. When a cart or rack is used, use caution when moving the cart/apparatus combination to avoid injury from tip-over.
13. Unplug this apparatus during lightning storms or when unused for long periods of time.
14. Refer all servicing to qualified personnel. Servicing is required when the apparatus has been damaged in any way, such as power supply cord or plug is damaged, liquid has been spilled or objects have fallen into the apparatus, the apparatus has been exposed to rain or moisture, does not operate normally, or has been dropped.
15. No naked flame sources, such as lighted candles, should be placed on the apparatus
16. **WARNING:** To reduce the risk of fire or electric shock, do not expose this apparatus to rain or moisture. The apparatus shall not be exposed to dripping or splashing and objects filled with liquids, such as vases, shall not be placed on apparatus.
17. **WARNING:** The mains plug/appliance coupler is used as disconnect device, the disconnect device shall remain readily operable.
18. **WARNING:** An apparatus with Class I construction (a three wire AC Mains cord) shall be connected to a mains socket outlet with a protective earthing connection.
19. Correct disposal of this product. This marking indicates that this product should not be disposed with other household wastes throughout the EU. To prevent possible harm to the environment or human health from uncontrolled waste disposal, recycle it responsibly to promote the sustainable reuse of material resources. To return your used device, please use the return and collection systems or contact the retailer where the product was purchased. They can take this product for environmentally safe recycling.
 20. The equipment shall be used at maximum 40 degree C ambient temperature.
 21. The product shall be used on open bench.



FCC Notice

This device complies with part 15 of the FCC Rules. Operation is subject to the following two conditions: (1) This device may not cause harmful interference, and (2) this device must accept any interference received, including interference that may cause undesired operation.

Any Changes or modifications not expressly approved by the party responsible for compliance could void the user's authority to operate the equipment.

Note: This equipment has been tested and found to comply with the limits for a Class B digital device, pursuant to part 15 of the FCC Rules. These limits are designed to provide reasonable protection against harmful interference in a residential installation. This equipment generates uses and can radiate radio frequency energy and, if not installed and used in accordance with the instructions, may cause harmful interference to radio communications. However, there is no guarantee that interference will not occur in a particular installation. If this equipment does cause harmful interference to radio or television reception, which can be determined by turning the equipment off and on, the user is encouraged to try to correct the interference by one or more of the following measures:

- Reorient or relocate the receiving antenna.
- Increase the separation between the equipment and receiver.
- Connect the equipment into an outlet on a circuit different from that to which the receiver is connected.
- Consult the dealer or an experienced radio/TV technician for help. This equipment complies with FCC radiation exposure limits set forth for an uncontrolled environment. This equipment should be installed and operated with minimum distance 20cm between the radiator & your body.

IC WARNING

This radio transmitter has been approved by Industry Canada.

This Class B digital apparatus complies with Canadian standard ICES-003. This device complies with Industry Canada License exempt RSS standard(s). Operation is subject to the following two conditions.

This device may not cause interference and (2) this device must accept any interference that may cause undesired operation of the device. This equipment complies with ISED radiation exposure limits set forth for an uncontrolled environment. This equipment should be installed and operated with minimum distance 20cm between the radiator & your body.

Industrie Canada (IC)

Le présent appareil est conforme aux CNR d'Industrie Canada applicables aux appareils radio exempts de licence. L'exploitation est autorisée aux deux conditions suivantes: (1) l'appareil ne doit pas produire de brouillage, et (2) l'utilisateur de l'appareil doit accepter tout brouillage radioélectrique subi, même si le brouillage est susceptible d'en compromettre le fonctionnement.

AVIS RELATIFS À L'EXPOSITION RF

Cet équipement est conforme aux limites d'exposition au rayonnement ISED établies pour un environnement non contrôlé. Cet équipement doit être installé et utilisé à une distance minimale de 20 cm entre le radiateur et votre corps.

UNPACKING

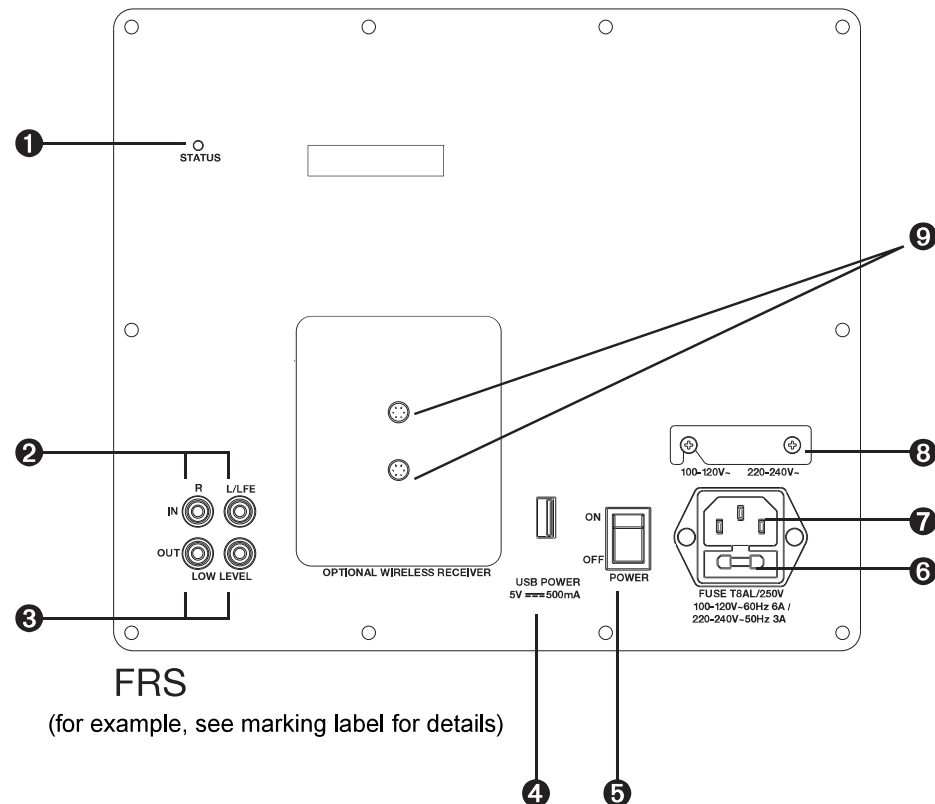
Your subwoofer should reach you in perfect condition. If you notice any shipping damage, please contact your Dealer immediately.

Gently lift the unit out, and remove all the packing material. It's important to save all the packing materials and the box in case your subwoofer ever needs to be moved or returned.

CARE

To maintain the speaker cabinet's finish, first unplug the power cord and then use a soft cloth to clean the surfaces. If your subwoofer needs servicing, please read the **Warranty** section, [page 14](#). If a problem persists, contact your nearest authorized Dealer.

AMPLIFIER PANEL FEATURES



- Power Indicator.** This light is illuminated blue when the subwoofer is turned on and playing. It illuminates red when the subwoofer is in on, but in Standby mode.
- Low-Level Inputs.** These connect with RCA type cables from the line-level outputs of your receiver or preamp. Here are two examples: If your processor or receiver has a single subwoofer output, connect it to the subwoofer's LFE input connector (see page 8). If your processor or receiver has stereo line-level output, connect it to the subwoofer's red and white Low Level "IN" connectors.
- Low-Level Outputs.** These connect with RCA type cables to daisy-chain additional subwoofers or powered speakers. These outputs are pass-thru, meaning they will pass through the same audio signal that is fed into the Low-Level inputs to the Low-Level outputs.
- USB Connector.** The USB connector is used to power the optional subwoofer wireless receiver. Do not plug in other USB devices into this port as it may damage the subwoofer or the device. Refer to the wireless receiver installation instructions for more details.
- Power Rocker Switch.** Press the top this rocker switch to turn the subwoofer's master power On. The subwoofer has an automatics signal-detection circuit. After approximately ten minutes with no signal, the subwoofer will go into its quiet standby mode.

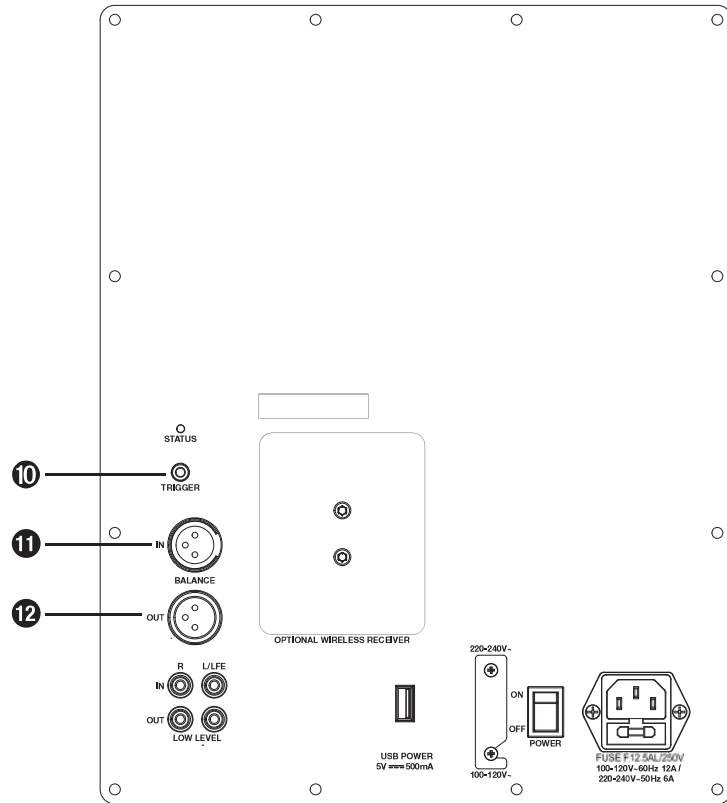
The presence of an audio signal will turn it back on. The signal-detection timeout period can be adjusted in the companion smartphone app. Normally you can leave the switch on, and let the subwoofer turn on when a signal is present, or turn off when it's not. At night (or if you go out, or on vacation), you can press the bottom of the power switch to turn the subwoofer off.

- AC Line Fuse.** The subwoofer is supplied with a conservative slow-blow type fuse to protect the electronics. If this fuse fails, replace it with the exact same type and current rating for your local AC voltage, as marked on the control panel near the fuse holder.
- IEC Power Connector.** The subwoofer comes with a detachable line cord that attaches here. Make sure it is firmly pushed into place. Connect the other end to an AC outlet that is properly configured for the type of plug and has the correct voltage for your model.



NOTE: Always unplug the power cord from your AC outlet before removing the fuse. To replace or inspect the fuse, use a small flathead screwdriver to gently pry out the fuse carrier and fuse.

- Voltage Selection Switch.** This switch is used to select the compatible electrical voltage for the location in which you're installing the subwoofer. Please check with your local electrical requirements before making changes to this setting.
- Mounting Standoffs.** The mounting standoffs are used to mount the optional subwoofer wireless receiver. Refer to the wireless receiver installation instructions for more details.



FTEQ

(for example, see marking label for details)

10. **Trigger (FTEQ-12 Only).** 12V trigger input turns the amplifier On or Off and overrides the automatic signal detection circuit, reducing power consumption when not in use. When this input receives a 12V signal, the subwoofer will turn ON. When the signal goes away, the subwoofer will turn OFF.
11. **Balanced IN (FTEQ-12 only).** Balanced connections allow the use of very long cables while reducing electrical interference. Connect a balanced output cable from your receiver or preamp to the subwoofers Balanced IN.
12. **Balanced OUT (FTEQ-12 only).** These connect with Balanced type cables to daisy-chain additional subwoofers or powered speakers. These outputs are pass-thru, meaning they will pass through the same audio signal that is fed into the Balanced IN.

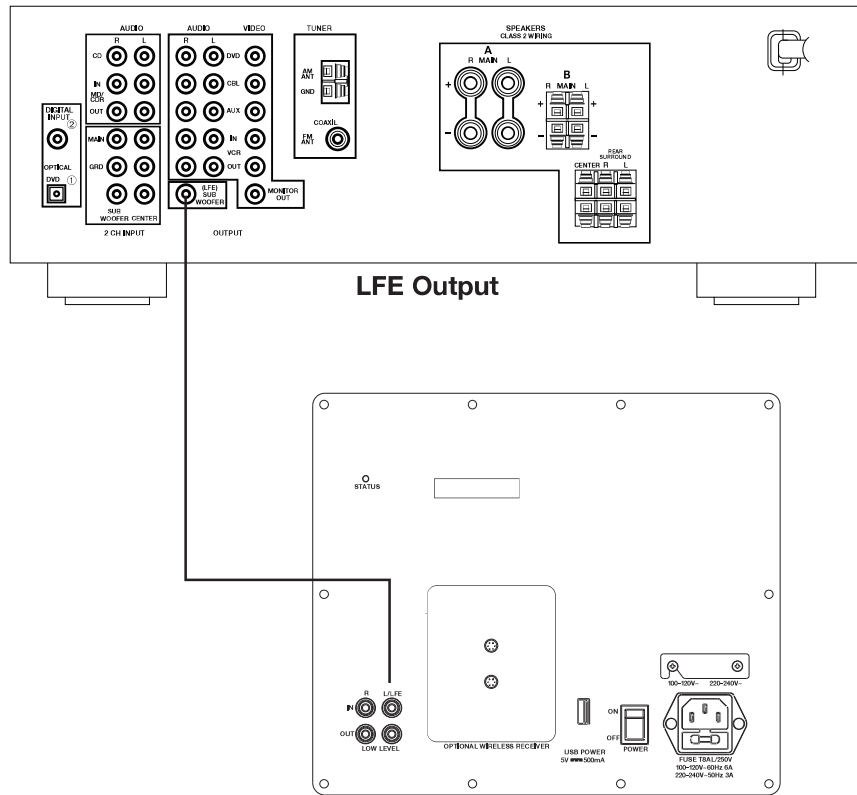
SUBWOOFER PLACEMENT

Subwoofer placement can greatly influence its performance. All rooms are different, but the loudest output will likely occur if the subwoofer is placed in a corner of the room on the same wall as the front channel speakers.

You may need to experiment with more than one location, always testing the sound from the primary listening position until you find the right balance and consistency in the bass performance.

You can also greatly improve subwoofer performance and eliminate many of these placement challenges by using the AUTO EQ function in the companion smartphone app.

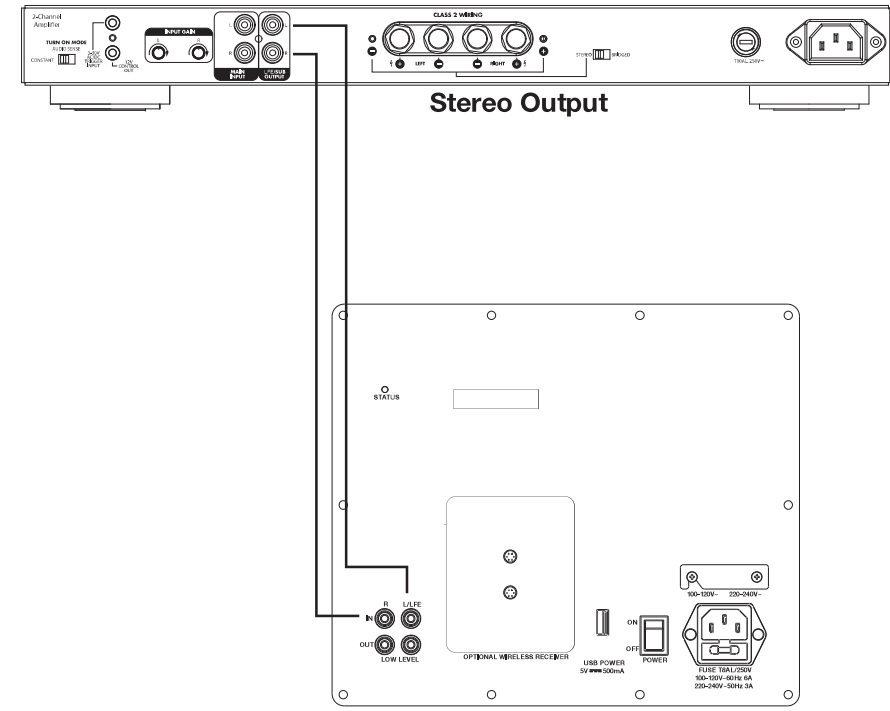
CONNECTING YOUR SUBWOOFER (LFE) (for example)



If your processor or receiver has a subwoofer output (Sub/LFE), it should be connected to the subwoofer's LFE input as shown. This is the simplest and recommended connection.

If you have a Home Theater processor or receiver, it probably has an independent subwoofer volume and crossover control. If so, you should set the subwoofer's volume control to 50, the crossover to LFE, and use the processor's subwoofer level and frequency controls for adjustments.

CONNECTING YOUR SUBWOOFER (STEREO) (for example)



If your processor or receiver does not have a Sub/LFE output, but has a stereo output, you can connect a stereo RCA type cable from the stereo output to the Low Level red and white inputs on the back on the subwoofer.

You can also use the optional subwoofer wireless receiver to send audio from your source to the subwoofer. Refer to the wireless receiver installation instructions for more details.

CONFIGURING YOUR SUBWOOFER

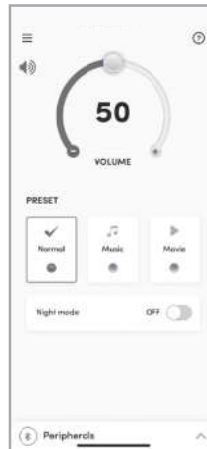
The companion smartphone app allows you to setup and configure your subwoofer from the comfort of your seating position. Download the app from the [Apple App Store](#) or [Google Play Store](#). Adjustments like volume, x-over frequency, phase, etc., as well as the Auto EQ function, can be adjusted within the app.

Subwoofer Discovery

1. Ensure that the power on the subwoofer is on and the status light is red or blue.
2. Launch the smartphone companion app and on the home screen select peripherals.
3. Select “Scan for devices” and hit “Connect” if prompted.
4. Repeat steps 1-3 for additional subwoofers. It is highly recommended to rename each subwoofer so that it can be easily identified by its name when multiple subwoofers are installed.
5. Your subwoofer(s) is now discovered and can be controlled from the companion smartphone app.

Volume

1. Volume. Adjusts the volume output to the desired output level.
2. Preset. Makes EQ adjustments based on the type of material you are playing. Music mode enhances performance while listening to music while Movie mode enhances performance while watching movies.
3. Night Mode. Compresses the subwoofer output when watching a movie or playing music, so you don't disturb others.
4. Peripherals- Turn on Bluetooth. Toggles Bluetooth on and off. Bluetooth must be turned on to configure the subwoofer with the smartphone companion app.
5. Peripherals- Device name- Displays the current subwoofer name. Can also be used to set a new subwoofer name.
6. Peripherals- Scan for devices. Scans for other subwoofers.



Crossover

1. Crossover. Selects the low pass filter frequency and is adjustable from 42Hz to 500Hz.
2. Variable/LFE toggle. Toggles between using the app to select the low pass filter frequency and the AV Receiver selecting the low pass filter frequency.
3. Slope. Adjusts the slope of the crossover frequency. The higher the value, the steeper the cutoff.



Phase

1. Phase. Adjusts the signal delay of the incoming audio signal and is used to better blend the audio from the subwoofer to other speakers in the installation.
2. Variable/AVR Toggle. Toggles between using the app to select the phase frequency and the AV Receiver selecting the phase frequency.



Delay

1. **Delay.** Sets the distance that the subwoofer is located from the listening area and applies an acoustic delay to compensate for the time that the audio from the subwoofer takes to reach your ear. Adjustable from 5-80ft (1.5~24M)
2. **Variable/AVR Toggle.** Toggles between using the app to select the delay and the AV Receiver selecting the delay.
3. **Feet/Meters Toggle.** Toggles between measurement in Feet and Meters.



Manual EQ

Manual EQ. Allows you to manually adjust the Frequency, Gain and Q of 4 independent EQs. Select the EQ you would like to adjust using the radio buttons labeled “EQ1, EQ2, EQ3, EQ4” then choose the frequency, amount of gain or cut and Q using the sliders.



Using Auto EQ

Auto EQ is used to compensate for and correct for acoustic room anomalies that can cause inferior bass performance. Auto EQ takes a series of measurements in and around your primary listening position, makes complex calculations and applies those acoustic corrections- all from the comfort of your listening area.



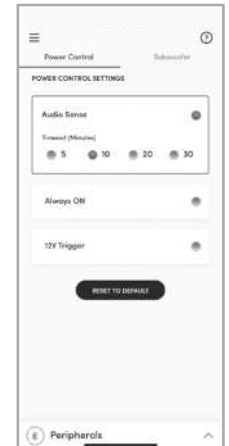
NOTE: Before you begin, be sure to shut off all sources of ambient noise before taking measurements. Failure to do so may cause undesired/sub-optimal effects.

1. To begin Auto EQ, make sure that the Auto EQ toggle is turned on, then press the Start button.
2. Choose up to 3 locations near your listening area and run each sweep.
3. Once finished select “calculate” to apply the Auto EQ room correction to the subwoofer.
4. Repeat steps 1-3 for each additional subwoofer in the system.



Settings

1. **Audio Sense.** Sets the approximate time it takes before the subwoofer goes into Standby mode when no audio signal is present. You can select between 5, 10, 20, 30 minutes or always on
2. **Reset to Default.** Puts the subwoofer back to its factory default settings.



SPECIFICATIONS

FRS-8	11.9kg approx.
Woofer	10" High-excursion Fiberglass Cone with Big-Roll Surround
Frequency Response	24-200Hz
Amplifier Power	1000 Watts Peak
Communication Type	Bluetooth Low Energy
Crossover Frequency	40-500Hz
Dimensions (L x W x H) mm / inches	10.3" x 10.7" x 11.1" (262mm x 272mm x 282mm)
Voltage	100-120VAC or 220-240VAC Selectable
Cabinet	1" High Gloss MDF
FRS-10	18.0kg approx.
Woofer	10" High-excursion Fiberglass Cone with Big-Roll Surround
Frequency Response	24-200Hz
Amplifier Power	1000 Watts Peak
Communication Type	Bluetooth Low Energy
Crossover Frequency	40-500Hz
Dimensions (L x W x H) mm / inches	12.2" x 12.6" x 13" (310mm x 320mm x 330mm)
Voltage	100-120VAC or 220-240VAC Selectable
Cabinet	1" High Gloss MDF
FRS-12	20.9kg approx.
Woofer	12" High-excursion Fiberglass Cone with Big-Roll Surround
Frequency Response	20-200Hz
Amplifier Power	1000 Watts Peak
Communication Type	Bluetooth Low Energy
Crossover Frequency	40-500Hz
Dimensions (L x W x H) mm / inches	13.8"A4.2"A4.6" (351mm x 361mm x 371mm)
Voltage	100-120VAC or 220-240VAC Selectable
Cabinet	1" High Gloss MDF
FTEQ-12	44.3kg approx.
Woofer	Dual 12" High-excursion Kevlar Cone with Big-Roll Surround
Frequency Response	17-200Hz
Amplifier Power	1000 Watts x 2 Peak
Communication Type	Bluetooth Low Energy
Crossover Frequency	40-500Hz
Dimensions (L x W x H) mm / inches	19.2"A8.1"A7.7" (488mm x 460mm x 450mm)
Voltage	100-120VAC or 220-240VAC Selectable
Cabinet	1" High Gloss MDF

LIMITED 2-YEAR WARRANTY

Nortek Security & Control, LLC ("Nortek Security & Control") warrants to the original retail purchaser only that this product will be free of manufacturing defects in material and workmanship for the following periods and subject to the limitations and exclusions set forth below:

2-Year Warranty

This warranty is not transferable to subsequent purchasers of the product. To obtain warranty service, contact the authorized dealer where you purchased your product or take the unit to the nearest authorized dealer (with proof of purchase – claims made without proof of purchase will be denied) who will test the product and if necessary, forward it to Nortek Security & Control for service. If there are no authorized Dealers in your area, please contact Nortek Security & Control to receive a factory Return Authorization Number. DO NOT RETURN ANY UNIT WITHOUT FIRST RECEIVING WRITTEN AUTHORIZATION AND SHIPPING INSTRUCTIONS FROM Nortek Security & Control.

Upon examination, Nortek Security & Control will, at its sole option and expense, repair or replace any product found to be defective. Nortek Security & Control will return the repaired or replaced unit to you via its usual shipping method from the factory or repair center to your address in the United States of America or Canada only. Any shipping costs for addresses outside of the United States or Canada shall be the responsibility of the purchaser. In the event that this model is no longer available and cannot be repaired effectively, Nortek Security & Control, at its sole option, may replace it with a different model of equal or greater value, or refund the original purchase price paid.

THE FOREGOING ARE YOUR EXCLUSIVE REMEDIES FOR BREACH OF WARRANTY.

This Warranty does not include service or parts to repair damage caused by improper use or handling, including but not limited to damage caused by accident, mishandling, improper installation, commercial use, abuse, negligence, or any defect caused by repair to the product by anyone other than Core Brands. This warranty does not cover reimbursement for your costs of removing and transporting the product for warranty service evaluation, or installation of any replacement product provided under this warranty.

This Warranty will be void if:

- The Serial Number on the product has been removed, tampered with or defaced.
- The product was not purchased from an authorized dealer or reseller.

THE FOREGOING WARRANTIES ARE EXCLUSIVE AND IN LIEU OF ALL OTHER EXPRESSED AND IMPLIED WARRANTIES.

NORTEK SECURITY & CONTROL EXPRESSLY DISCLAIMS ALL SUCH OTHER WARRANTIES, INCLUDING BUT NOT LIMITED TO IMPLIED WARRANTIES OF MERCHANTABILITY, FITNESS FOR A PARTICULAR PURPOSE AND NON-INFRINGEMENT, WITH RESPECT TO THE PRODUCT. TO THE MAXIMUM EXTENT PERMITTED BY LAW, NORTEK SECURITY & CONTROL SHALL NOT BE RESPONSIBLE FOR ANY INCIDENTAL OR CONSEQUENTIAL DAMAGES EXCEPT TO THE EXTENT PROVIDED (OR PROHIBITED) BY APPLICABLE LAW, EVEN IF NORTEK SECURITY & CONTROL HAS BEEN ADVISED OF THE POSSIBILITY OF SUCH DAMAGES.

Notwithstanding the above, if you qualify as a "consumer" under the Magnuson-Moss Warranty Act, or applicable state laws, then you may be entitled to any implied warranties allowed by law for the Warranty Period. Further, some states do not allow limitations on how long an implied warranty lasts or allow the exclusion or limitation of consequential damages, so such limitations may not apply to you. This warranty gives you specific legal rights, and you may also have other rights which vary from state to state.

For the name of your nearest authorized dealer, contact: Nortek Security & Control, 5919 Sea Otter Place, Suite 100 Carlsbad, CA 92010, or call (800) 472-5555 or (707) 778-5733.

With regard to sales over the Internet, please be advised that Nortek Security & Control only sells products through a select group of authorized Internet Resellers. Products offered on the Internet through unauthorized Internet dealers are not covered by Nortek Security & Control.

1. Goods acquired on a secondary or gray market
2. Counterfeit or stolen goods
3. Damaged, or defective goods

Please fill in your product information and retain for your records.

Model _____

Serial # _____

Purchase Date _____

ATTENTION: To Our Valued Customers

To ensure that consumers obtain quality pre-sale and after-sale support and service, products are sold exclusively through authorized dealers. This warranty is VOID if the products have been purchased from an unauthorized dealer.

Nortek Security & Control offers a variety of accessories to make your installation of this and other products easy, economical, and professional. To learn more about our products, technologies and specifications, go to: www.nortekcontrol.com or contact your authorized Dealer for more information. For technical inquiries, please call 1-800-448-0976.

In our attempt to constantly improve our products, features and specifications are subject to change without notice.

www.proficientaudio.com

©2020 Nortek Security & Control LLC. All rights reserved. Proficient is a registered trademark of Nortek Security & Control LLC.

Nortek Security & Control LLC

10030603 Rev-A