

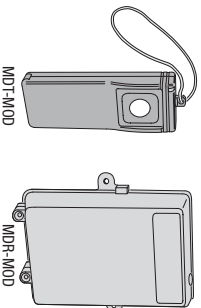


MDT-MOD MDR-MOD



PERSONAL BODY ALARM SYSTEM

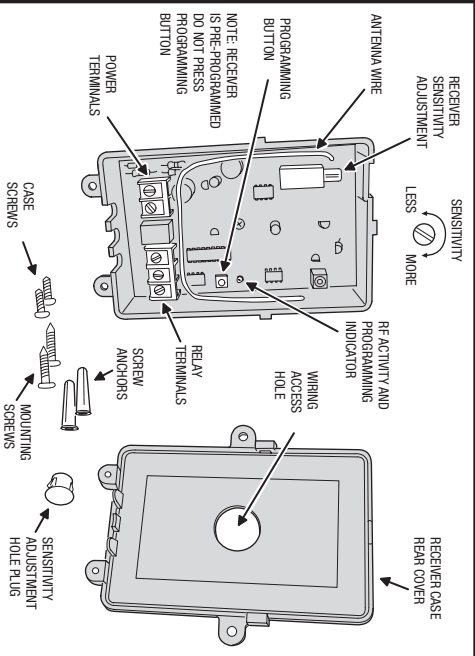
Installation Instructions



WARNING: Changes or modifications not expressly approved by manufacturer could void the user's authority to operate the equipment. This equipment has been tested and found to comply with the limits for a class B digital device, pursuant to Part 15 of the Federal Communications Commission (FCC) rules. These limits are designed to provide reasonable protection against harmful interference in a residential installation. This equipment generates, uses and can radiate radio frequency energy and, if not installed and used in accordance with the instructions, may cause harmful interference to radio communications. However, there is no guarantee that interference will not occur in a particular installation. If this equipment does cause harmful interference to radio or television reception, which can be determined by turning the equipment off and on, the user is encouraged to try to correct the interference by one or more of the following measures:

- Reorient or relocate the receiving antenna.
- Increase the separation between the equipment and receiver.
- Connect the equipment into an outlet on a circuit different from that to which the receiver is connected.
- Consult the dealer or an experienced radio/television technician for help.

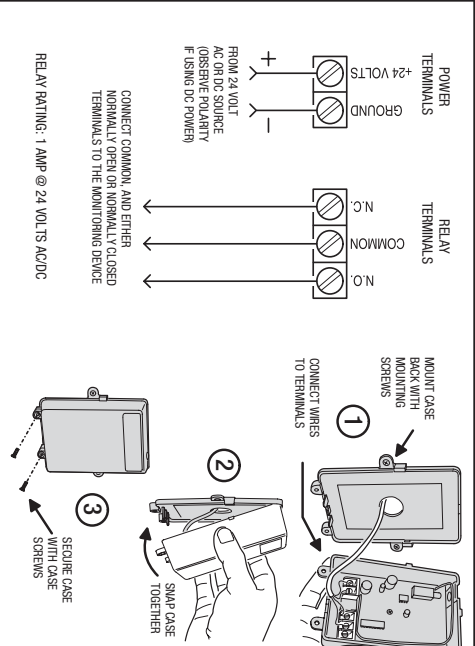
3. RECEIVER COMPONENT LOCATIONS



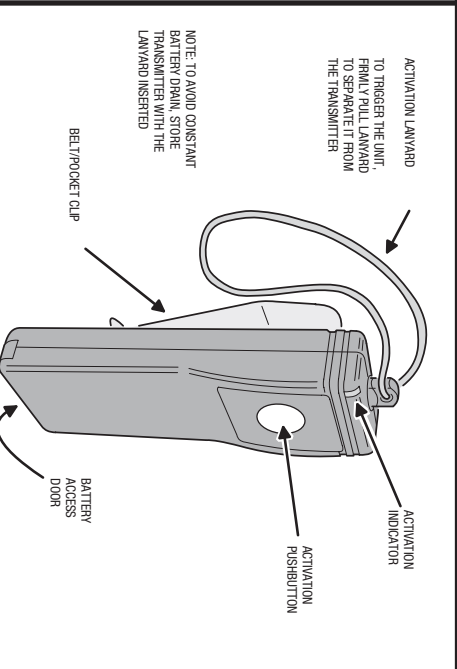
1. PRODUCT DESCRIPTION

The Model MDT-MOD transmitters and Model MDR-MOD receivers are designed as wireless components in a portable Personal Body Alarm System. The system will help to locate an individual in distress. Each device is digitally coded to prevent undesired activation from adjacent systems operating on the same frequency. All MDT-MOD transmitters and MDR-MOD receivers are pre-coded at the factory to the same digital code. Model MDT-MOD transmitters feature a stainless steel belt clip on the rear of the unit for fastening to a utility belt or pocket. Transmitters are activated by pulling the lanyard attached to the top of the unit, or by pressing the button on the face of the unit. The red activation indicator on the top corner of the transmitter lights when the device is triggered. When the lanyard is separated from the transmitter, a digitally coded radio signal is sent for ten seconds. Any MDR-MOD receivers that are within radio range of the transmitter will activate. The radio range of each receiver is adjustable, allowing customized signal coverage at each receiver's location. When a receiver detects a properly coded signal from one of the transmitters, its isolated Form "C" relay (normally open & closed contacts) will activate. The relay contacts are intended to be hardwired to associated announcement equipment that will pinpoint the location of the receiver. Transmitters are powered by two Type 2032 lithium "coin cell" batteries. When the batteries get low, the red indicator on the transmitter will light dimly when the unit is activated. If the red indicator no longer lights when the transmitter is activated, the batteries should be replaced. **NOTE:** Even though the transmitter stops sending a signal ten seconds after the lanyard is pulled, the red indicator will stay lit until the lanyard is replaced. To avoid constant battery drain, replace the lanyard. Receivers are powered from a 24 V DC or AC power source. They each require 25 mA standby, and 60 mA operating current. The red indicator in the receiver shows RF signal activity and is used during reprogramming.

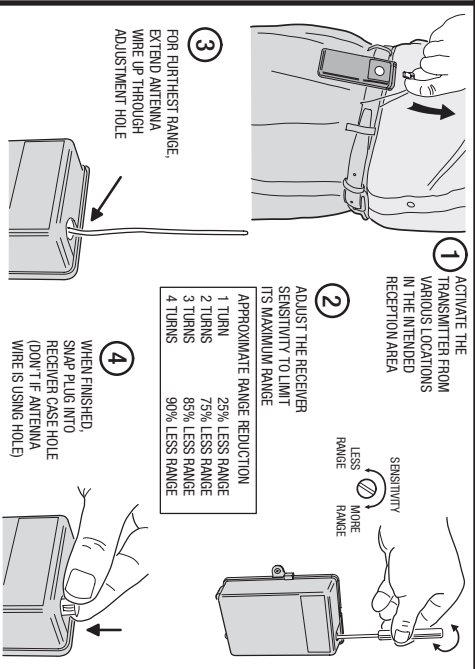
4. RECEIVER INSTALLATION



2. TRANSMITTER FEATURES



5. TEST AND ADJUST SYSTEM



NORTEK SECURITY & CONTROL LLC WARRANTY

The Nortek Security & Control LLC product is warranted against defects in material and workmanship for twelve (12) months. The Warranty Expiration Date is labeled on the product. This warranty extends only to wholesale customers who buy direct from Nortek or through Nortek's normal distribution channels. Nortek does not warrant this product to consumers. Consumers should inquire from their selling dealer as to the nature of the dealer's warranty, if any. There are no obligations or liabilities on the part of Nortek consequential damages arising out of or in connection with use or performance of this product or other indirect damages with respect to loss of property, revenue, or profit, or cost of removal, installation, or reinstallation. All implied warranties, including implied warranties for merchantability and implied warranties for fitness, are void only until Warranty Expiration Date as labeled on the product. The Nortek Warranty is in lieu of all other warranties express or implied. All products returned for warranty service require a Return Product Authorization Number (RPAN). Contact Nortek Technical Services at 1-509-421-1587 for an RPAN and other important details.

FCC & I.C. Notice

This device contains license-exempt transmitter(s) / receiver(s) that comply with Innovation, Science and Economic Development Canada's licence-exempt RSS(S). Operation is subject to the following two conditions:
1. This device may not cause interference.
2. This device must accept any interference, including interference that may cause undesired operation of the device.
L'émetteur/récepteur exempt de licence contenu dans le présent appareil est conforme aux CNR d'Innovation, Sciences et Développement économique Canada applicables aux appareils radio exempts de licence. L'exploitation est autorisée aux deux conditions suivantes:
1. L'appareil ne doit pas produire de brouillage.
2. L'appareil doit accepter tout brouillage radioélectrique subi, même si le brouillage est susceptible d'en compromettre le fonctionnement.



USA & Canada (800) 421-1587 & (800) 302-0123
(760) 438-7000 - Toll Free FAX (800) 488-1340
www.nortekcontrol.com

6. REPLACING TRANSMITTER BATTERIES

