

2GIG® EDGE Security & Smart Home System 2GIG-EDG-RK | Edge Remote Keypad



Proprietary & Confidential

Introduction

The Remote Keypad (2GIG-EDG-RK) is a wall-mounted, full-color, touch screen interface that provides all of the same easy-to-use keypad functions available on the Control Panel. It is designed for indoor use only and gives users the ability to arm and disarm the system, see the status of sensor zones, and control Smart Home devices.

Choose the Location for the 2GIG EDGE Remote Keypad's Backplate

Before mounting the backplate, choose a location. Work with the end user to determine the best location. Always choose an indoor location protected from temperature extremes.

Recommended Tools and Equipment

To install the system, these tools and equipment are recommended:

- 2-Conductor Power Wire (if connecting power supply to the panel's terminal block)
- Drywall Saw (or equivalent)
- Screwdrivers
- Staple Gun
- Wire Stripper

Choose the Wall Location

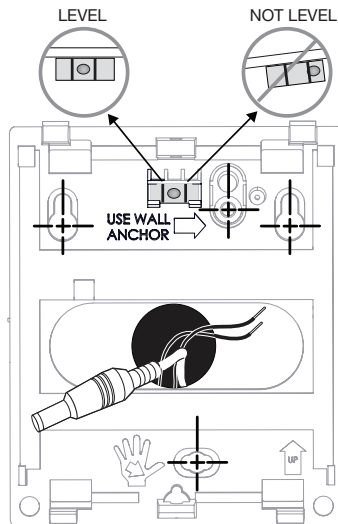
To choose a wall location:

- Always choose a location that is above ground and centrally located. Do NOT install the Panel below ground level, because wireless range may be impaired.
- Do NOT connect the Panel to a light switch-controlled outlet.
- Avoid choosing a location that can be easily viewed from doors or windows.
- Avoid choosing a location that is within reach of small children.
- Avoid choosing a location in direct sunlight.

1. Align Backplate for Hole Locations

Remove the backplate from the panel by backing out the top and bottom screws until you feel resistance.

Once removed, create mounting holes and cut a slot in the dry wall for the AC power cord.

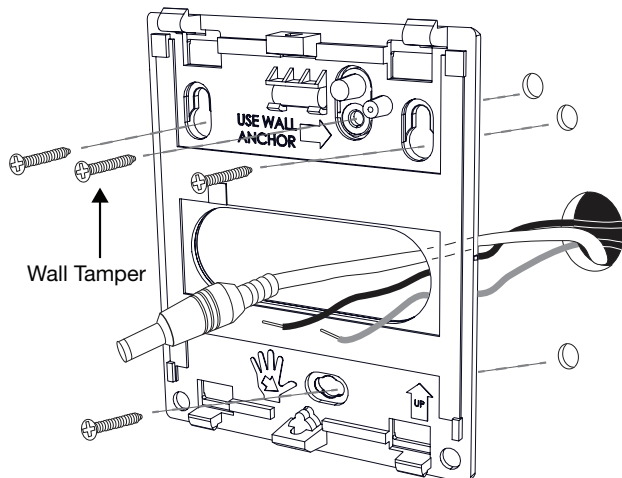


2. Mount the Backplate to a Wall

Use the four (4) wall anchors and screws (supplied).

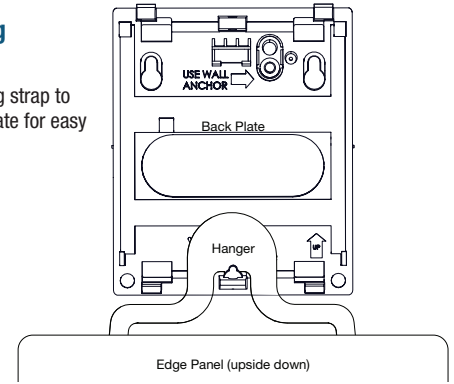
NOTE: The Wall Anchor is the wall tamper and **MUST** be anchored to work.

Illustration displays both types of power connection:
Install the 2 - conductor power wires or Barrel Connector



3. Attach Hanger for Wiring (optional)

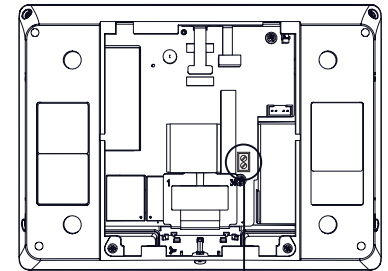
Attach the panel's third-hand hanging strap to the hook at the bottom of the backplate for easy access during wiring.



4. Connect the Power Wires (Terminal Block)

Locate a wall outlet for the plug-in power supply, but do NOT connect the power supply to the outlet at this time.

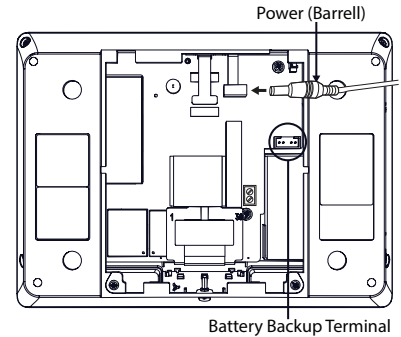
IMPORTANT: Never connect the plug-in power supply to a switch-controlled outlet. Do not over-tighten the terminal block's contact screws.



5. Connect Power (Barrel)

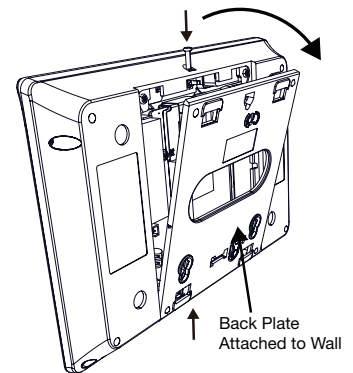
The Barrel connector is an alternate method for connecting the AC power supply to the Panel.

WARNING!! Do NOT plug the power supply into the outlet at this time.



6. Connect Backup Battery

Align pins, then carefully insert the battery cable.



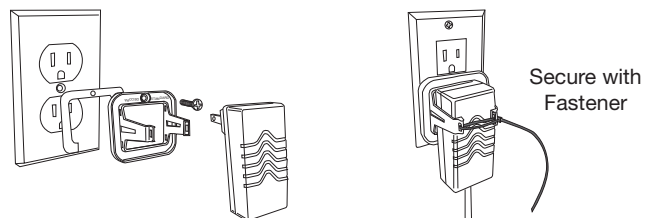
7. Hang the EDGE Remote Keypad

Place the backplate over the lower lip on the back of the chassis, and flip the Remote Keypad upward and push until it clicks into place.

Secure the back plate by tightening the top and bottom screws.

8. Install Retaining Wall Bracket and Connect the AC Power Supply

For compliance with ANSI/NFPA 70: National Electric Code in the United States, you must install the power supply retaining bracket (not required in Canada).



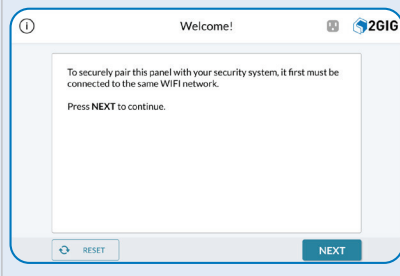
Pair the Edge Remote Keypad

After mounting and powering the Edge Remote Keypad, it will need to be setup and paired with the EDGE Control Panel. The Edge Remote Keypad pairs through a network connection to the Control Panel. The network connection can be through Access Point capability directly to the EDGE Control Panel, or through a local wireless Wi-Fi network.

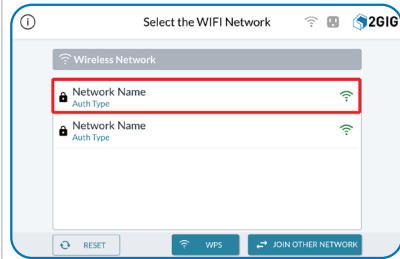
NOTE: Up to eight (8) EDGE Remote Keypads can be paired with a EDGE Control Panel.

Follow these steps and refer to “*Programming Sensors & Peripherals*” in the *2GIG EDGE Security & Automation System Installation & Programming Guide*.

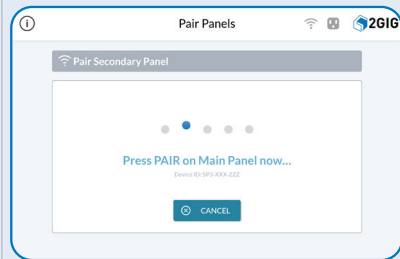
After power up, the Edge Remote Keypad will display a message on the screen. Press NEXT to continue.



If not connected already, connect your EDGE Panel and EDGE Remote Keypad to a Wireless Network.

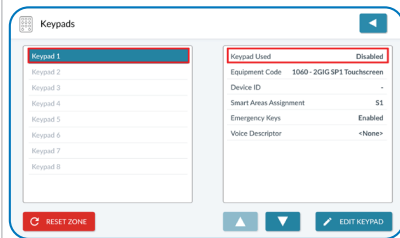


After the Keypad has connected to the chosen WiFi network, you'll be prompted to press PAIR on the Main Panel.

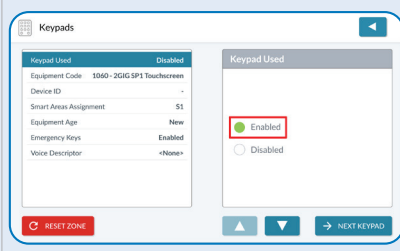


On the primary panel, navigate to the Installer Toolbox (See the *2GIG Edge Security & Smart Home Installation & Programming Guide*).

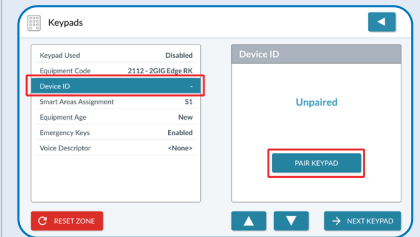
1. Tap **Panel Programming** (🔧).
2. Tap **Keypads** (🔑).
3. Tap an available Keypad#, then tap the adjacent **Keypad Used** setting (or **EDIT KEYPAD**).



Tap **Enabled**.

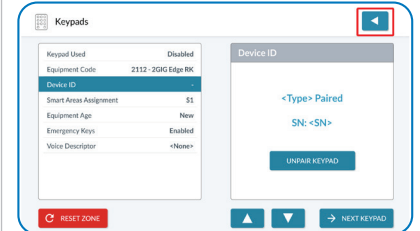


1. Tap **Device ID**.
2. Tap **PAIR KEYPAD**.



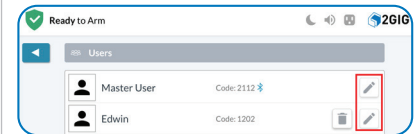
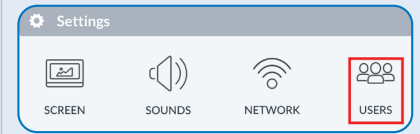
Press the back button (⬅️) repeatedly to return to the Home Screen.

The panels are now paired, both displaying the Home Screen.

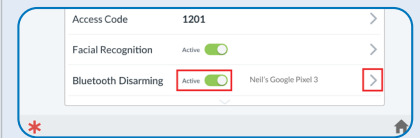


Bluetooth Disarm Setup

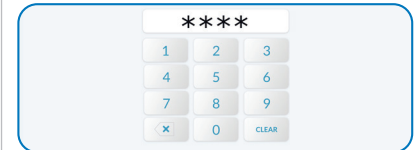
1. At the Home Screen, tap **System Settings** (⚙️), then enter the **Master User Code**.
2. Tap the **Users** (👤) icon.
3. Tap a User's associated pencil icon (✎️) at the Users screen.



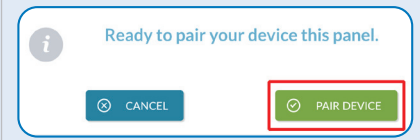
4. Tap the **Bluetooth Disarming** option, then tap the adjacent switch to the “Active” position.
5. Tap >.



6. Enter the User Code.



7. Tap **PAIR DEVICE**. Once paired, tap **OK**.
8. When prompted, enter the code sent to your smartphone.
9. The device is paired.



Limited Warranty

This Nortek Security & Control LLC product is warranted against defects in material and workmanship for one (1) year. **This warranty extends only to wholesale customers** who buy direct from Nortek or through Nortek's normal distribution channels. **Nortek Security & Control LLC does not warrant this product to consumers.** Consumers should inquire from their selling dealer as to the nature of the dealer's warranty, if any.

There are no obligations or liabilities on the part of Nortek Security & Control LLC for consequential damages arising out of or in connection with use or performance of this product or other indirect damages with respect to loss of property, revenue, or profit, or cost of removal, installation, or re-installation. All implied warranties, including implied warranties for merchantability and implied warranties for fitness, are valid only until the warranty expires. This Nortek Security & Control LLC Warranty is in lieu of all other warranties express or implied.

All products returned for warranty service require a Return Authorization Number (RA#). Contact Returns at 1-855-546-3351 for an RA# and other important details.

Technical Support

Should you require support services for this system, contact 2GIG Technical Support at Nortek Security & Control.

For support in the USA and Canada, contact 2GIG Technical Support at Nortek Security & Control:

- > **Phone:** 800-421-1587
- > **Online:** www.nortekcontrol.com/support/
- > **Dealer Site:** dealer.2gig.com

For support outside of the USA or Canada, contact your regional 2GIG distributor. For a list of distributors in your region, visit the websites above.

2GIG® Edge Security & Smart Home System Regulatory Statements



The EDGE Security & Smart Home System (2GIG-EDGE) is marked to indicate its compliance with:

- » United States—Federal Communications Commission (FCC)
- » Canada—Industry Canada (IC)



Please read the appropriate section that corresponds to the marking on the product before attempting to install the product.

UNITED STATES, FCC STATEMENTS

Wireless Product Notice

Radio controls provide a reliable communication link and fill an important need in portable wireless signaling; however, there are some limitations which must be observed.

- » For United States installations only: The radios are required to comply with FCC Rules and Regulations as Part 15 devices. As such, they have limited transmitter power and therefore limited range [approximately 400 feet (121.92 meters)].
- » A receiver cannot respond to more than one transmitted signal at a time and may be blocked by radio signals that occur on or near their operating frequencies, regardless of code settings.
- » Changes or modifications to the device may void FCC compliance. Infrequently used radio links should be tested regularly to protect against undetected interference or fault.
- » A general knowledge of radio and its vagaries should be gained prior to acting as a wholesale distributor or dealer, and these facts should be communicated to the end users.

NOTE: Changes or modification not expressly approved by the party responsible for compliance could void the user's authority to operate the equipment.

INSTRUCTIONS

1. Please test the system at least once per week.
2. Replacement rechargeable battery is 2GIG-EDG-RK-BATT. Replacement batteries are available and are expected to last a minimum of three years under normal conditions.
3. This unit is to be checked by a qualified technician at least once every 3 years.
4. For installation instructions and full users guide, see <https://www.2gig.com/resources/>

NORTH AMERICAN SAFETY STANDARDS

The EDGE Security & Smart Home System is ETL Listed in North America and when installed and configured as described in the EDGE Security & Smart Home System Installation Guide, meets the standards for:

- » UL STD 985: Household Fire Warning System Units and
- » UL STD 1023: Household Burglar Alarm Units
- » UL STD 1610: Central-Station Burglar-Alarm Units
- » CAN/ULC S545: Residential Fire Warning System Control Units
- » ULC S304: Control Units, Accessories and Receiving Equipment for Intrusion
- » ANSI/SIA CP-01-2010: Control Panel Standard - Features for False Alarm Reduction

FCC AND INDUSTRY CANADA STATEMENTS

We, Nortek Security & Control, LLC of 5919 Sea Otter Place, Carlsbad, CA 92010, declare under our sole responsibility that the device complies with Part 15 of the FCC rules.

This device complies with Part 15 of the FCC Rules and Industry Canada licence-exempt RSS standard(s). Operation is subject to the following two conditions:

1. This device may not cause harmful interference, and
2. This device must accept any interference received, including interference received that may cause undesired operation.

Le présent appareil est conforme aux CNR d'Industrie Canada applicables aux appareils radio exempts de licence. L'exploitation est autorisée aux deux conditions suivantes:

1. l'appareil ne doit pas produire de brouillage, et
2. l'utilisateur de l'appareil doit accepter tout brouillage radioélectrique subi, même si le brouillage est susceptible d'en compromettre le fonctionnement.

Federal Communication Commission (FCC) Radiation Exposure Statement: When using the product, maintain a distance of 20cm from the body to ensure compliance with RF exposure requirements.

Déclaration d'exposition aux radiations: Cet équipement est conforme aux limites d'exposition aux rayonnements IC établies pour un environnement non contrôlé. Cet équipement doit être installé et utilisé avec un minimum de 20 cm de distance entre la source de rayonnement et votre corps.

Cet appareil numérique de la classe B est conforme à la norme NMB-003 du Canada.

NOTE: This equipment has been tested and found to comply with the limits for a Class B digital device, pursuant to part 15 of the FCC Rules. These limits are designed to provide reasonable protection against harmful interference in a residential installation. This equipment generates uses and can radiate radio frequency energy and, if not installed and used in accordance with the instructions, may cause harmful interference to radio communications. However, there is no guarantee that interference will not occur in a particular installation. If this equipment does cause harmful interference to radio or television reception, which can be determined by turning the equipment off and on, the user is encouraged to try to correct the interference by one or more of the following measures:

- » Reorient or relocate the receiving antenna.
- » Increase the separation between the equipment and receiver.
- » Connect the equipment into an outlet on a circuit different from that to which the receiver is connected.
- » Consult the dealer or an experienced radio/TV technician for help.

INQUIRIES

Direct all inquiries regarding this regulatory compliance statement to:

Nortek Security & Control LLC
5919 Sea Otter Place, Suite 100, Carlsbad, CA 92010 - USA, 800-421-1587