

User Guide



numera™
Measurably better health.™

Welcome

Thank you for choosing Numera Libris. This user guide provides key information about Libris, including Important Safety Information. Please review it carefully and keep it nearby for reference. If you have questions that are not addressed in the user guide, please call your customer service number.

⚠ Some features and audio prompts described in this User Guide may not apply to your device. Device settings vary by service provider.

About Libris

Libris, a personal mobile responder, is cellular-enabled and designed to provide you personal emergency response services whether you are at home, away from home, and even in the shower or bath.

The Libris device is available with the optional Numera service "EverThere", which allows the user, his/her family, or other support network to receive alerts for emergency events and track the user via GPS. Talk to your service provider about whether EverThere service is right for you.

Libris can be activated by:

- Pressing the Libris Call Button.
- Detecting a fall while wearing the Libris (if this option is enabled).

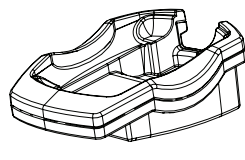
When activated, Libris will automatically call and allow you to speak with your service provider response team and provide information about your location. Your service provider response team can then notify emergency services for you, if needed.

Calling Device



Libris

Accessories



Cradle



Power Cord



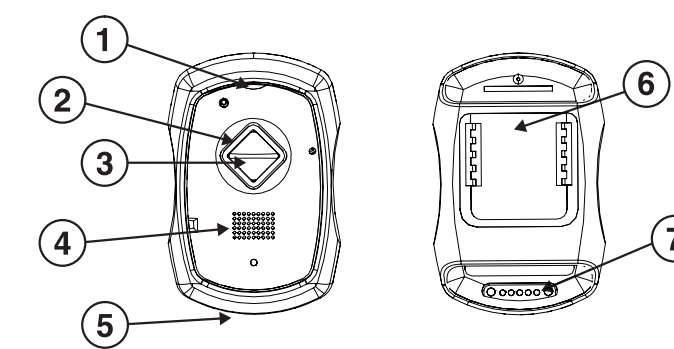
Breakaway Lanyard Clip



Belt Clip

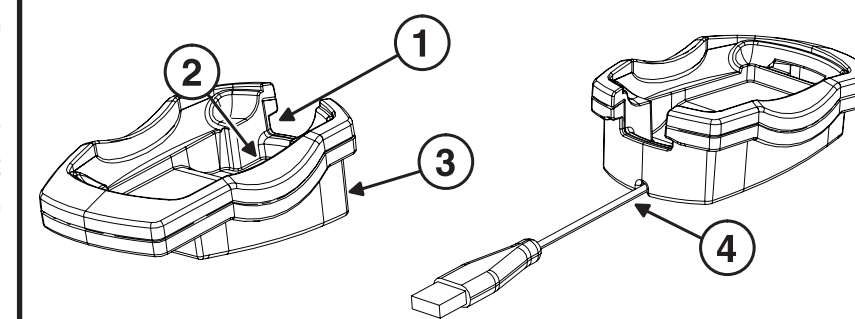
Important Safety Information

- ⚠ FOR PROPER OPERATION, LIBRIS REQUIRES ADEQUATE CELLULAR COVERAGE! POOR CELLULAR COVERAGE MAY RESULT IN THE INABILITY TO PLACE A CALL OR AUTOMATICALLY DETECT A FALL! Check with your service provider for known coverage limitations.**
- ⚠ To reduce risk of strangulation, the Libris Lanyard is designed to break apart under certain conditions. Any cord worn around the neck, however, can pose a risk of strangulation, including the possibility of serious injury and death. Libris users and caregivers should exercise care with the Lanyard to ensure it does not get caught or tangled in wheelchairs, walkers and other such equipment.**
- ⚠ The battery in Libris is not designed to be removed or replaced. Battery tampering carries an inherent risk of explosion. Do not tamper with, replace or manipulate the Libris or battery in any way.**
- ⚠ As with all location-based services, it may not always be possible to determine your location. Multi-level buildings, parking garages, and even dense urban areas can make it difficult for satellites and cell phone towers to determine your exact location.**
- ⚠ In an emergency, please provide your service provider response team with as much information as possible about your location.**
- ⚠ Libris is not a replacement for regular contact with caregivers or access to an alternative means of placing an emergency call.**
- ⚠ While the fall detection system performs well, no such system is 100% reliable. If you experience a fall that causes actual or potential injury, do not wait for the automatic call. You should always press the Call Button manually in an emergency if you are able.**
- ⚠ Libris requires adequate battery charge for proper operation. Low battery may result in the inability to place a call, automatically detect a fall, and/or properly locate you automatically during an emergency. See below for more information regarding the battery indicator and proper testing.**
- ⚠ Libris is designed to be highly water-resistant, not waterproof. Usage other than as directed may result in the inability to place a call, automatically detect a fall, and/or properly locate you automatically during an emergency.**
- ⚠ Use only the Numera-provided Cradle and Power Cord. Keep the Cradle and Power Cord in good condition and located where they do not pose a safety hazard.**
- ⚠ Test this System weekly. It is strongly recommended that you test this equipment at least weekly to ensure the System is working properly.**



Libris Overview

1. Cellular Indicator shows cellular signal strength.
2. Battery Indicator, which surrounds the Call Button, shows battery status.
3. Call Button, when pushed, initiates a two-way call to your service provider response team.
4. Speaker allows you to hear your service provider response team.
5. Microphone allows service provider response team to hear you. It is placed 2/3 up the right hand side of the front face.
6. Clip Lock enables you to affix a Lanyard Clip or Belt Clip.
7. Charging Pins connect Libris to the Cradle (be sure to keep these pins clean and free of debris)



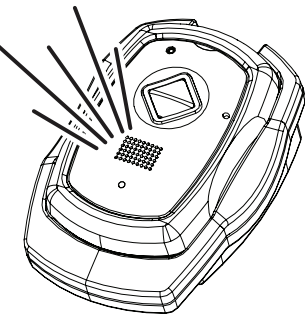
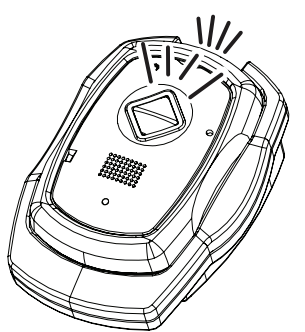
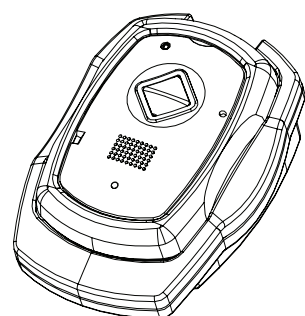
Cradle Overview

1. Cradle is for holding Libris while charging.
2. Charging Pins connect Cradle to the Libris (be sure to keep these pins clean and free of debris).
3. Power Port is where the low voltage connector of the Power Cord connects to the Cradle.
4. Power Cord connects the Cradle's Power Port to a standard wall outlet.

Activation and Set Up

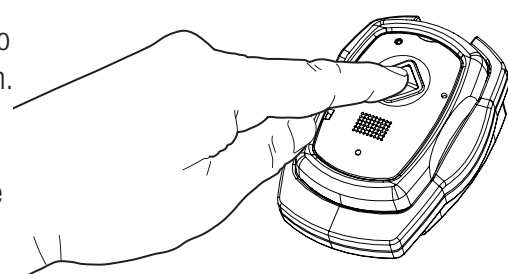
Step 1: Activate Libris

1. Place Libris into the Cradle. While charging, the Cellular and Battery Indicators will be on and show your current cellular signal strength and level of battery charge.
2. Libris will automatically turn on when placed in the Cradle, and it will play an audio message indicating it is ready for its first use: "We are activating your personal mobile responder. We will notify you when activation is complete." Libris will automatically receive any updates and, once activated on the cellular network, will say: "Activation is now complete. We are resetting your personal mobile responder so it is ready for your use. One moment please." Allow up to a minute for Libris to restart.
3. Libris will then play an audio message: "This personal mobile responder will notify your response team when it detects a fall. With one touch of the call button your response team will be available to assist you and will pinpoint your location so help can reach you."



Step 2: Call to Complete Set Up

1. To register your personal mobile responder with your service provider response team, Libris will say: "It's time to meet your response team. Please press and hold the Call Button down to connect to your response team now."



2. With Libris in the Cradle, press and hold the Call Button until Libris initiates the call. Libris can remain in the Cradle during the call to your service provider response team.
3. Listen for the audio message: "Calling your response team now."
4. When you complete the call with your service provider response team, Libris will be set up.

⚠ Important: Libris is not ready for use until you have completed the set up call with your service provider response team and, following that call, have charged Libris in the Cradle for 4 hours.

🔧 Note: If Libris does not power on and begin the activation process or cannot detect a cellular network, call your customer service number.

Cellular Indicator

The Cellular Indicator on top of Libris shows cellular signal strength.

- When the Cellular Indicator is green, Libris has a strong signal.
- When the Cellular Indicator is amber, Libris has a moderate signal.
- When the Cellular Indicator is red, Libris has no signal. Move to an area where you get a cellular signal. Libris will not function properly without an adequate cellular signal.

Cellular Indicator	Strength*
Green	Strong
Amber	Moderate
Red	No signal

*A cellular signal may not be available in all areas.

⚠ FOR PROPER OPERATION, LIBRIS REQUIRES ADEQUATE CELLULAR COVERAGE! POOR CELLULAR COVERAGE MAY RESULT IN THE INABILITY TO PLACE A CALL OR AUTOMATICALLY DETECT A FALL! Check with your service provider for known coverage limitations.

Battery Indicator

The Battery Indicator, which surrounds the Call Button, shows the level of battery charge.

- When the Battery Indicator is green, Libris is adequately charged.
- When the Battery Indicator is amber, Libris is moderately charged.
- When the Battery Indicator is red, the battery charge is low, consider charging soon.

Battery Indicator	Status*	Action Required
Green	Good	Ready for use
Amber	Moderate	No action needed
Red	Low	Charge soon

*The Libris battery is designed to operate on a single charge for 36 hours but may be reduced as a result of user activity, cellular coverage, talk time, device-specific settings, and device life.

⚠ Important: Libris requires an adequate battery charge to function properly. Prior to use, please charge Libris at least 4 hours. We recommend charging the device each night.

Indicator Light Settings

The cellular and battery indicator light settings may be configured by your service provider to flash at a regular interval or activate by quickly pressing the Call Button.

Sleep Mode

Any time Libris is placed in the Cradle, it will enter Sleep Mode cycles for approximately one hour. During this time, the cellular signal strength indicator light will turn off or flash red. Libris will automatically exit Sleep Mode if the Call Button is pressed, the device is removed from the Cradle, or it is between Sleep Mode cycles.

Wearing Libris

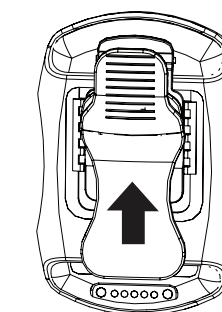
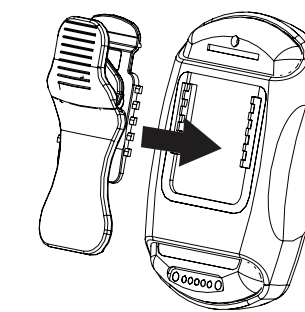
Libris can be worn on a belt using the Belt Clip, or as a pendant around your neck using the Lanyard Clip. Although the Libris can be worn inside clothing, be advised it may be difficult to reach help button in an emergency. Talk to your health care provider regarding the most effective way to wear your Libris.

⚠ Use only the Numera-provided Lanyard. To reduce risk of strangulation, the Libris Lanyard is designed to break apart under certain conditions. Any cord worn around the neck, however, can pose a risk of strangulation, including the possibility of serious injury and death. Libris users and caregivers should exercise care with the Lanyard to ensure it does not get caught or tangled in wheelchairs, walkers and other such equipment.

⚠ Important: Libris requires a vertical position with the Call Button facing away from the body to operate properly.

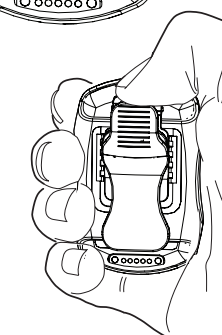
Attaching Belt Clip or Lanyard Clip

1. Align the notched side of the Clip with the notched area on the back.
2. Press inward until the Clip notches are nested within the Libris notches.
3. Firmly push the Clip toward the top of the device. It is secure when you hear a click or you can no longer see the notches on the Clip.



Removing the Clip

1. Hold Libris in your hand as shown, with the Call Button facing the palm of your hand.
2. Forcefully push downward on the Clip with your thumb to open.



Turning On and Off

To turn Libris on, press the Call Button and hold it until the Battery Indicator flashes. Libris will play music while it starts up. Once connected, Libris will play a message: "Your personal mobile responder is ready."

Placing Libris into the Cradle will turn it on automatically. Start-up audio prompts are silenced while this function is carried out in the Cradle.

To turn Libris off, press the Call Button twice, holding down the second press for 7 seconds until Libris plays a message announcing that you have requested to turn it off. It will ask you to confirm by pressing the Call Button one more time. If done correctly, Libris will play the following message: "Powering off now. Good bye."

🔧 Note: When you first receive Libris, leave it in the Cradle for 4 hours.

