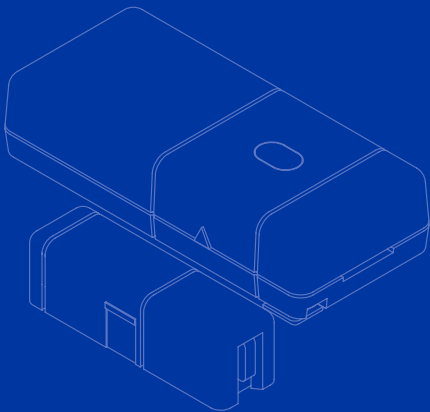


Welcome to your

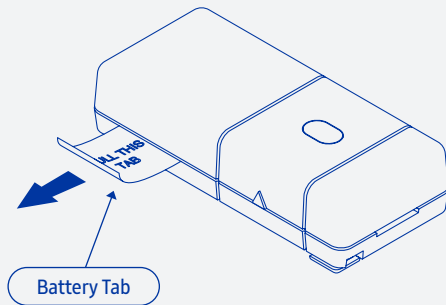
ADT Door and Window Detector



1 Setup

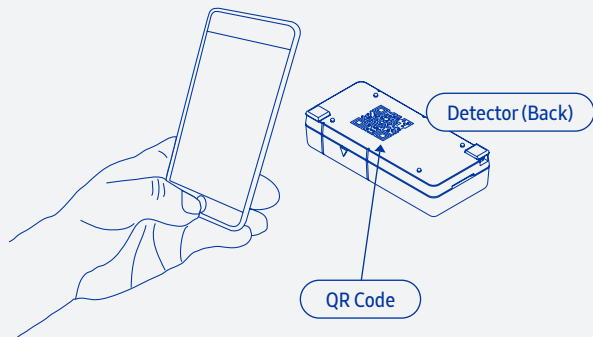
1. Take the ADT Door and Window Detector to where you intend to mount it after setup.
 - Make sure you are within 350 feet from the ADT Security Hub. (Exact range depends on your home's construction, environment, position of the ADT Security Hub, and the position and number of other connected devices.)
 - Make sure that your ADT Security Hub is disarmed before connecting a new device.

2. Use the SmartThings app on your smartphone to select the "My Home" tab. Select "Things", and then "Add a Thing".
3. Remove the tab on the detector marked "Pull This Tab".



Setup

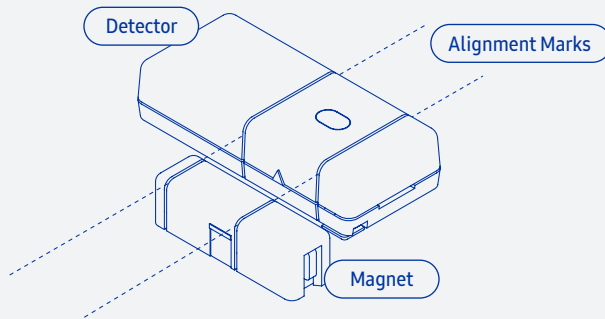
4. Use the SmartThings app to scan the QR code on the back of the detector and then follow the on-screen instructions to complete setup.



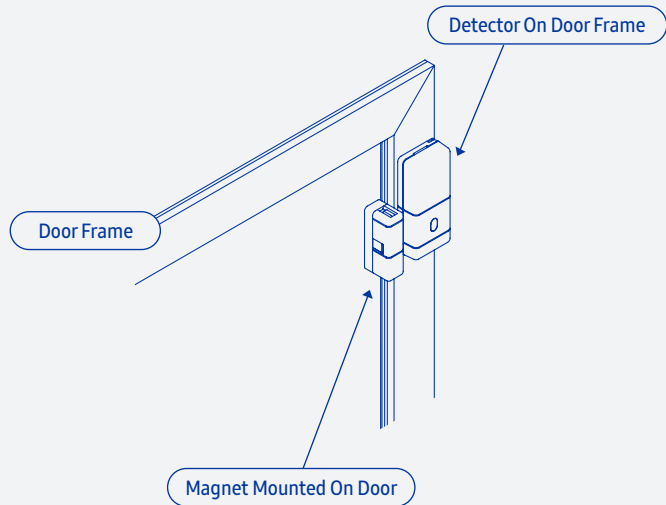
5. Remove the QR code from the back of the detector and attach it to this guide for future reference.

2 Placement

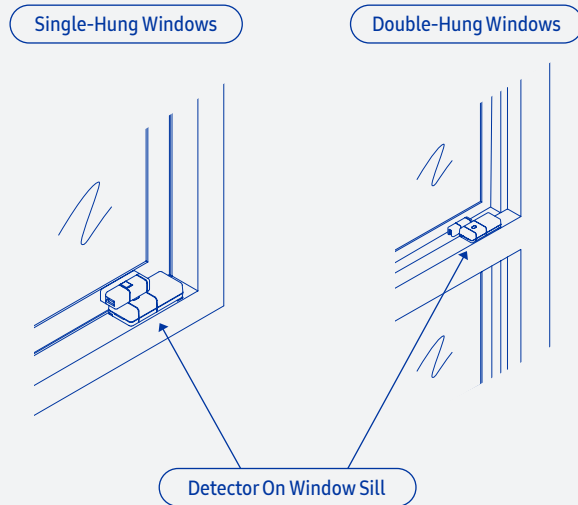
Make sure that the alignment marks on both parts of the detector are aligned and facing each other.



Placement on doors:



Placement on windows:

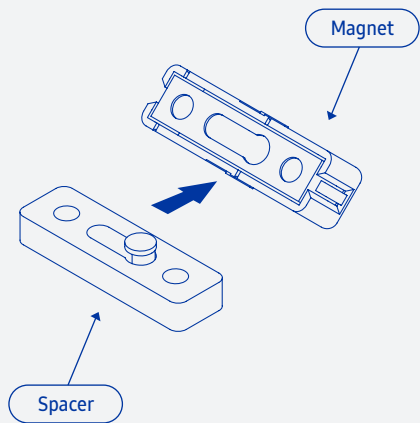


3 Mounting

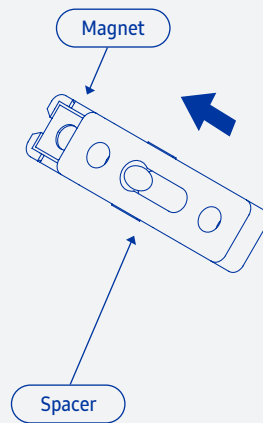
1. Use the pre-applied adhesive tape when attaching both parts of the detector to your door or window.
 - Make sure that all surfaces are clean and dry.
 - Make sure to place both parts of the detector correctly as the adhesive tape will be difficult to remove.
 - Place the detector at the top of door or window frames to avoid accidental damage.
2. Place one part of the detector on your door or window, and the other part on the frame of the door or window.
 - Make sure that both parts of the detector are less than 0.5 inches apart when the door or window is closed.
 - For double doors, attach the smaller part of the detector to the most-used door and the larger part to the least-used door.
 - If needed, adjust the height of the smaller part of the detector by squeezing the tabs on the side, or by adding the supplied spacer.

To add the supplied spacer:

1. Insert spacer pin into magnet base slot.



2. Slide spacer forward to lock it onto the magnet.



4 Testing

You can test your ADT Door and Window Detector by opening and closing the door or window where it's been installed, and then checking its status on the ADT Security Hub touchscreen or in the SmartThings app.

Note: If you have an ADT professional monitoring service activated, make sure that your ADT Security Hub is in Test Mode to avoid triggering a false alarm. See the **ADT Security Hub User Guide** for more details.

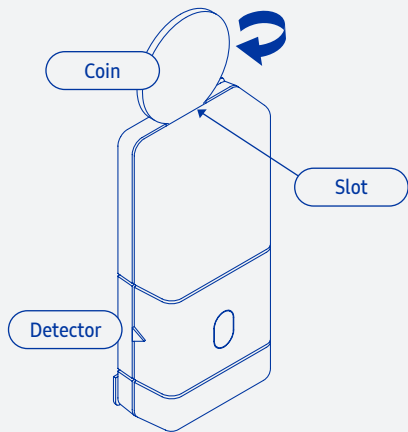
5 Troubleshooting

1. Press and release the button on the top of the detector twice.
2. Press and hold the button. The red LED will begin to blink quickly and after 5 seconds it will stay on.
3. Release the button and after another 5 seconds the red LED will begin to blink slowly.
4. Use the SmartThings app to complete setup.

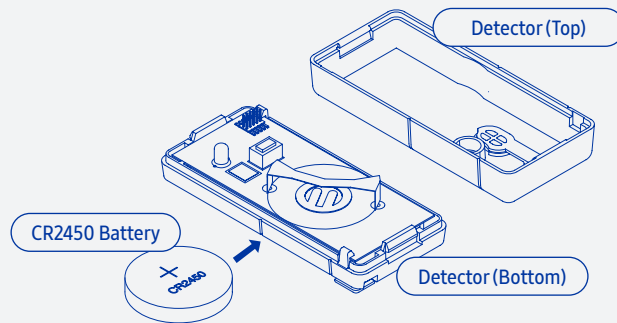
If you're still having trouble connecting the ADT Door and Window Detector, please visit [SmartThings.com/Support-ADT](https://www.smartthings.com/support-adt) for assistance.

6 Replacing Batteries

1. Remove the cover by twisting a small flat screwdriver or a coin in the slot on either end of the detector.



2. Remove the old battery and insert a new CR2450 battery. Be sure to install the battery with the + side up.
3. Replace the cover.



Using your

ADT Door and Window Detector

7 Suggestions

The ADT Door and Window Detector monitors whether doors and windows are open or closed. When the two parts of the detector move away from each other, a notification is sent wirelessly to your ADT Security Hub.

Your ADT Security Hub can then send an alert to your smartphone, automate connected devices, or initiate optional ADT professional monitoring services (additional fees apply).

There are many ways you can use an ADT Door and Window Detector in your home:

- Put one on your door or window and set it to initiate optional ADT professional monitoring services if an intrusion is detected in your home (additional fees apply).

Suggestions

- Put one on your front door and set it to send you a message if it's left open for too long.
- Put one on your door or window and set it to send you a message if they're left open at night.
- Put one on your front door and set it to turn on connected lights when you arrive home in the evening.
- Put one on your back door and set it to activate a connected lock when it's been closed for a few minutes.

Note: To ensure proper functioning, all connected devices must be configured correctly.

Visit [SmartThings.com/Welcome](https://www.smartthings.com/Welcome) for more ideas, tips, and special offers.

8 Works With SmartThings

SmartThings works with a wide range of connected devices, including lights, cameras, locks, thermostats, and sensors. It also works with the **Google Assistant** and **Amazon Alexa** so you can control your smart home with voice commands.

Look for the **Works with SmartThings** label next time you're buying a connected device for your home, or visit [SmartThings.com](https://www.smartthings.com) to see the full list of compatible devices.





Health, Safety and Regulatory Guide

Safety Instructions

- Read, keep, and follow these instructions. Heed all warnings.
- Clean only with a dry cloth.
- Do not install near any heat sources such as radiators, heat registers, stoves, or other apparatus (including amplifiers) that produce heat.
- Only use attachments and accessories specified by the Manufacturer.
- Read our Product Usage Guidelines at: www.SmartThings.com/Guidelines.

Safety Instructions: ADT Security Hub

Limitations of Alarm Products: This product should be tested periodically to make sure it is working properly. The product, if used properly, may reduce the risk of burglary, robbery, and other adverse events that have the potential to result in injury or loss of life; however, the manufacturer is not an insurer. This product is neither insurance nor a guarantee that such an event will be prevented, and users should protect themselves with proper insurance. The manufacturer makes no representation that this product cannot be compromised or circumvented, that it will provide an adequate warning, or that it will prevent any personal injuries, property damage, or other losses. Like any alarm product, it may be bypassed, it is subject to compromise, and it may fail to warn for a variety of reasons, including, but not limited to:

- improper installation or positioning; improper maintenance; tampering; dead or improperly installed batteries; sensing limitations; component failures; receivers;
- intrusions may be outside of a product's designated range and certain environmental conditions may impact performance, and audible alarm signals may be outside of hearing range, muted by doors, walls, and floors, unheard by deep sleepers or the hearing-impaired, or overwhelmed by other sounds.

Risk of Noise Induced Hearing Loss: The ADT Security Hub is equipped with a warning siren. Exposure to high sound levels or prolonged exposure to the warning siren can result in Noise Induced Hearing Loss (NIHL).

Avoid installing the SmartThings Hub near or inside sources of metal, radio or electromagnetic interference.



WARNING: No user-serviceable parts inside. Refer all servicing to qualified service personnel.
IMPORTANT CONSUMER INFORMATION: Please read before activating or using the device.
WARNING: This product contains chemicals known to the State of California to cause cancer and reproductive toxicity. For more information, please call 1-800-SAMSUNG (726-7864).



Safety Instructions: ADT Detectors

- Do not expose products to moisture or extreme temperature.
- Make sure that products are used in a dry location and within the recommended operating temperature:
 - ADT Security Hub: 32° to 120° F (0° to 49° C)
 - ADT Door and Window Detector: 32° to 120° F (0° to 49° C)
 - ADT Motion Detector: 32° to 120° F (0° to 49° C).
 - ADT Water Leak Detector: 32° to 104° F (0° to 40° C)
 - ADT Smoke Alarm: 32° to 104° F (0° to 40° C)
 - ADT Carbon Monoxide Alarm: 32° to 120° F (0° to 49° C)
 - ADT Keychain Remote: 32° to 120° F (0° to 49° C)
- Make sure that the ADT Door and Window Detector is not positioned near metal or metallic surfaces. Example: foil wallpaper.
- The ADT Water Leak Detector is water resistant but not waterproof; avoid submerging it in water or liquid to keep interior dry and to protect batteries. All other detectors should not be used near water or exposed to dripping or splashing of any water or liquid.

CAUTION: RISK OF EXPLOSION IF BATTERY IS REPLACED BY AN INCORRECT TYPE. DISPOSE OF USED BATTERIES ACCORDING TO THE INSTRUCTIONS.

Disclaimer

Some content and services accessible through this device belong to third parties and are protected by copyright, patent, trademark and/or other intellectual property laws. Such content and services are provided solely for your personal non-commercial use.

You may not use any content or services in a manner that has not been authorised by the content owner or service provider. Without limiting the foregoing, unless expressly authorised by the applicable content owner or service provider, you may not modify, copy, republish, upload, post, transmit, translate, sell, create derivative works, exploit, or distribute in any manner or medium any content or services displayed through this device.

US Certifications

Certified under FCC Part 15.



ADT Security Hub

Manufacturer Model : F-ADT-HUB-1
 FCC ID : EF400150
 Battery Type: Shenzhen Grepow Battery CO LTD, MFG P/N: GLP823990

ADT Door and Window Detector

Manufacturer Model : F-ADT-DW-1
 FCC ID : EF400161
 Battery Type: 1 x CR2450 (Panasonic)

ADT Motion Detector

Manufacturer Model : F-ADT-PIR-1
 FCC ID : EF400162
 Battery Type: 1 x CR123A (Panasonic)

ADT Smoke Alarm

Manufacturer Model : F-ADT-SMK-1
 FCC ID : EF400153
 Battery Type: 2 x CR123A (Panasonic)

ADT Carbon Monoxide Alarm

Manufacturer Model : F-ADT-CO-1
 FCC ID : EF400154
 Battery Type: 2 x AAA (Duracell)

ADT Keychain Remote

Manufacturer Model : F-ADT-KEY-1
 FCC ID : EF400155
 Battery Type: 1 x CR2450 (Panasonic)

ADT Water Leak Detector

Manufacturer Model : F-ADT-WTR-1
 FCC ID : EF400156
 Battery Type: CR17345 (Panasonic)

For each of the devices listed in the previous table, the following FCC statements and information apply:

FCC Statement

This device complies with Part 15 of the FCC rules. Operation is subject to the following conditions: (1) This device may not cause harmful interference, and (2) This device must accept any interference received, including interference that may cause undesired operation.

FCC Caution

Any changes or modifications not expressly approved by the party responsible for compliance could void the user's authority to operate this equipment.

Important Note: FCC Radiation Exposure Statement

To satisfy FCC radiation exposure safety requirements for the ADT Security Hub, a separation distance of 20cm or more should be maintained between this device and a person's body.



Information to the User

This equipment has been tested and found to comply with the limits for a Class B digital device, pursuant to Part 15 of the FCC Rules. These limits are designed to provide reasonable protection against harmful interference in a residential installation.

This equipment generates and can radiate radio frequency energy and, if not installed and used in accordance with the instructions, may cause harmful interference to radio communications. However, there is no guarantee that interference will not occur in a particular installation. If this equipment does cause harmful interference to radio or television reception, which can be determined by turning the equipment off and on, the user is encouraged to try to correct the interference by one or more of the following measures:

- Reorient or relocate the receiving antenna.
- Increase the separation between equipment and the receiver.
- Connect the equipment to an outlet on a circuit different from that to which the receiver is connected.
- Consult the dealer or an experienced radio/TV technician for help.

Covered by one or more claims of patents <http://sipcollc.com/patent-list/> and <http://intusiq.com/patent-list/>.

Correct disposal of batteries in this product

(Waste Electrical & Electronic Equipment)
(Applicable in countries with separate collection systems)



This marking on the product, accessories or literature indicates that the product, its electronic accessories (e.g. charger, headset, USB cable), and batteries should not be disposed of with other household waste.

To prevent possible harm to the environment or human health from uncontrolled waste disposal, please separate these items from other types of waste and recycle them responsibly to promote the sustainable reuse of material resources. Where marked, the chemical symbols Hg, Cd or Pb indicate that the battery contains mercury, cadmium or lead above the reference levels in EC Directive 2006/66. If batteries are not properly disposed of, these substances can cause harm to human health or the environment.

Household users should contact either the retailer or installer from which they purchased this product, or their local government office, for details of where and how they can take these items for environmentally safe recycling. Business users should contact their supplier and check the terms and conditions of the purchase contract. This product and its electronic accessories should not be mixed with other commercial wastes for disposal.

WARNING: Failure to follow these warnings and instructions can lead to heat generation, rupture, leakage, explosion, fire, or other injury, or damage. Do not insert the battery into the compartment in the wrong direction. Always replace the battery with the same or equivalent type. Never recharge or disassemble the battery. Never place the battery in fire or water. Always keep batteries away from small children. If batteries are swallowed, promptly see a doctor.

Always dispose and/or recycle used batteries in accordance with the hazardous waste recovery and recycling regulations for your location. Your city, state, or country may also require you to comply with additional handling, recycling, and disposal requirements.

CONSTANT EXPOSURES TO HIGH OR LOW TEMPERATURES OR HIGH HUMIDITY MAY REDUCE BATTERY LIFE.

One (1) Year Limited Warranty

SmartThings, Inc. warrants this product (the "Product") against defects in materials and/or workmanship under normal use for a period of ONE (1) YEAR from the date of purchase by the original purchaser ("Warranty Period"). If a defect arises and a valid claim is received within the Warranty Period, then as your sole remedy (and SmartThings' sole liability), SmartThings will at its option either 1) repair the defect at no charge, using new or refurbished replacement parts, or 2) replace the Product with a new product that is functionally equivalent to the original, in each case within 30 days following receipt of the returned Product. A replacement product or part, assumes the remaining warranty of the original Product. When a Product or part is exchanged, any replacement item becomes your property and the replaced Product or part becomes SmartThings' property.

Obtaining Service: To obtain warranty service, visit Support.SmartThings.com to speak with a service agent or open a service request. Please be prepared to describe the Product that needs service and the nature of the problem. A purchase receipt is required. The Product must be insured, and shipped freight prepaid and securely packaged. You must contact support for a Return Material Authorization Number ("RMA Number") before shipping any Product, and include the RMA Number,

a copy of your purchase receipt and a description of the problem you are experiencing with the Product. Any claim under this Limited Warranty must be submitted to SmartThings before the end of the Warranty Period. Exclusions: This warranty does not apply to: a) damage caused by failure to follow instructions relating to the Product's use or the installation of components; b) damage caused by accident, abuse, misuse, transport, neglect, fire, floods, earthquake or other external causes; c) damage caused by service performed by anyone who is not an authorized representative of SmartThings; d) accessories used in conjunction with a covered Product; e) a Product or part that has been modified to alter functionality or capability; f) items intended to be periodically replaced by the purchaser during the normal life of the Product, including, without limitation, batteries, bulbs or cables; g) a Product that is used commercially or for a commercial purpose, in each case as determined by SmartThings. EXCEPT FOR BODILY INJURY, SMARTTHINGS SHALL NOT BE LIABLE FOR (I) ANY LOST PROFITS, COST OF PROCUREMENT OF SUBSTITUTE PRODUCTS, OR ANY INCIDENTAL OR CONSEQUENTIAL DAMAGES, OR (II) ANY AMOUNTS IN EXCESS OF THE PURCHASE PRICE FOR THE PRODUCT, IN EACH CASE WHETHER RESULTING FROM THE USE OF OR INABILITY TO USE THIS PRODUCT, OR ARISING OUT OF ANY BREACH OF THIS WARRANTY, EVEN IF COMPANY HAS BEEN ADVISED OF THE POSSIBILITY OF SUCH DAMAGES. SOME STATES DO NOT ALLOW THE EXCLUSION OR LIMITATION OF INCIDENTAL OR CONSEQUENTIAL DAMAGES, SO THE ABOVE LIMITATION AND EXCLUSIONS MAY NOT APPLY TO YOU. TO THE EXTENT PERMITTED BY APPLICABLE LAW, SMARTTHINGS DISCLAIMS ANY AND ALL STATUTORY OR IMPLIED WARRANTIES, INCLUDING WITHOUT LIMITATION, WARRANTIES OF MERCHANTABILITY, FITNESS FOR A PARTICULAR PURPOSE AND WARRANTIES AGAINST HIDDEN OR LATENT DEFECTS. IF SMARTTHINGS CANNOT LAWFULLY DISCLAIM STATUTORY OR IMPLIED WARRANTIES, THEN TO THE EXTENT PERMITTED BY LAW, ALL SUCH WARRANTIES SHALL BE LIMITED IN DURATION TO THE WARRANTY PERIOD. SOME STATES DO NOT ALLOW LIMITATIONS ON HOW LONG AN IMPLIED WARRANTY LASTS, SO THE ABOVE LIMITATIONS MAY NOT APPLY TO YOU.

This warranty gives you specific legal rights and you may also have other rights, which vary from state to state. To exercise your rights under this warranty, please follow the instructions above under the heading "Obtaining Service", or contact SmartThings at SmartThings, Inc., 665 Clyde Ave, Mountain View, CA 94043, USA. Samsung is a registered trademark of Samsung Electronics Co., Ltd. Android is a trademark of Google Inc. Other marks are the property of their respective owners. Device purchase subject to additional SmartThings terms and conditions.

Samsung SmartThings Use of Free and Open-Source Software

This document contains licensing information relating to the use of free and open-source software (FOSS) with or within the Samsung SmartThings software. Any terms, conditions, or restrictions on

FOSS included within the Samsung SmartThings software that are not included within the original FOSS licenses are offered and imposed by Samsung SmartThings alone. The authors, licensors, and distributors of the FOSS disclaim all express or implied conditions, representations, and warranties relating to the FOSS and any liability arising from use and distribution of the FOSS. A document containing the complete and current list of FOSS packages used in Samsung SmartThings software and mobile applications can be found here: www.SmartThings.com/FOSS

The document at the URL above identifies the FOSS packages used in the Samsung SmartThings Hub software, the FOSS licenses that Samsung SmartThings believes govern those FOSS packages, and copyright and license notices associated with Samsung SmartThings' use of the FOSS. While Samsung SmartThings has sought to provide complete and accurate licensing information for each FOSS package, Samsung SmartThings does not represent or warrant that the licensing information provided herein is correct or error-free. Recipients of the product have the option to investigate the identified FOSS packages to confirm the accuracy of the licensing information provided herein. Recipients are also encouraged to notify Samsung SmartThings of any inaccurate information or errors found in these notices.

Certain FOSS licenses, such as the GNU General Public License, GNU Lesser (or Library) General Public License, and Mozilla Public License, require Samsung SmartThings to make available to recipients the source code corresponding to FOSS binaries distributed under those licenses. Users who would like to download source code used by Samsung SmartThings under those licenses can do so by logging in with their Samsung SmartThings account here: https://graph.api.smartthings.com/foss_sources.

Users with questions or concerns regarding Samsung SmartThings use of Free or Open-Source Software can contact us via email at: foss@smartthings.com

Deleting a Location (Home, Office, etc) in the SmartThings app will cause all Z-Wave devices to be disconnected from the ADT Security Hub, requiring them to be excluded and re-included. Visit Support.SmartThings.com for more information. P/N 10015713

SmartThings, Inc., 665 Clyde Ave, Mountain View, CA 94043, USA.
Revised 05/17. Copyright 2017 SmartThings, Inc. All rights reserved. P/N 10015713
ADT and the ADT logo are marks and/or registered marks of ADT. Unauthorized use is strictly prohibited. CA ACO7155, 974443, PPO17232; FL EFO001121; LA F1639, F1640, F1643, F1654; MA 172C; NC Licensed by the Alarm Systems Licensing Board of the State of North Carolina, 7535P2, 7561P2, 7562P10, 7563P7, 7565P1, 7566P9, 7564P4; NY 12000305615; PA 090797; MS 15019511.