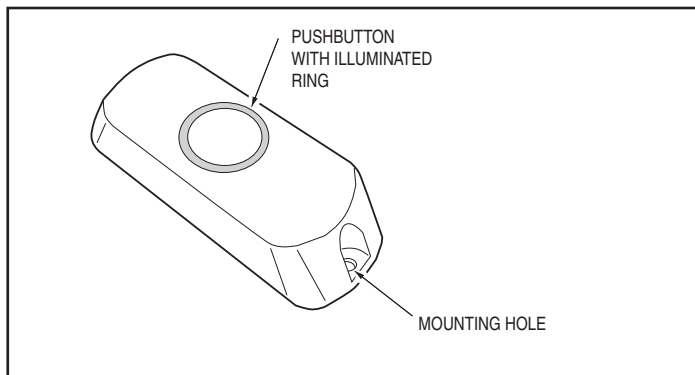




SW-ATT-DB-N

Installation Instructions



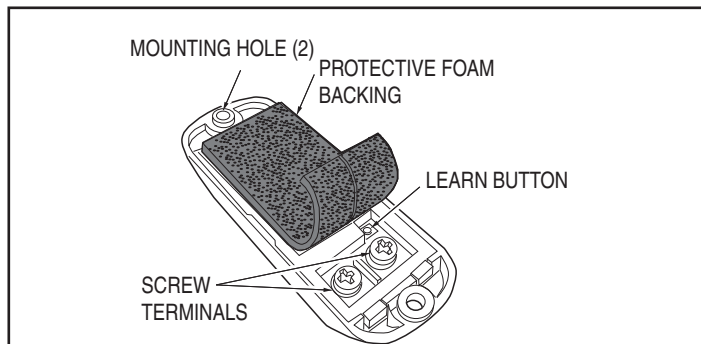
SW-ATT-DB-N Door Chime Button/Sensor

Product Description

The AT&T model number SW-ATT-DB-N is a fully supervised proprietary two-way 915 MHz door chime button transmitter designed to signal the DLC and ring a local door chime when its pushbutton is pressed.

Two terminals in the transmitter connect to the existing household door chime wires. The transmitter is powered by the voltage present on the door chime button wires. When the transmitter's pushbutton is pressed, the two terminals provide a circuit closure that activates the household door chime.

Installing the Transmitter

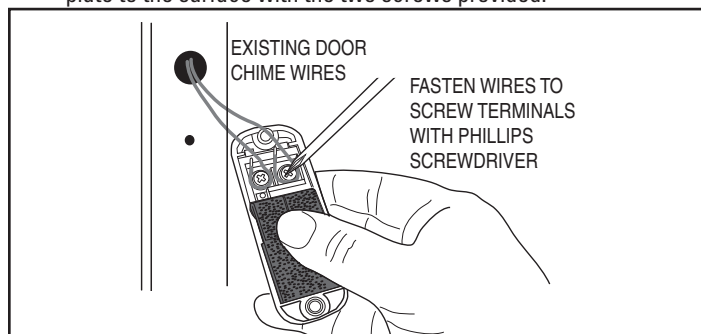


SW-ATT-DB-N Component Locations

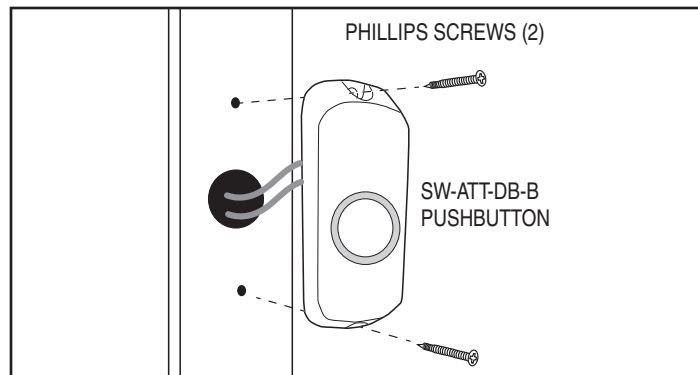
The transmitter typically mounts in the location that replaces the current hardwired door chime pushbutton.

Follow these steps to install the transmitter:

1. Remove the current hardwired door chime pushbutton. Disconnect the two door chime wires and prepare them to connect to the new transmitter.
2. Twist a small screwdriver in the slot on the end of the transmitter and remove the mounting plate.
3. Route the door chime wires through the mounting plate. **Be sure the arrow on the mounting plate points up** and attach the mounting plate to the surface with the two screws provided.



Door Chime/Sensor Mounting



Mounting Door Chime Transmitter Pushbutton

4. Connect the two door chime wires to the two screw terminals inside the transmitter. Polarity is not important.

Wait to close the sensor until after the discovery process.

Discovering and Registering the Transmitter

Follow these steps to discover and register the SW-ATT-DB-N sensor with the customer's system:

1. Use the Web tool to place the system into Discovery Mode.
2. Make the SW-ATT-DB-N discoverable by pressing and holding the sensor's LEARN button for three seconds. The signal indicator will slowly blink during discovery. The LED will turn solid for 15 seconds if discovery successfully completes. The LED will blink fast for 15 seconds if discovery fails.
3. Confirm that the SW-ATT-DB-N sensor has been discovered by the system.
4. If desired, edit the sensor's name and/or location in the system.
5. Attach the sensor to the mounting plate by inserting the two tabs on the bottom end of the mounting plate into the terminal end of the sensor's top case, then snap the case closed.
6. Use the Web tool to place the system into Test Mode then test the sensor by pressing the sensor's pushbutton. The existing household doorbell should also ring when the sensor's pushbutton is pressed.

Specifications

- **Operating Temperature:** -25° to 55° C
- **Operating Frequency:** 915 MHz
- **Dimensions:** 2.75 x 1.17 x 0.63 in. (6.98 x 2.97 x 1.00 cm)
- **External Input:** 16VAC Class 2 transformer
- **Weight:** approx. 1 oz.
- **Housing Material:** ABS plastic
- **Colors:** SW-ATT-DB-N Brushed Nickel

FCC Compliance Statement

This device complies with FCC Rules and Regulations as Part 15 devices as well as Industry Canada license exempt RSS Rules and Regulations. Operation is subject to the following two (2) conditions: This device may not cause harmful interference. This device must accept any interference received, including interference that may cause undesired operation.

This equipment has been tested and found to comply with the limits for Class B Digital Device, pursuant to Part 15 of the FCC Rules. These limits are designed to provide reasonable protection against harmful interference in a residential installation. This equipment generates and can radiate radio frequency energy and, if not installed and used in accordance with the instructions, may cause harmful interference to radio communications. However, there is no guarantee that interference will not occur in a particular installation. If this equipment does cause harmful interference to radio or television reception, which can be determined by turning the equipment off and on, the user is encouraged to try to correct the interference by one or more of the following measures.

- Reorient or relocate the receiving antenna
- Increase the separation between the equipment and receiver
- Connect the equipment into an outlet on a circuit different from that to which the receiver is connected
- Consult the dealer or an experienced radio/TV technician for help.

Any changes or modifications not expressly approved by the party responsible for compliance could void the user's authority to operate the equipment.

Le présent appareil est conforme aux CNR d'Industrie Canada applicables aux appareils radio exempts de licence. L'exploitation est autorisée aux deux conditions suivantes: (1) l'appareil ne doit pas produire de brouillage, et (2) l'utilisateur de l'appareil doit accepter tout brouillage radioélectrique subi, même si le brouillage est susceptible d'en compromettre le fonctionnement.