

Nortek S&C LLC Model: PS15EMZ5-1  
APPLIANCE MODULE  
Series 500 Oper. Freq: 908.4/916MHz  
FCC ID: EF400140 IC: 1078A-00140  
Input: 125 VAC, 60 Hz  
Output: MAX LOAD  
Resistive: 1800W (15A)  
Motor: 1/2 HP  
FOR INDOOR USE ONLY

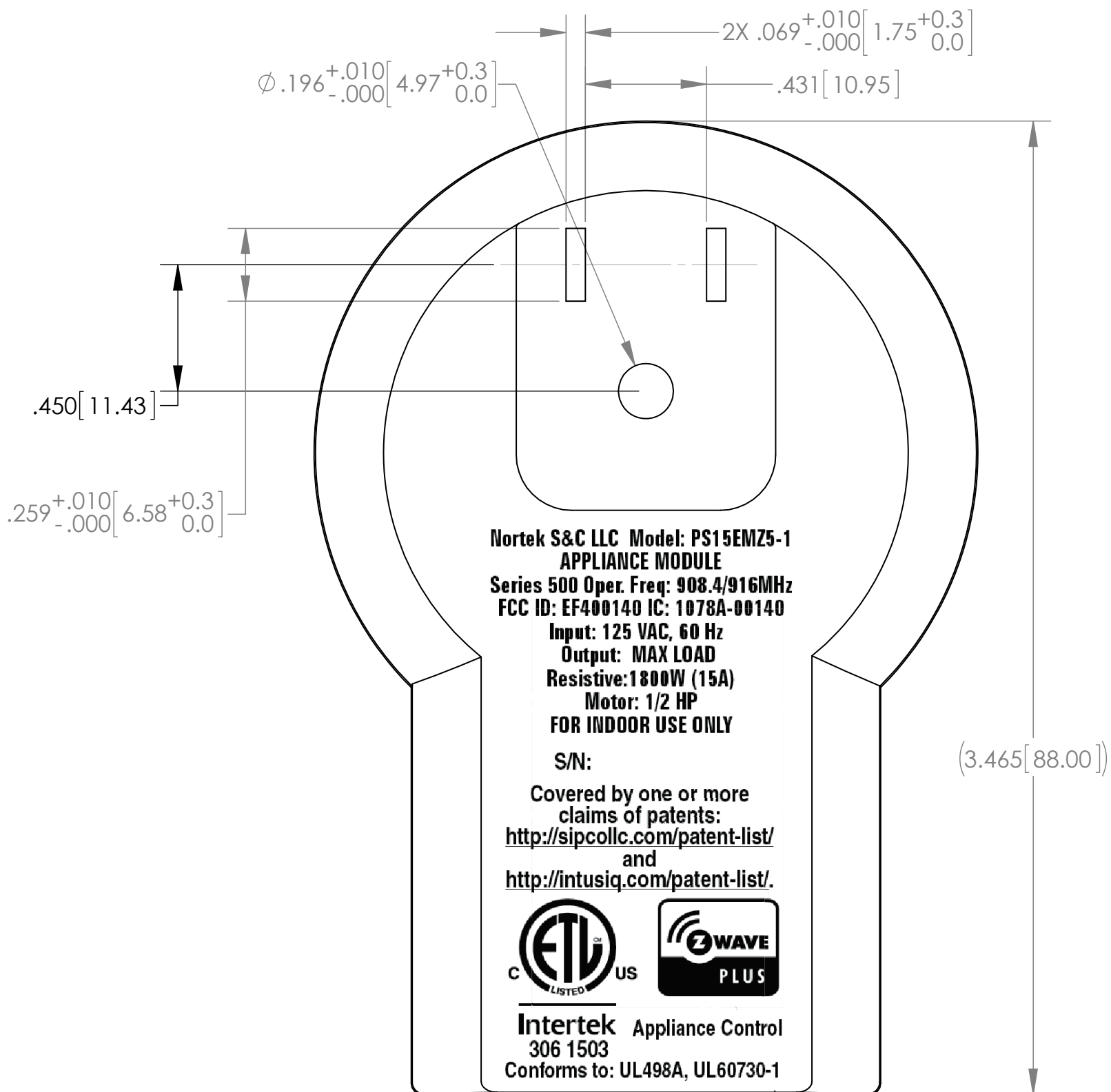
S/N:

Covered by one or more  
claims of patents:  
<http://sipcollc.com/patent-list/>  
and  
<http://intusiq.com/patent-list/>.



Intertek Appliance Control  
306 1503  
Conforms to: UL498A, UL60730-1

LABEL, FCC/SERIAL NO, SWITCH, PLUGZ  
LINEAR P/N: 10010277 X12  
PROCESS: TO BE MARKED WITH LASER.  
SERIAL NUMBER FONT: AERIAL NARROW (2.5mm) 7pt  
FIXED TEXT "S/N:"  
SERIAL NUMBER: YYDDDMXXXXX SEE 10009912 FOR FORMAT  
SERIAL NUMBER SHALL BE UNIQUE FOR EACH UNIT PRODUCED.  
SERIAL NUMBER TO BE CORRELATED TO PRODUCT BUILD DOCUMENTATION  
AND MAINTAINED IN PRODUCT HISTORY DATABASE.  
BUILD DOCUMENTATION DATABASE TO INCLUDE INFORMATION RECORDED  
PER PRODUCT TEST PROCEDURE.  
TOLERANCE:  $\pm .020$ "  
LASER COLOR: PANTONE PMS COOL GRAY 8 C.  
SCALE: 1-1  
NOTE: FOR MECHANICAL DETAILS SEE DRAWING 10009624 AND IMAGE FOR  
ARTWORK PLACEMENT.



**BACK VIEW**