

Nortek S&C LLC Model: PD300EMZ5-1
DIMMER MODULE
Series 500 Oper. Freq: 908.4/916MHz
FCC ID: EF400139 IC: 1078A-00139
Input: 125 VAC, 60 Hz
Output: MAX LOAD 300W (2.5A)
FOR INDOOR USE ONLY
S/N:

Covered by one or more
claims of patents:
<http://sipcollc.com/patent-list/>
and
<http://intusiq.com/patent-list/>.



Intertek Appliance Control
306 1503
Conforms to: UL498A, UL60730-1

LABEL, FCC/SERIAL NO, DIMMER, PLUGZ
LINEAR P/N: 10010276 X11
PROCESS: TO BE MARKED WITH LASER
SERIAL NUMBER FONT: AERIAL NARROW (2.5mm) 7pt
FIXED TEXT "S/N:"
SERIAL NUMBER: YYDDDMXXXXX SEE 10009912 FOR FORMAT
SERIAL NUMBER SHALL BE UNIQUE FOR EACH UNIT PRODUCED.
SERIAL NUMBER TO BE CORRELATED TO PRODUCT BUILD DOCUMENTATION
AND MAINTAINED IN PRODUCT HISTORY DATABASE.
BUILD DATABASE TO INCLUDE INFORMATION RECORDED
PER PRODUCT TEST PROCEDURE.
TOLERANCE: $\pm .020$ "
LASER COLOR: PANTONE PMS GRAY 8 C
SCALE: 1-1
NOTE: FOR MECHANICAL DETAILS SEE DRAWING 10009625 AND IMAGE FOR
ARTWORK PLACEMENT.

4

3

2

1

NOTES: (UNLESS OTHERWISE SPECIFIED)

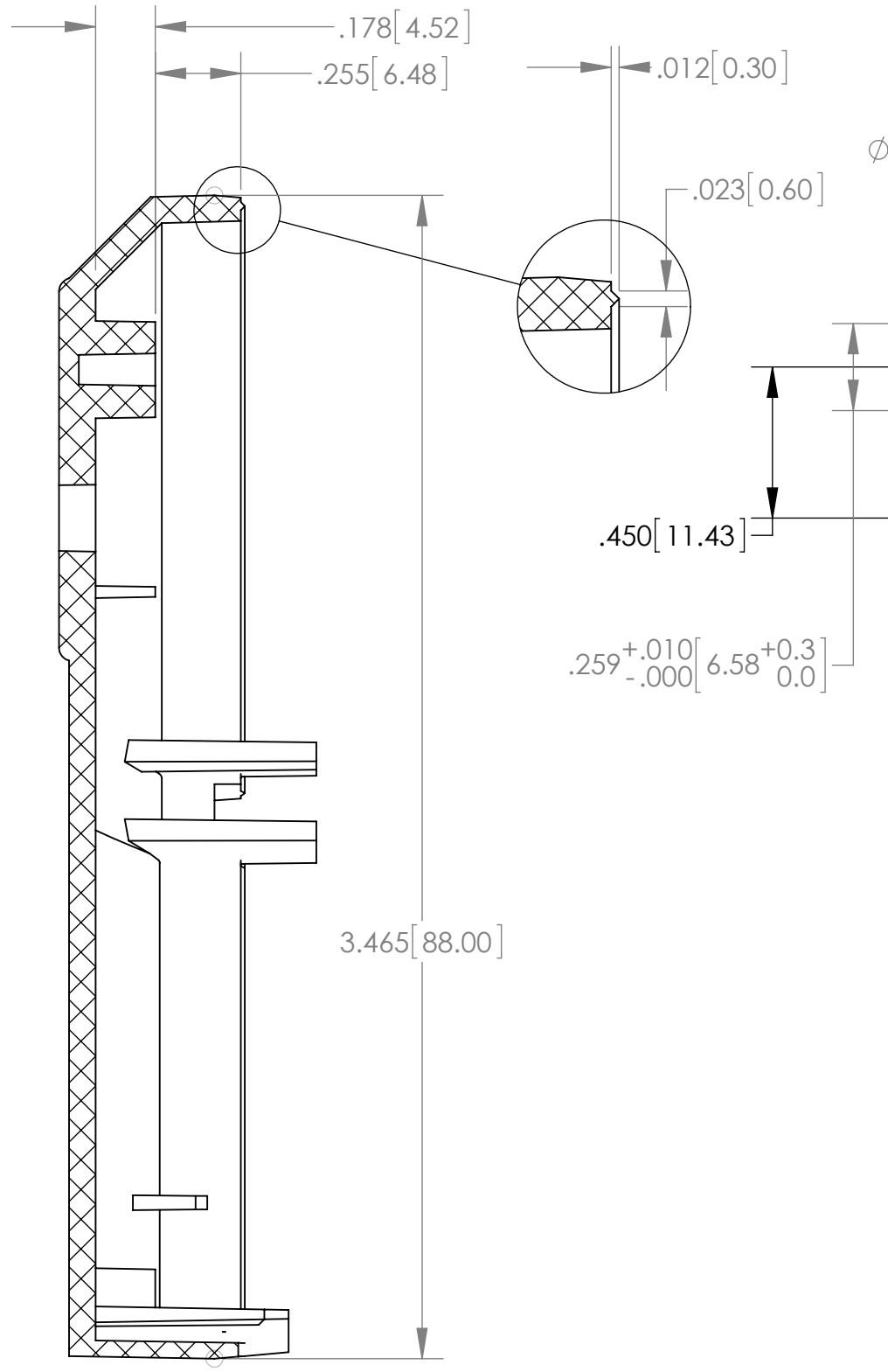
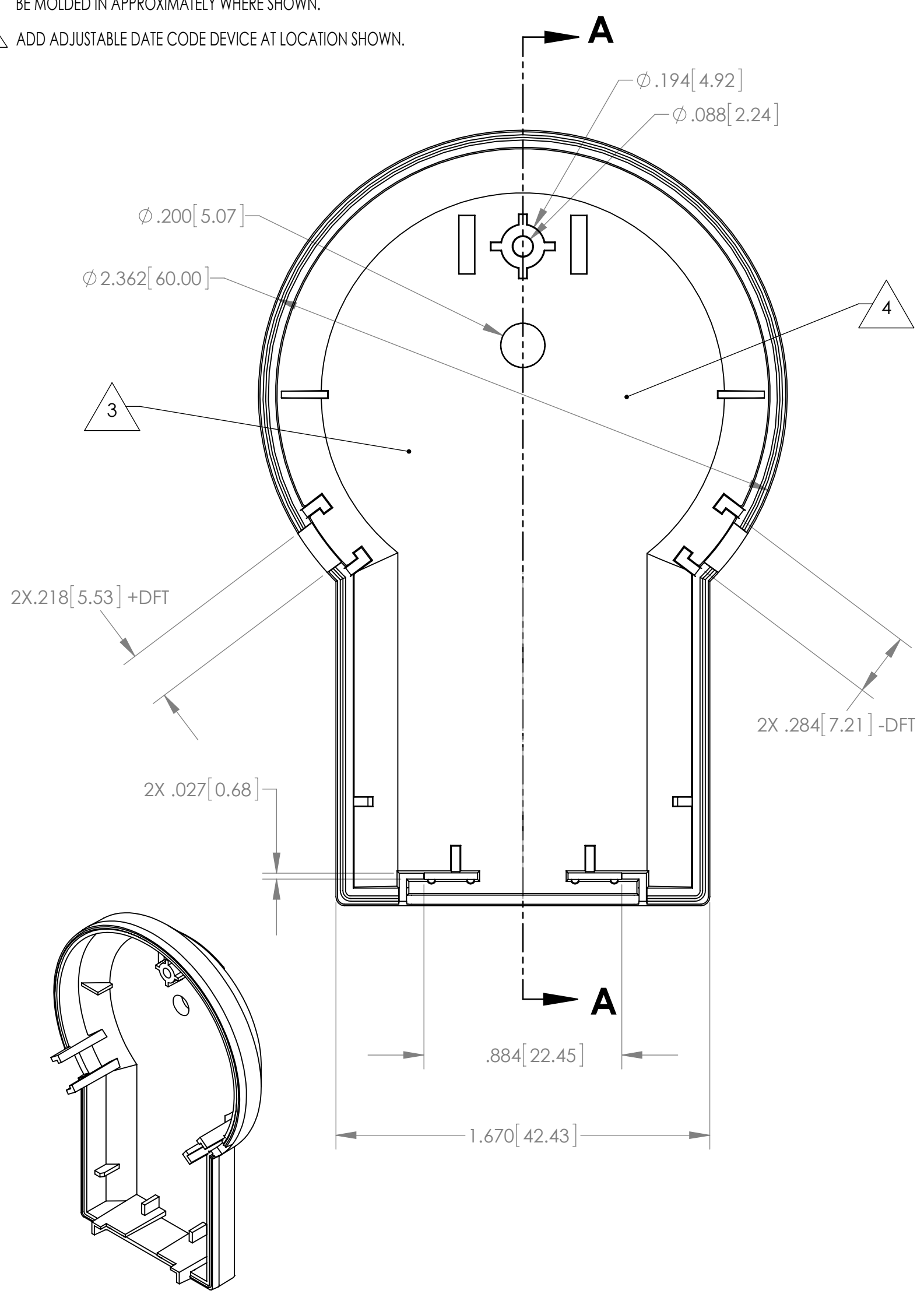
- 1 MATERIAL: SABIC CYCOLOY C2800 (PC+ABS)
COLOR: WHITE
COLORIMETER MEASUREMENTS, L: 91.71, a: -0.92, b: -1.75
COLOR TOLERANCE: ±1.5 DELTA E
UL FLAMMABILITY RATING V-0
- 2 FINISH: SPI-A2 EXTERIOR.
- 3 PART NUMBER, CAVITY ID AND MANUFACTURING DATE TO BE MOLDED IN APPROXIMATELY WHERE SHOWN.
- 4 ADD ADJUSTABLE DATE CODE DEVICE AT LOCATION SHOWN.

- 5 REMOVE ALL GATE REMNANTS, BURRS, AND FLASH.
- 6 EJECTOR PIN MARKS TO BE FLUSH TO .010 [.25] BELOW SURFACE OF PART.
- 7 MAXIMUM PARTING LINE MISMATCH .005 [.13].
- 8 PART TO BE ROHS COMPLIANT.
- 9 USE NORTEK PROVIDED ARTWORK 10010276 XX.

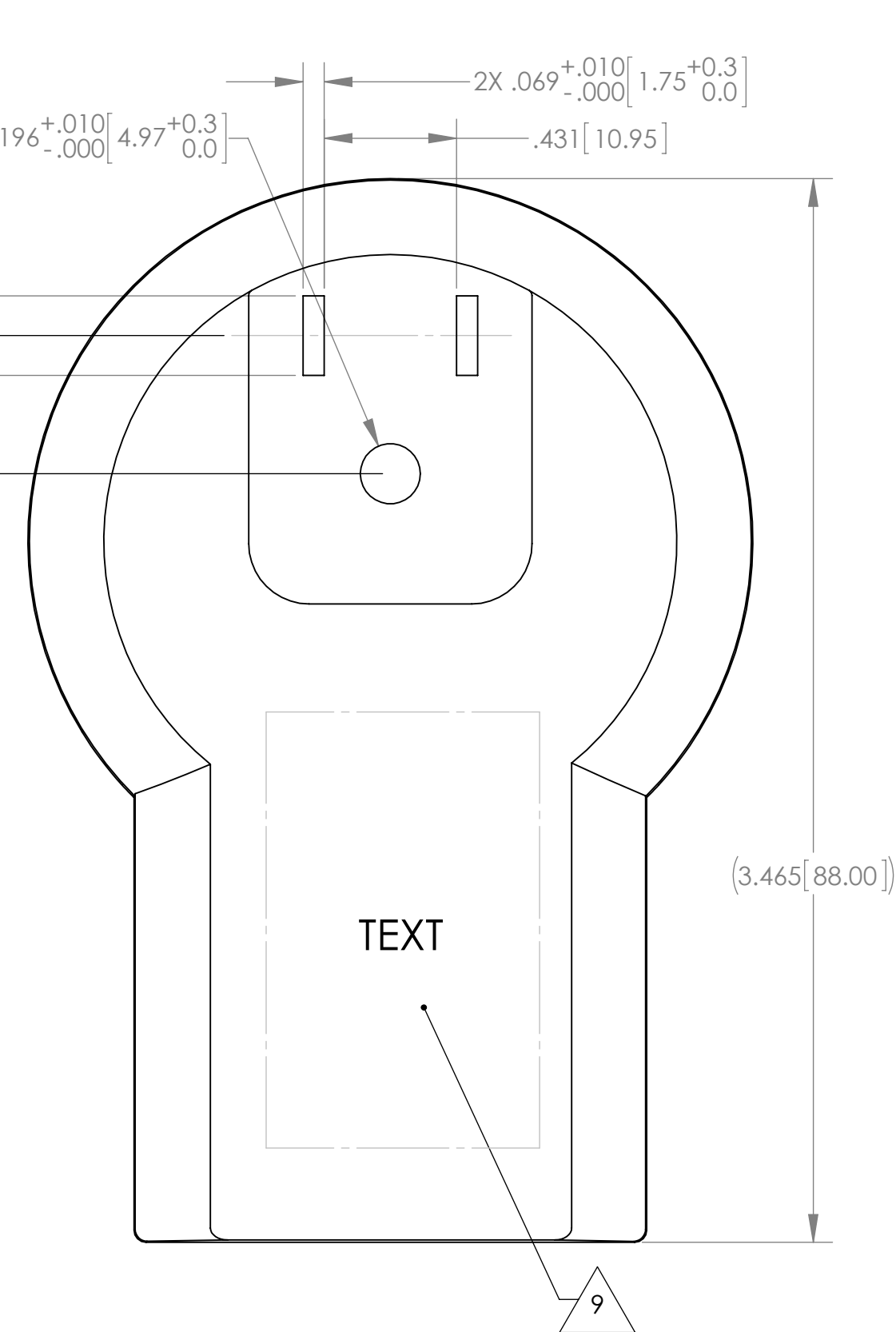
REVISIONS			
REV	DESCRIPTION	DATE	APPROVED
X2	INITIAL RELEASE		
X3	UPDATE COLOR / AC REC AREA MTL TO MATCH FRONT	11/17/15	
X4	DUE TO ELECTR. CHANGES; SMALLER SCREW & RE-CENTER BOSS	12/7	
X5	UPDATE PER LES INPUT		
X6	REMOVE STEP ON SCREW BOSS, ADD ARTWORK		

D
C
B
A

D
C
B
A



SECTION A-A



BACK VIEW

UNLESS OTHERWISE NOTED ALL DIMENSIONS ARE INCHES [MM]:	
TOLERANCES: DECIMALS .XX±.01 [.3] .XXX±.005 [.13]	ANGLES: ± 0.5° ROUNDNESS: ±.005 [.13] FLATNESS: ±.005 [.13] CONCENTRICITY: ±.005 [.13]
MATERIAL: NOTED	
FINISH: NOTED	
DO NOT SCALE DRAWING	

PROJECT:	
CAD OPERATOR: S. TRIMBLE	DATE 11/16/2015
CHECKED:	DATE
APPROVED:	DATE
APPROVED:	DATE
APPROVED:	DATE
APPROVED:	DATE

NORTEK
SECURITY & CONTROL

TITLE:
CASE, BACK, DIMMER, PLUGZ

SIZE: **C**

DRAWING NO.: 10009625

REV.: X6

SCALE: 2:1

SHEET: 1 OF 1

THE INFORMATION CONTAINED IN THIS DRAWING IS THE SOLE PROPERTY OF NORTEK SECURITY & CONTROL. ANY REPRODUCTION IN PART OR AS A WHOLE WITHOUT WRITTEN PERMISSION OF NORTEK SECURITY & CONTROL IS PROHIBITED.

4

3

2

1