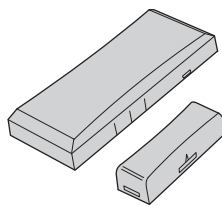


TTLDWO01 TTLDWC01

UNIVERSAL DOOR/WINDOW TRANSMITTERS

Installation Instructions



PRODUCT DESCRIPTION

The TTLDWO01 and TTLDWC01 are battery powered supervised stationary transmitters. These transmitters can be used in a variety of wireless security and remote sensing applications. Triggering the transmitter with its built-in magnetic switch sends a digitally coded wireless signal to the alarm control.

Both models have an optional external input that can be triggered by dry contact devices. The Model TTLDWC01 connects to normally closed (N/C) devices. The Model TTLDWO01 connects to normally open (N/O) devices. The transmitter is programmed using Configuration Mode to select the internal magnetic switch only, the external contact input only, or both.

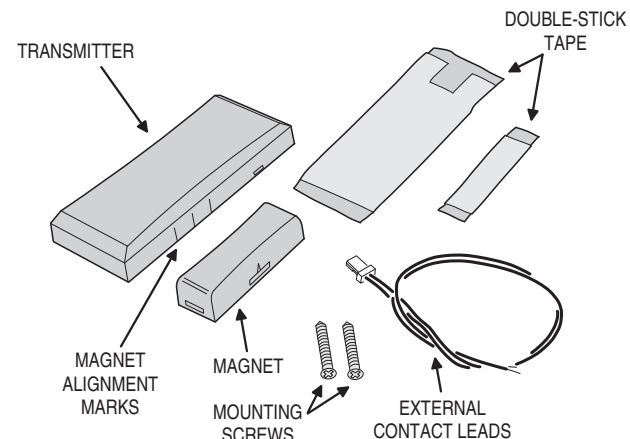
The transmitter can send five different signal types: fault, restore, low battery, tamper, and status. The system must be programmed to the transmitter's code before testing and operation. Refer to the alarm control's instructions for details on programming.

In a typical installation, the magnet is mounted on a door or window and the transmitter is mounted on the frame. When the door or window is opened, the magnet moves away from the transmitter and a **fault** signal is sent. When the door or window is closed, the magnet returns next to the transmitter and a **restore** signal is sent.

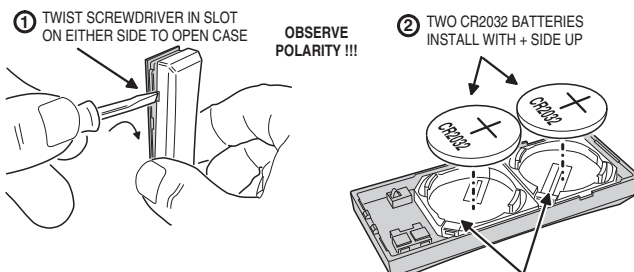
About every 65 minutes the transmitter sends a supervisory **status** signal to update the system. If the battery tests low, a **low battery** signal is included with any transmission. The transmitter is powered from two 3-Volt CR2032 lithium batteries (included).

An internal switch detects if the transmitter's case is opened. Opening the case will send a **tamper** signal. Two screws and double-stick tape are provided for mounting the transmitter.

FEATURES



BATTERY INSTALLATION OR REPLACEMENT



NOTICE TO USERS IN CALIFORNIA - CR COIN CELL LITHIUM BATTERY INFORMATION: THIS PRODUCT CONTAINS A CR COIN CELL LITHIUM BATTERY WHICH CONTAINS PERCHLORATE MATERIAL - SPECIAL HANDLING MAY APPLY - SEE www.dtsc.ca.gov/hazardouswaste/perchlorate

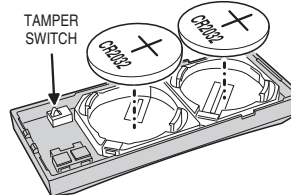
KEEP AWAY FROM SMALL CHILDREN. IF BATTERIES ARE SWALLOWED, PROMPTLY SEE A DOCTOR. DO NOT TRY TO RECHARGE THESE BATTERIES. DISPOSAL OF USED BATTERIES MUST BE MADE IN ACCORDANCE WITH THE WASTE RECOVERY AND RECYCLING REGULATIONS IN YOUR AREA.

INPUT CONFIGURATION MODE

CONFIGURATION MODE SELECTS IF THE TRANSMITTER USES THE INTERNAL MAGNETIC SWITCH ONLY, THE EXTERNAL CONTACT INPUT ONLY, OR BOTH

TO ENTER CONFIGURATION MODE:

- 1 PRESS AND HOLD THE TAMPER SWITCH
- 2 INSTALL THE BATTERIES, RELEASE THE TAMPER SWITCH, CONFIGURATION MODE WILL LAST FOR 15 SECONDS

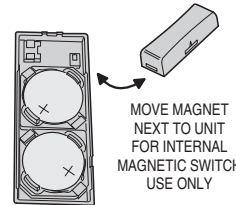


WHILE IN CONFIGURATION MODE:

TO SELECT EXTERNAL CONTACT ONLY:
 BE SURE MAGNET IS AWAY FROM TRANSMITTER AND EXTERNAL CONTACT INPUT IS DISCONNECTED

TO SELECT EXTERNAL CONTACT & INTERNAL SWITCH:
 BE SURE MAGNET IS AWAY FROM TRANSMITTER, CONNECT EXTERNAL CONTACT INPUT WIRES TOGETHER FOR A MINIMUM OF ONE SECOND

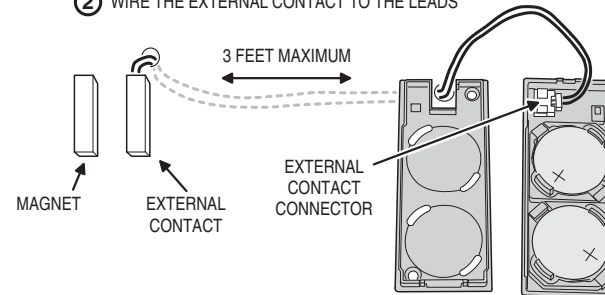
TO SELECT INTERNAL MAGNETIC SWITCH ONLY:
 BE SURE THE EXTERNAL INPUT IS DISCONNECTED, MOVE MAGNET NEXT TO TRANSMITTER (BY THE TAMPER SWITCH) FOR A MINIMUM OF ONE SECOND



OPTIONAL EXTERNAL CONTACT

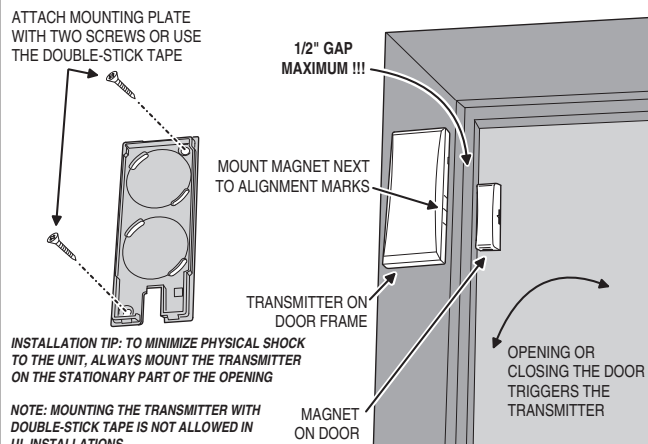
AN EXTERNAL CONTACT CAN BE CONNECTED TO THE TRANSMITTER

- 1 PLUG THE EXTERNAL CONTACT LEADS INTO THE TRANSMITTER'S EXTERNAL CONTACT CONNECTOR
- 2 WIRE THE EXTERNAL CONTACT TO THE LEADS

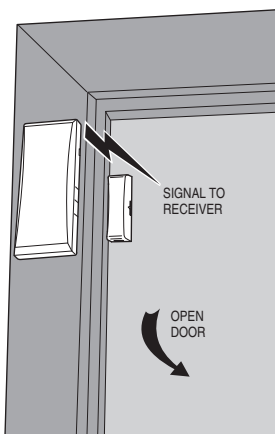


FOR MODEL TTLDWC01 USE NORMALLY CLOSED CONTACTS
 FOR MODEL TTLDWO01 USE NORMALLY OPEN CONTACTS

TRANSMITTER MOUNTING



PROGRAMMING & TESTING



- 1 REFER TO THE SYSTEM'S INSTRUCTIONS AND PLACE THE ALARM CONTROL IN PROGRAM MODE
- 2 OPEN OR CLOSE THE PROTECTED DOOR TO SEND A SIGNAL
- 3 VERIFY THAT THE TRANSMITTER HAS BEEN "LEARNED" BY THE ALARM CONTROL
- 4 TEST THE SYSTEM TO VERIFY PROPER OPERATION, CHECK THAT THE SYSTEM INDICATES WHEN THE DOOR IS OPEN OR CLOSED

TATTLETALE PORTABLE ALARM SYSTEMS LIMITED WARRANTY

This TATTLETALE PORTABLE ALARM SYSTEMS product is warranted against defects in material and workmanship for a period of one year. This warranty does not apply in cases of improper installation, misuse, failure to follow installation and operating instructions, alteration, abuse, accident or tampering, or repair by anyone other than tattletale. This warranty does not cover the replacement of batteries that are used to power the product. There are no obligations or liabilities on the part of TATTLETALE PORTABLE ALARM SYSTEMS for consequential damages arising out of or in connection with use or performance of this product or other indirect damages with respect to loss of property, revenue, or profit, or cost of removal, installation or reinstallation. All implied warranties, including implied warranties for merchantability and implied warranties for fitness, are valid only until the warranty expires. This TATTLETALE PORTABLE ALARM SYSTEMS Warranty is in lieu of all other warranties express or implied.

All products returned for warranty service require a Return Merchandise Authorization Number (RMA#). Contact TATTLETALE Technical Support at 1-888-835-5668 or at www.tattletale.com for an RMA # and other important details.

This device complies with FCC Part 15 and Canada Rules and Regulations. Operation is subject to the following two conditions: (1) This device may not cause harmful interference and (2) this device must accept any interference received, including interference that may cause undesired operation.

Conformité Réglementaire

Ce dispositif est conforme à la réglementation de la IC et (Partie 15) de la FCC. Son fonctionnement est soumis à deux conditions: (1) ce dispositif ne doit pas causer d'interférences nuisibles, et (2) ce dispositif doit accepter toute interférence reçue, y compris les interférences pouvant entraîner des conditions de fonctionnement indésirables.

Changes or modifications to the device may void FCC compliance

Les modifications apportées à l'appareil peuvent annuler la conformité FCC.