



Specification of CHIP DIELECTRIC ANTENNA
 SPEC No. :NAN68-PC0332F
 Part Number :ANCW12G45SAA117TT1/RD3

Written by S. Ito
 Checked by Y. Kushihi
 Date 19/Mar./2003

***: TT1: Bulk package / RD3: 3000pcs/reel

A>: Rev. by J.K on 5th/Dec/'03, B>: Rev. by R.I. on 8/Sep./04, C>: Rev. by R.I. on 30/Nov./04, D>: Rev. by R.I. on 1/Dec./04
 E>: Rev. by R.I. on 24/Dec./04, F>: Rev. by E.M. on 19/Jan./05

1. Electrical Characteristics

A>

Operation Temp	-40 to +85 degree C
Polarization	Linear
Frequency (Fo)	2450MHz.
Band Width (BW)	F0 +/- 50MHz.
V.S.W.R at BW	2.5 max.
Impedance	50 Ω

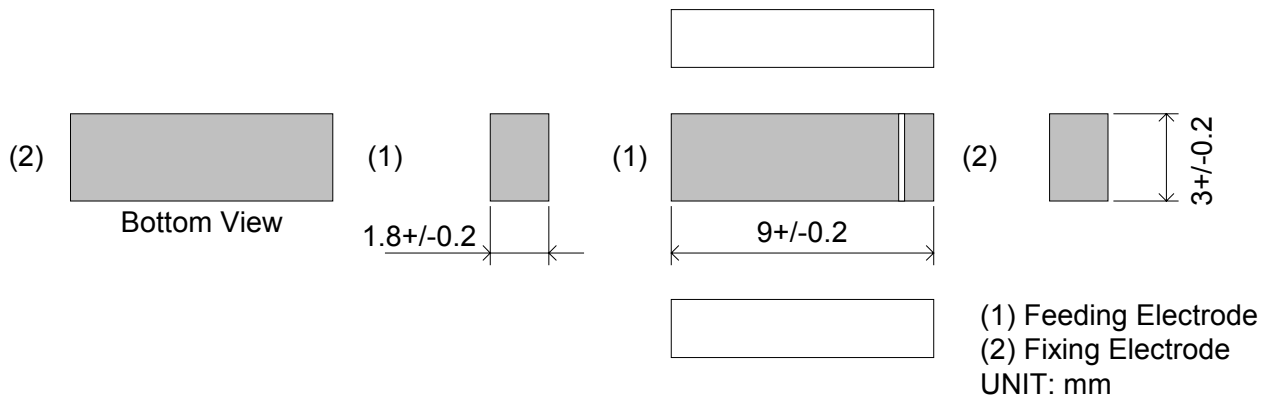
Note 1: This electrical characteristics are influenced by the land pattern, PCB size, case and so on.

Note 2: This electrical characteristics are guaranteed with our standard measurement conditon which is used our standard land pattern and PCB in Section 2.2 and 2.3.

2. Mechanical

2.1.Dimensions

A>B>F>



A>C> Matching Circuit

Application	2.4GHz W-LAN / BT	PHS
Matching Circuit		
Frequency (Fo)	2425MHz.	1913MHz
Band Width (BW)	225MHz (VSWR < 3)	100MHz (VSWR < 3)

Note 1: This electrical characteristics are guaranteed with our standard measurement conditon which is used our standard land pattern and PCB in Section 2.2 and 2.3.

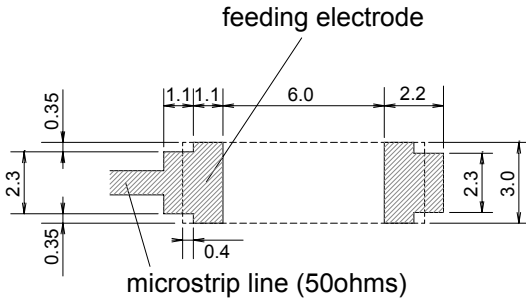
Preliminary Specification of CHIP DIELECTRIC ANTENNA
 Preliminary SPEC No. :NAN68-PC0332F
 Part Number :ANCW12G45SAA117TT1/RD3

Written by S. Ito
 Checked by Y. Kushihi
 Date 19/Mar./2003

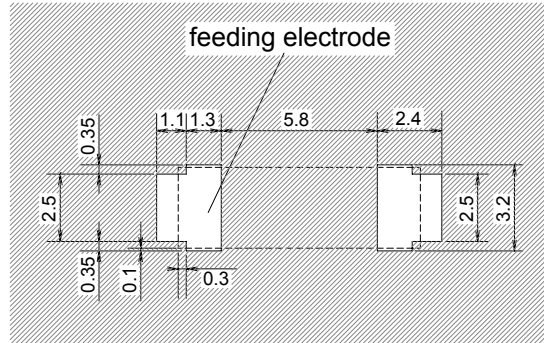
***: TT1: Bulk package / RD3: 3000pcs/reel

A>: Rev. by J.K on 5th/Dec/'03, B>: Rev. by R.I. on 8/Sep./04, C>: Rev. by R.I. on 30/Nov./04, D>: Rev. by R.I. on 1/Dec./04
 E>: Rev. by R.I. on 24/Dec./04, F>: Rev. by E.M. on 19/Jan./05

2.2. Standard lands pattern and resist pattern
 A>



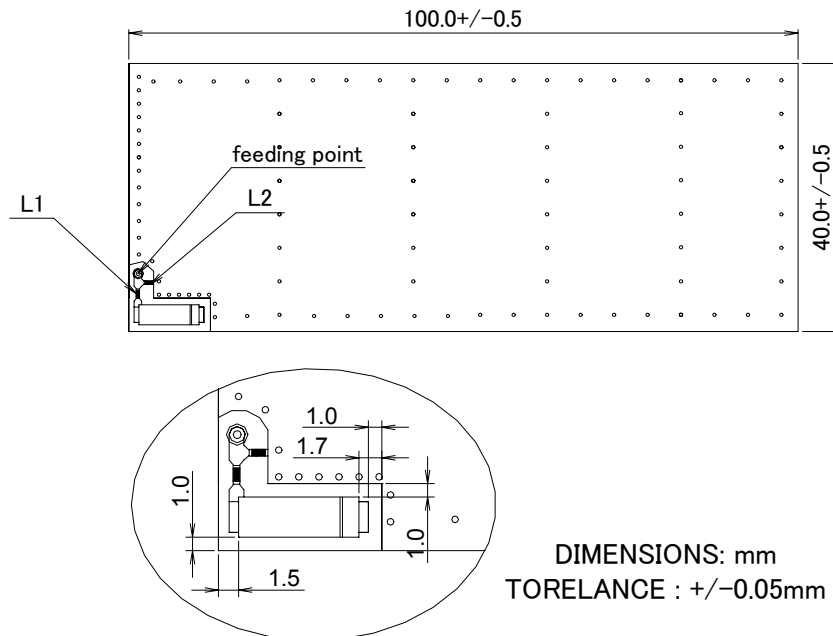
recommended land pattern of PCB



recommended solder-resist pattern

DIMENSIONS : mm
 TOLERANCE : +/-0.05mm

2.3. Standard PCB
 A>F>



Substrate : FR-4 (Both Printed)
 Thickness : 1.0mm (Thickness of copper isb 0.035mm)