



FCC
Federal Communications Commission,
To whom it may concern

10 March 2005

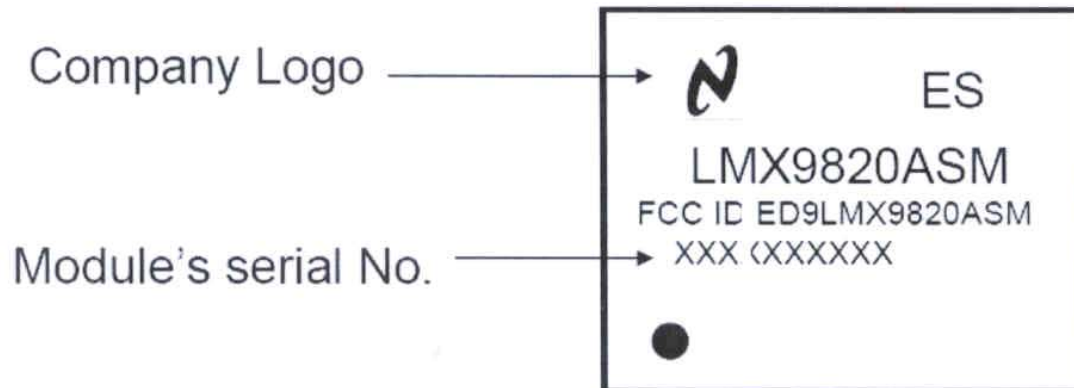
We, National Semiconductor Corp. DCD Group
10105 Pacific Heights Blvd. Suite 100, San Diego CA 92121 ,

hereby declare,

That Bluetooth module LMX9820A's FCC ID is

ED9LMX9820ASM

The FCC ID will be placed on top of the product as below.
Example:



if the module is installed inside another device, then the outside of the device into which the module is installed must displayed a label referring to the enclosed module. This exterior label can use wording such as the following:

"Contains Transmitter Module LMX9820A FCC ID ED9LMX9820ASM"

relevant information present in appropriate part of the product user manual.

Yours sincerely,

National Semiconductor Corp. DCD Group

peter zhang