



FCC  
Federal Communications Commission,  
To whom it may concern  
15 June 2006

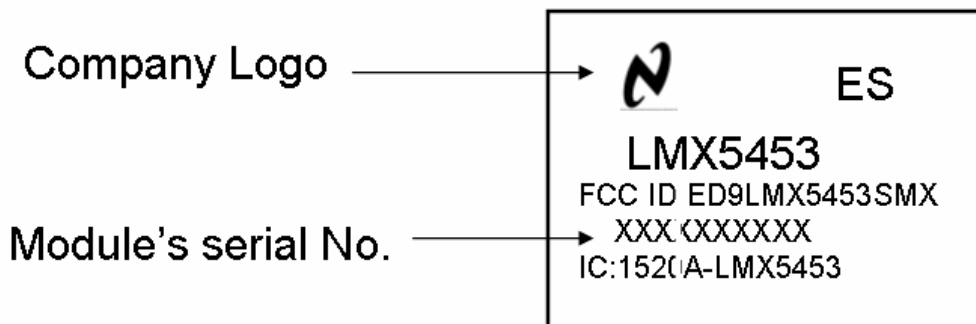
We, National Semiconductor Corp. DCD Group  
10105 Pacific Heights Blvd. Suite 100, San Diego CA 92121 ,  
hereby declare,  
That Bluetooth module LMX5453 USB Adapter's FCC ID is  
**ED9LMX5453SMX**  
The FCC ID will be placed on top of the module LMX5453 as below.  
Example:

## National Semiconductor Corp.

### Module Logo Drawing

IUT name: LMX5453 USB Adapter

FCC ID : ED9LMX5453SMX



if the module is installed inside another device, then the outside of the device into which the module is installed must display a label referring to the enclosed module. This exterior label can use wording such as the following:

**“Contains Transmitter Module LMX5453SMX FCC ID ED9LMX5453SMX”**

relevant information present in appropriate part of the product user manual.

Yours sincerely,

National Semiconductor Corp. DCD Group

peter zhang