

MOBILE ANTENNA SPECIFICATIONS

MODEL #400
(Suction – Cup Antenna)

ELECTRICAL ITEM	SPECIFICATIONS	REMARKS
Type of antenna	Whip antenna	
Frequency range	902 –928 MHz	Center Freq.: 915 MHz
Nominal Impedance	50 Ohms	
Polarization	Vertical	
V.S.W.R.	Less than 1.5	Frequency range
GAIN	2 dBi	

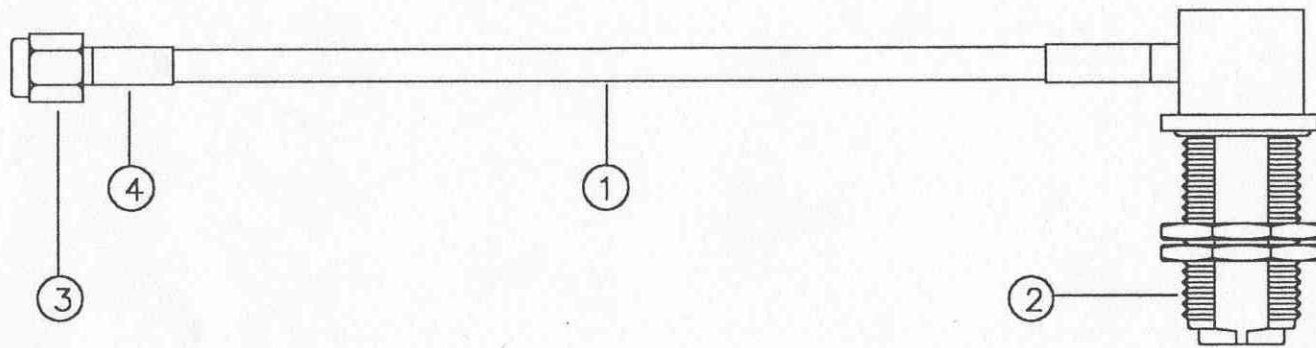
Manufacturer: Hankook Antenna Co. Ltd.

STATION MODEM ANTENNA SPECIFICATIONS

ANTENNA MODEL: KE-900-GP		
ELECTRICAL DATA	SPECIFICATIONS	
TYPE OF ANTENNA	WHIP ANTENNA	
FREQUENCY RANGE	TX	898 – 900 MHz
	RX	938 – 940 MHz
NOMINAL IMPEDANCE (Ohms)	50	
ELECTRICAL LENGTH	$5/8 \lambda \times 3$	
RADIATION PATTERN	OMNI-DIRECTIONAL	
POLARIZATION	VERTICAL	
V.S.W.R.	Less than 1:1.7	
GAIN (dB)	7.5	
CONNECTOR	N Type Connector	

Manufacturer: KEOSAN Electric Co.

DATE 2000.10.26.



* 주의사항

1. 과납, 냉땀 없을것.
2. TUBE 미수축 없을것.
3. 심 부위흡집 주의.

PAGE REV A PAGE /

4	SHRINK TUBE	ø 5 BLACK	40mm	2	SUMI TUBE
3	CONNECTOR	SMA(M)S/T	-	1	SD
2	CONNECTOR	N(F)R/A B/H	-	1	SD
1	CABLE	RG 58	5 M	1	MICRO COAX
NO	DESCRIPTION	PART NAME	SPEC'	Q'TY	REMARK

MARK	REVISION	DATE	Q'TY
△			
△			
△			
△			
△			
△			

NOTE
* 일반공차 : ±1%

CUSTOMER :
M.S.S.K

TITLE :
N(F)R/A-SMA(M) RG58 CBL ASS'Y

PART NO.

SPECIFICATION :

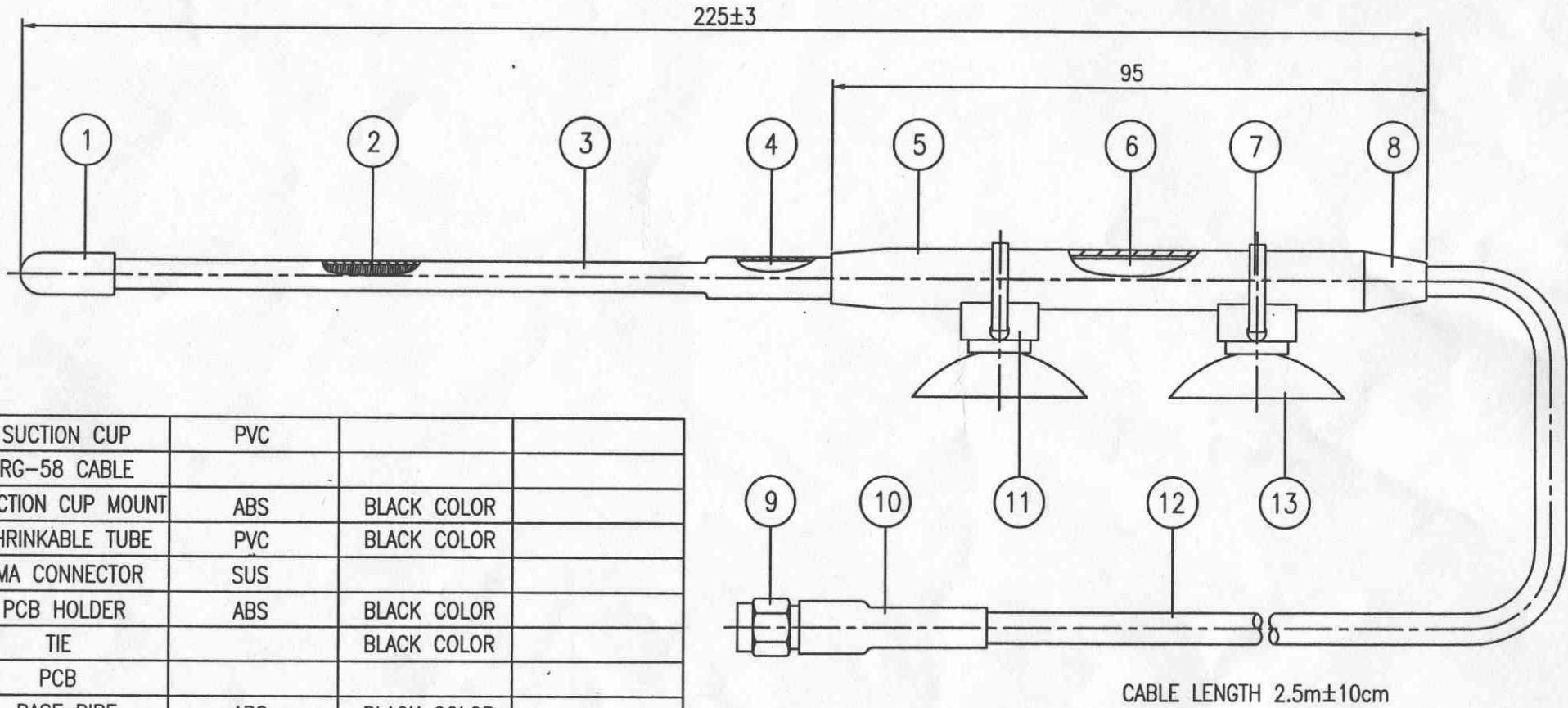
DWG NO.
UNIT. mm
SCALE. N/S

DRAW. **CHECK.** **APVD.**

 **SAM DOO**
INDUSTRIAL CO., LTD

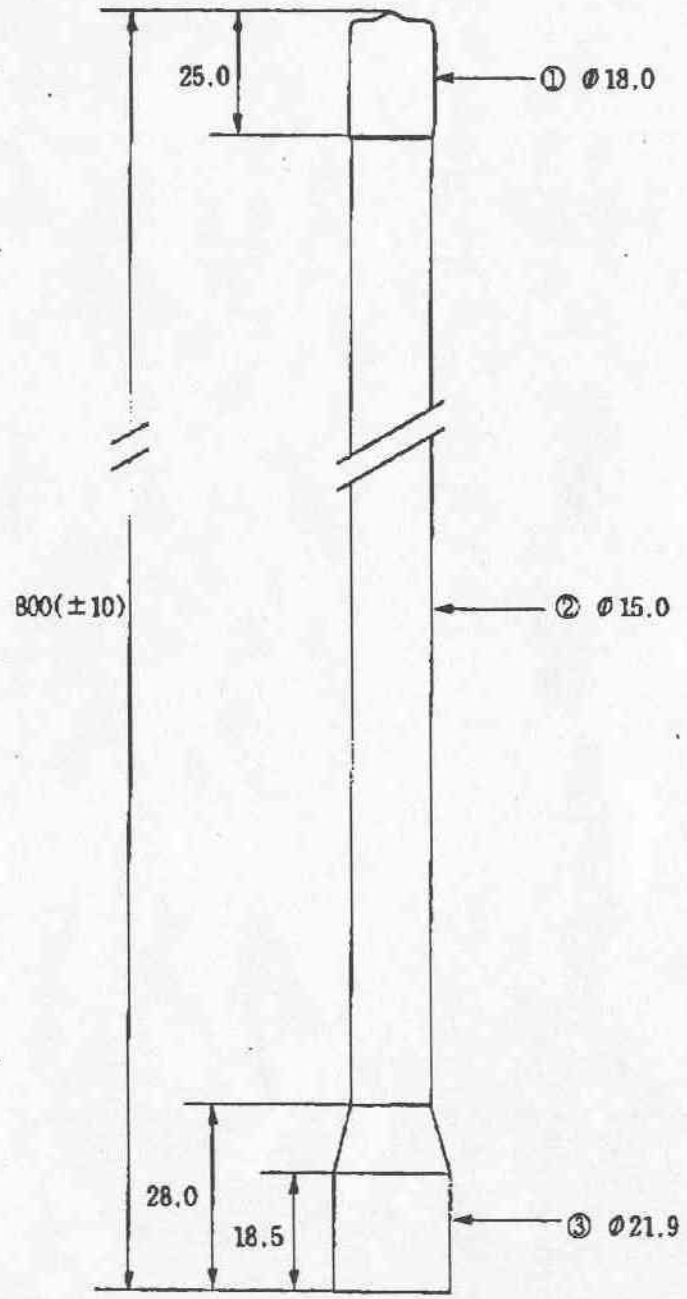
개발
3팀

REV. NO.	DESCRIPTION	DATE
1		
2		
3		
4		



13	SUCTION CUP	PVC		
12	RG-58 CABLE			
11	SUCTION CUP MOUNT	ABS	BLACK COLOR	
10	SHRINKABLE TUBE	PVC	BLACK COLOR	
9	SMA CONNECTOR	SUS		
8	PCB HOLDER	ABS	BLACK COLOR	
7	TIE		BLACK COLOR	
6	PCB			
5	BASE PIPE	ABS	BLACK COLOR	
4	ELEMENT HOLDER	Bs		
3	SLEEVE	SHRINKABLE TUBE	BLACK COLOR	
2	ELEMENT	SPEEDO WIRE		
1	CAP	PVC	BLACK COLOR	
NO.	PARTS NAME	MATERIAL	FINISH	CODE NO.

NOTE	TOL. UNLESS NOTED		UNIT	TITLE	#400
	X	X.X	mm		
	± 1	± 0.5	1 / 1		
DRAWN	M. Y. KIM	CHECKED	FILE NAME	ORDER CO.	
REV. NO.	0	APPROVED	DATE	DWG. NO.	#400



KEOSAN
Electronic Co.

APPROVE	
CHECK	
DESIGN	
DRAW	Y.S.Seong
DATE	97.Sep.08.

TITLE
KE-900-GP Antenna

DRAWING NUMBER
INT-KS-110

FILE NAME
INT-03

-Dimension:m/m
-허용공차
X = 0.5
X.X = 0.1
X.XX = 0.05

NO	PART NAME	MATERIAL	FINISH
①	Cap	Dipping	Black Color
②	Cover	FRP	Black Color
③	N*(M) Connector	MBsBD	White Color