



MOTOROLA

*Integrated Information Systems Group
8201 E. McDowell Road
Scottsdale, AZ 85252-1417*

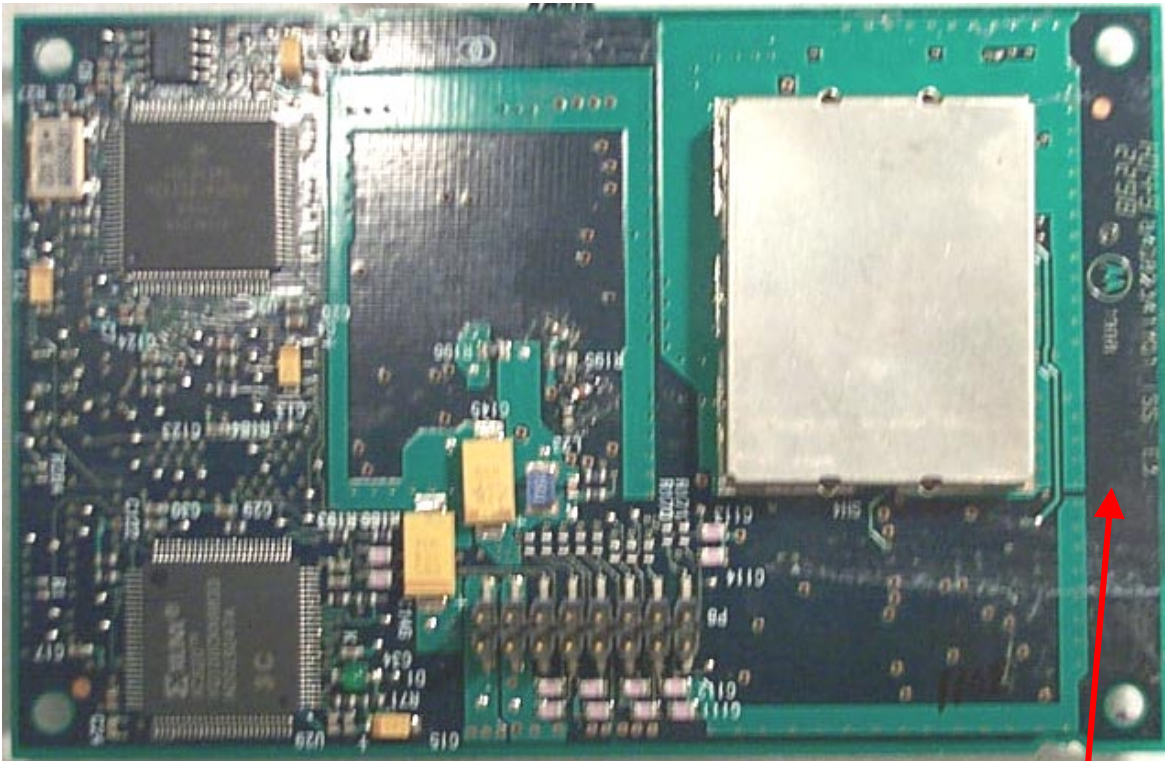
Exhibit 1 – ID Label Information

Parallel Card Acceptance Device (CAD)

FCC ID: E9U6188

Model No. T6188A (Parallel)

1.0 Identification (Nameplate) Information



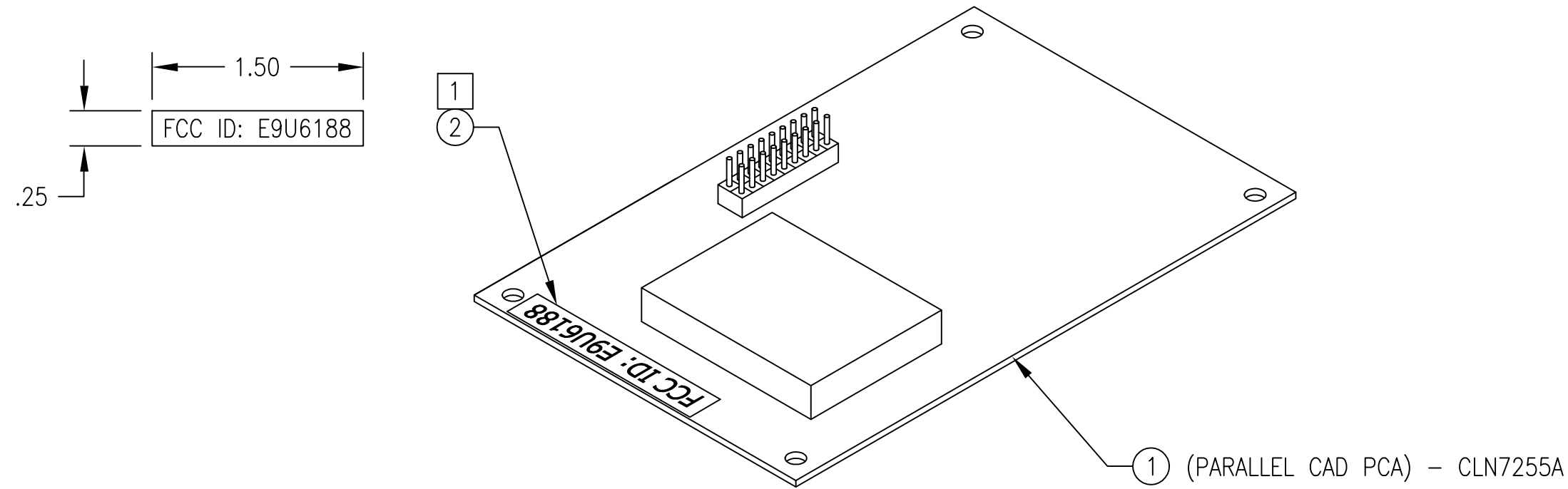
FCC ID to be
inscribed directly

Figure 1.0-1 FCC Certification Identification

| ECO NUMBER | REVISION | DRAFTER | DESCRIPTION OF CHANGE/RELEASE | DATE | APPROVAL |
|------------|----------|---------|-------------------------------|---------|----------|
| --- | 01 | | | | |
| | 02 | SMM | UPDATE LABEL | 5/23/00 | SMM |

NOTES: UNLESS OTHERWISE SPECIFIED.

1 MATERIAL: POLYIMIDE



| | | | | | |
|--|--|--|---------------------------------------|--------------------|--|
| <small>UNLESS OTHERWISE SPECIFIED, DIMENSIONS ARE: INCH[MM]</small> .XX ± .01[.254] .XXX ± .005[.127] ± ✓ | <small>INTERPRET ALL DIMENSIONS PER ANSI Y14.5M-1982</small> DO NOT SCALE DRAWING DUE TO PLOTTER/COPIER | <small>THIS DRAWING AND THE CONFIDENTIAL AND TRADE SECRET INFORMATION SET FORTH HEREIN ARE THE SOLE PROPERTY OF MOTOROLA/INDALA, SAN JOSE, CALIFORNIA. PUBLICATION, DUPLICATION, OR USE NOT EXPRESSLY AUTHORIZED IN WRITING BY MOTOROLA/INDALA IS STRICTLY PROHIBITED.</small> | MOTOROLA Indala Corporation | | 3041 ORCHARD PARKWAY SAN JOSE, CALIF. 95134 ph: (408) 383-4000 fx: (408) 383-4088 |
| | | | TITLE: FCC ID PLACEMENT | | DWG SIZE: B |
| MATERIAL: | | IF CAD GENERATED, DO NOT CHANGE VELLUM WITHOUT CHANGING THE DATABASE! | | DFTR: S. MORSE | DATE: 5/16/00 |
| COATING: | | CHKR: | DATE: | PROJ. ENGR: | DATE: |
| | | ENGR MGR: | DATE: | SCALE FACTOR: NONE | FILE NAME: FCC_ID_02 |
| | | | | SHEET: 1 of 1 | |