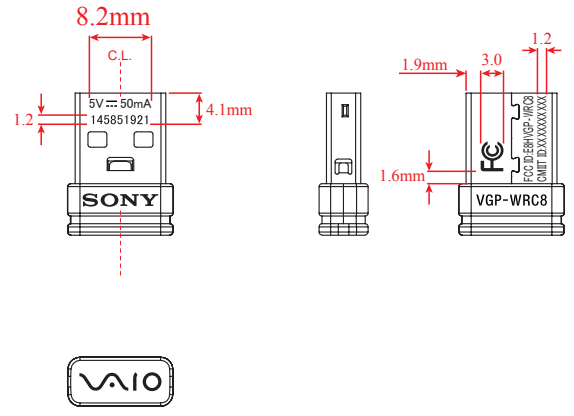


A	B	C	D	E
REV LTR	DATE	REV. DESC.		DESIGN APPROVE
①				
②				



**NOTES:**

1. LASER PRINT
2. ALL TOLERANCE  $\pm 0.2mm$
3. DRAWING FOR ONLY PROVIDE PRINT A REFERENCE
4. SPECIFICATION NEED TO PASS CUSTOMER TO APPROVE.
5. THIS PRODUCT / COMPONENT MUST COMPLY WITH CHICONY SPECIFICATION " ISO 361 "

<b>RG-1130</b>				<b>OEM</b>	
MODEL NO.		PART NO.		REMARK	
CHICONY ELECTRONICS SP.,LTD			MAT.: NOTES		<b>MODEL NO.: RG-1130</b>
APPROVED	CHECKED	DESIGNED	SPEC: NOTES		
Great	Tommy	<i>Sharon</i>	FINISH: NOTES		NAME: SHIELD,USB SNGL,W/LASER "ICON(US,CHINA)"
			TOL:	Q'TY	
12/14-'11	12/14-'11	12/14-'11	SCALE: 1:1	UNIT: MM	DWG NO.: 1130L
A	B	C	D	E	