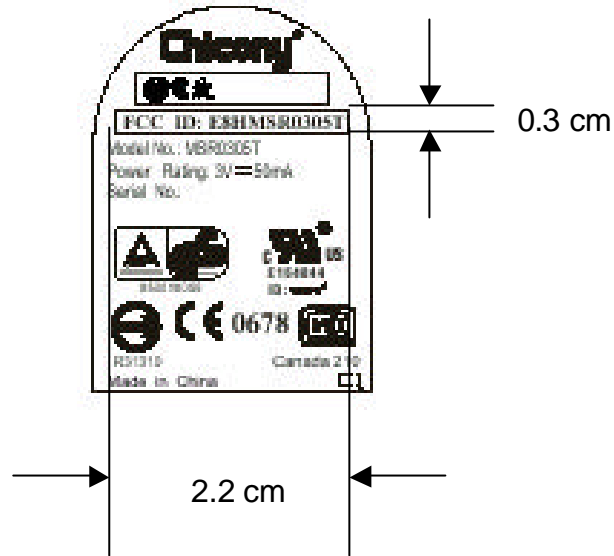


-- FCC ID label --



The remained portion of label statement required by FCC is attached in the user' s manual.

■ Location of Label on EUT --

