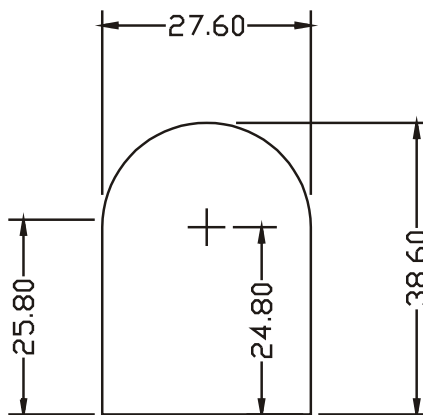


| | | | | | |
|---|---------|------|-----------------|--------|---------|
| | A | B | C | D | E |
| 1 | REV LTR | DATE | REV . DIMENSION | DESIGN | APPROVE |
| | △A | | | | |
| | △B | | | | |



CET → CET
CEM 2 → CEM2
CEM 3 → CEM3

VENDER UL MARK.



NOTES:

REFERENCE ONLY

- 1.MATERIAL: SYNTHETIC PAPER t=0.15mm (WITH GLUE)
(UL/CSA APPROVED)
- 2.BACKGROUND COLOR: WHITE
- 3.CHARACTER COLOR: PANTONE Process Black C
- 4.FINISHED: ADHESIVE.
- 5.LABEL VENDOR HAS TO BE APPRD. BY UL/CSA.

| | | | | | |
|---|--------------------------------|------------|---------------|-------------------|-----------------------------|
| | | | | | |
| | MR-0350TR | 253TR0350- | CHICONY | | |
| | MODEL NO. | PART NO. | REMARK | | |
| | CHICONY ELECTRONICS CO.,LTD | | MAT.: NOTES | MODEL NO.: | |
| | APPROVED | CHECKED | SPEC: NOTES | MR-0350TR | |
| 7 | | TAMMY | FINISH: NOTES | NAME: (FOR MOUSE) | |
| | | | TOL: | Q'TY | SIZE: A4 |
| | | 11/06-'03 | SCALE: 1 : 1 | UNIT: MM | DWG NO.:0350TR-FCC REV: X 0 |

A B C D E