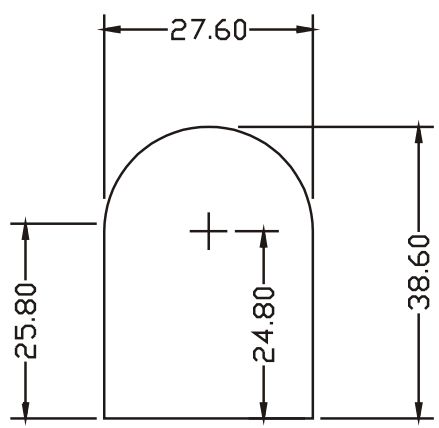
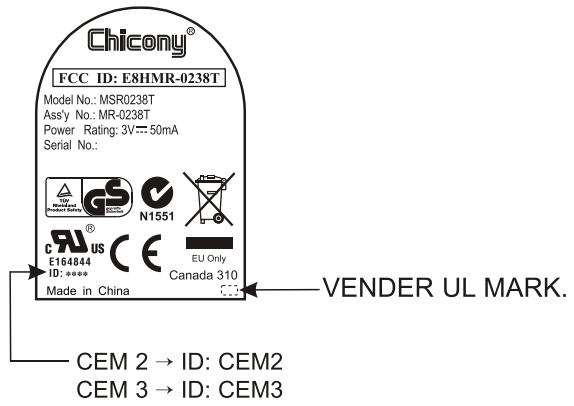


	A	B	C	D	E
1	REV LTR	DATE	REV . DIMENSION		DESIGN APPROVE
	△A				
	△B				

REFERENCE ONLY



NOTES:

1. MATERIAL: SYNTHETIC PAPER t=0.15mm (WITH GLUE)
(UL/CSA APPROVED)
2. BACKGROUND COLOR: WHITE
3. TEXT & WRITING AREA COLOR: PANTONE Process Black C
4. RELEASE LINER: REG2
5. THIS PRODUCT/COMPONENT MUST COMPLY WITH
CHICONY SPECIFICATION "ISO 361"

0238T		253-00238L-		CHICONY		
MODEL NO.		PART NO.		REMARK		
CHICONY ELECTRONICS CO.,LTD			MAT.: NOTES		MODEL NO.: 0238T	
APPROVED	CHECKED	DESIGNED	SPEC: NOTES			
		CLAIRE	FINISH: NOTES		NAME: (FOR MOUSE) SPEC. ID LABEL	
			TOL:	Q'TY		SIZE: A4
		08/21-'06	SCALE: 1 : 1 UNIT: MM			DWG NO.: 0238-Chicony-X0