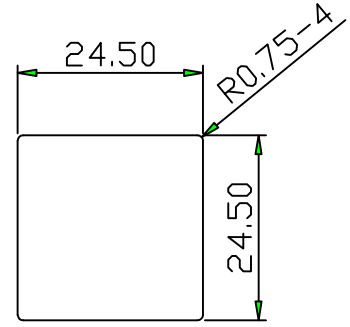


	A	B	C	D	E
1	REV LTR	DATE	REV . DIMENSION		DESIGN APPROVE
	△B				
	△C				



← VENDER UL MARK.



NOTES:

- 1.MATERIAL: SYNTHETIC PAPER t=0.15mm (WITH GLUE)
(UL/CSA APPROVED)
- 2.BACKGROUND COLOR: WHITE
- 3.TEXT & SYMBOLS COLOR: PANTONE Cool Gray 10C
- 4.FINISHED: ADHESIVE.
- 5.LABEL VENDOR HAS TO BE APPRD. BY UL/CSA.
6. THIS PRODUCT/COMPONENT MUST COMPLY WITH CHICONY SPECIFICATION "ISO 361" .

MG-0751T		253-00751L-		SAMSUNG(PLEOMAX)	
MODEL NO.		PART NO.		REMARK	
CHICPNY ELECTRONICS CP.,LTD			MAT.: NOTES		MODEL NO.: MG-0751T
APPROVED	CHECKED	DESIGNED	SPEC: NOTES		
ANDY		CLAIRE	FINISH: NOTES		NAME: (Mouse) SPEC. ID LABEL
			TOL:	Q'TY	
05/22-'08		05/22-'08	SCALE: 1 : 1		DWG NO.: 0751(MOC-300)-X0

A B C D E