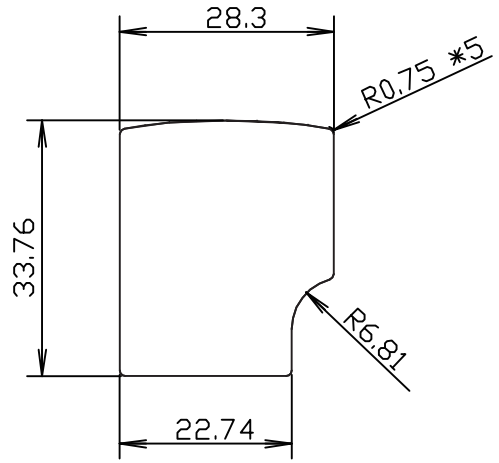


	A	B	C	D	E
1	REV LTR	DATE	REV. DIMENSION		DESIGN APPROVE
	△B				
	△C				



VENDER UL MARK.



**NOTES:**

- 1.MATERIAL: SYNTHETIC PAPER t=0.1mm (WITH GLUE)  
(UL/CSA APPROVED)
- 2.BACKGROUND COLOR: PANTONE Process Black C
- 3.TEXT & SYMBOLS COLOR: WHITE
- 4.須符合 BPA free (小於0.1 PPM)
- 5.FINISHED: ADHESIVE.
- 6.LABEL VENDOR HAS TO BE APPRD. BY UL/CSA.
- 7.THIS PRODUCT/COMPONENT MUST COMPLY WITH CHICONY SPECIFICATION "ISO 361"

MG-1823		253-01823L-***		AMAZON	
MODEL NO.		PART NO.		REMARK	
CHICONY ELECTRONICS CO.,LTD			MAT.: NOTES		MODEL NO.: <b>MG-1823</b>
APPROVED	CHECKED	DESIGNED	SPEC: NOTES		
Tommy	Penny T. S.	Nash	FINISH: NOTES		NAME: (FOR MOUSE) <b>SPEC. ID LABEL</b>
			TOL:	Q'TY	
10/17-'18	10/17-'18	10/17-'18	SCALE: 1 : 1	UNIT: MM	DWG NO.: 1823XXX0L REV.X0

A B C D E



Label location