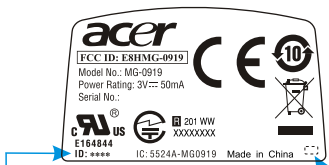
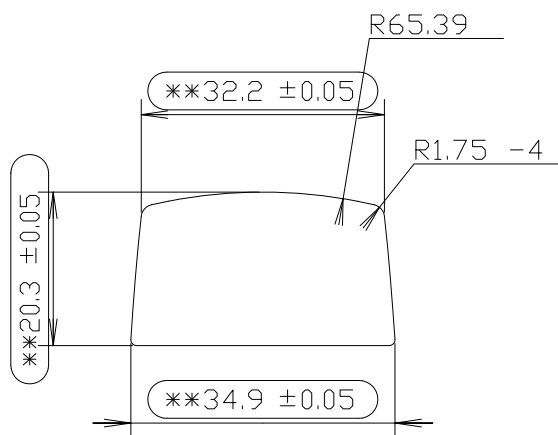


	A	B	C	D	E
1	REV LTR	DATE	REV . DIMENSION		DESIGN APPROVE
	△A				
	△B				



VENDER UL MARK

CEM 2 → ID: CEM2
CEM 3 → ID: CEM3



NOTES:

- 1.MATERIAL: SYNTHETIC PAPER+亮光膜 t=0.15mm (WITH GLUE) (UL/CSA APPROVED)
- 2.BACKGROUND COLOR: WHITE
- 3.CHARACTER COLOR: PANTONE COOL GRAY 7C
- 4.FINISHED: ADHESIVE.
- 5.LABEL VENDOR HAS TO BE APPRD. BY UL/CSA.
- 6.THIS PRODUCT/COMPONENT MUST COMPLY WITH CHICONY SPECIFICATION "ISO 361"

MG-0919		253-00919L-A		ACER	
MODEL NO.		PART NO.		REMARK	
CHICONY ELECTRONICS CO.,LTD			MAT.: NOTES		MODEL NO.: MG-0919
APPROVED	CHECKED	DESIGNED	SPEC: NOTES		
ANDY	T. S.	TAMMY	FINISH: NOTES		NAME: (FOR MOUSE) SPEC. ID LABEL
			TOL:	Q'TY	
04/16-'09	04/16-'09	04/16-'09	SCALE: 1:1 UNIT: MM		DWG NO.: MG0919-FCC-X2

A B C D E