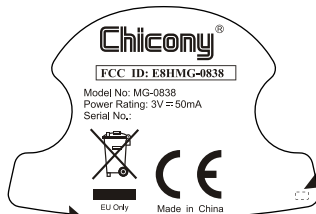
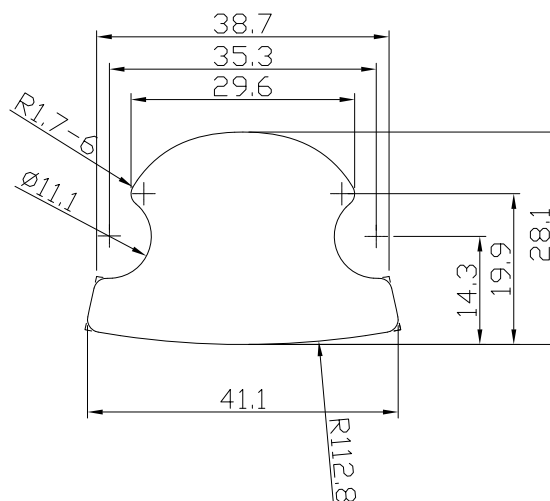


	A	B	C	D	E
1	REV LTR	DATE	REV . DIMENSION	DESIGN	APPROVE
	△B				
	△C				



VENDER UL MARK.

CEM 2 → ID: CEM2
CEM 3 → ID: CEM3



NOTES:

- 1.MATERIAL: SYNTHETIC PAPER t=0.15mm (WITH GLUE)
- 2.BACKGROUND COLOR: WHITE
- 3.CHARACTER COLOR: PANTONE Process Black C
- 4.FINISHED: ADHESIVE.
- 5.LABEL VENDOR HAS TO BE APPRD. BY UL/CSA.
- 6.THIS PRODUCT/COMPONENT MUST COMPLY WITH CHICONY SPECIFICATION "ISO 361"

MG-0838		253-00838L-		CHICONY	
MODEL NO.		PART NO.		REMARK	
CHICONY ELECTRONICS CO.,LTD			MAT.: NOTES		MODEL NO.: MG-0838
APPROVED	CHECKED	DESIGNED	SPEC: NOTES		
		TAMMY	FINISH: NOTES		NAME: (FOR MOUSE) SPEC. ID LABEL
			TOL:	Q'TY	
		11/03-'08	SCALE: 1 : 1		DWG NO.: MG-0838-FCC-X1

A B C D E