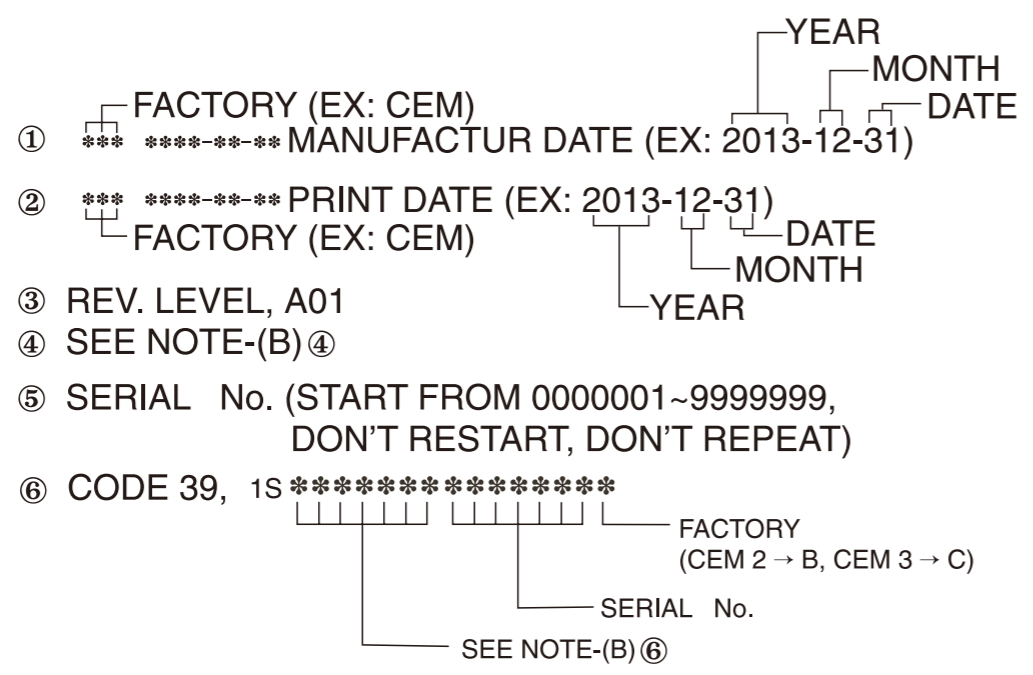
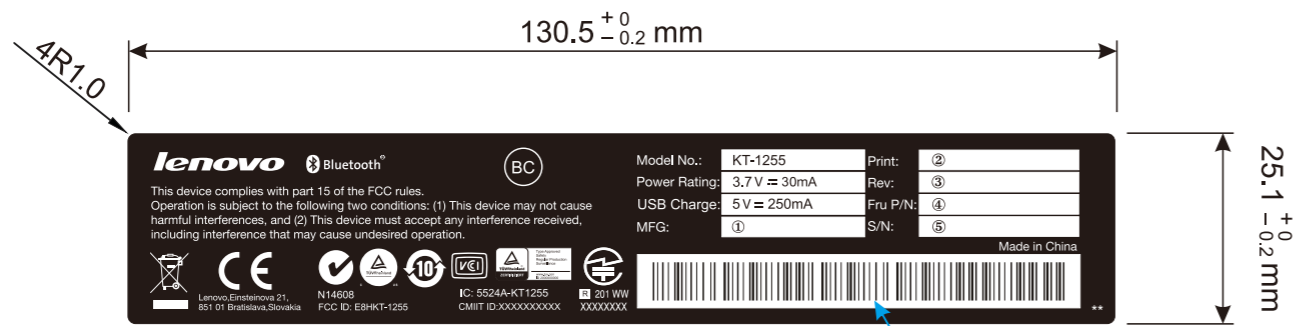


A B C D E

| REV LTR | DATE | REV. DIMENSION | DESIGN | APPROVE |
|---------|------|----------------|--------|---------|
| △B | | | | |
| △C | | | | |
| △D | | | | |
| △E | | | | |



(B)

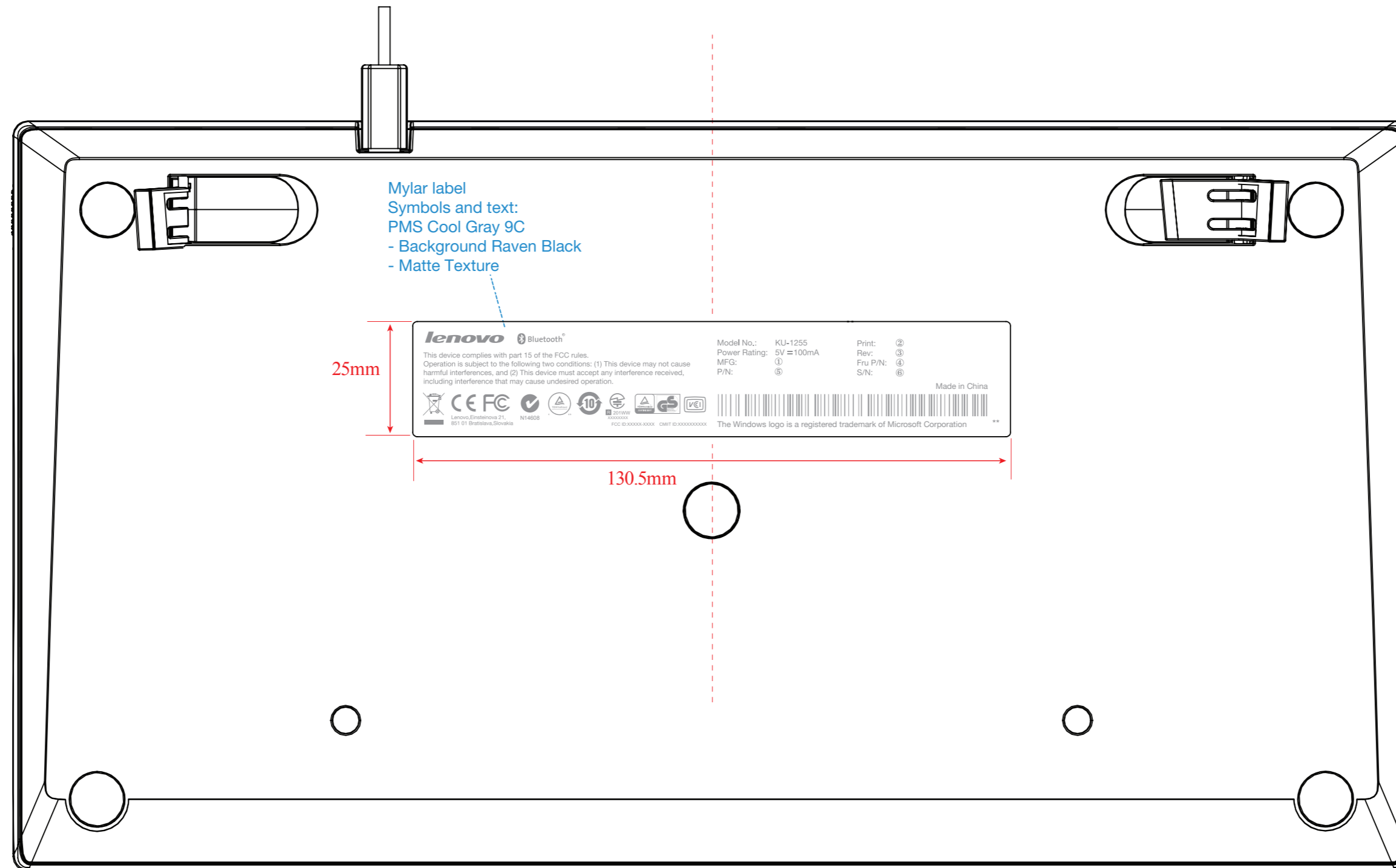
| Item | Language | Chicony P/N | ④ Lenovo Fru P/N | ⑥ Lenovo P/N |
|------|----------|----------------|------------------|--------------|
| 1 | J0 | 786-12550L-A02 | 03X8707 | 03X8707 |
| 2 | US | 786-12553L-A02 | 03X8697 | 03X8697 |
| 3 | U4 | 786-12553L-A07 | 03X8714 | 03X8714 |
| 4 | B0 | 786-12556L-A01 | 03X8698 | 03X8698 |
| 5 | CH | 786-12556L-A02 | 03X8712 | 03X8712 |
| 6 | D0 | 786-12556L-A03 | 03X8705 | 03X8705 |
| 7 | DK | 786-12556L-A04 | 03X8701 | 03X8701 |
| 8 | E0 | 786-12556L-A05 | 03X8710 | 03X8710 |
| 9 | F0 | 786-12556L-A06 | 03X8703 | 03X8703 |
| 10 | GB | 786-12556L-A07 | 03X8713 | 03X8713 |
| 11 | I1 | 786-12556L-A08 | 03X8706 | 03X8706 |
| 12 | N0 | 786-12556L-A09 | 03X8708 | 03X8708 |
| 13 | NL | 786-12556L-A10 | 03X8702 | 03X8702 |
| 14 | P0 | 786-12556L-A11 | 03X8709 | 03X8709 |
| 15 | S0 | 786-12556L-A12 | 03X8711 | 03X8711 |
| 16 | BU | 786-12556L-A13 | 03X8699 | 03X8699 |

NOTE:

- MATERIAL:(1).SURFACE: SYNTHETIC FILM (合成膜)
THICKNESS:0.180±0.005
(2).LINER: PE LAMI. RELEASE PAPER (PE淋膜离型紙)
THICKNESS: 0.130±0.008
- BACKGROUND COLOR: RAVEN BLACK
- TEXT & SYMBOLS: PANTONE COOL GRAY 9C
- ADD PRINTING TEXT & BAR CODE COLOR: BLACK
- RELEASE LINER: REG2
- THIS PRODUCT/COMPONENT MUST COMPLY WITH CHICONY SPECIFICATION "ISO 361"

| | | | | |
|-----------|-----------|-----------|-------------------------------------|---------|
| APPROVE | CHECK | DESIGN | Lenovo | KT-1255 |
| WADE | MICHELLE | MAGGIE | PART NAME: SPEC. ID LABEL | |
| 03/27-'13 | 03/27-'13 | 03/27-'13 | DWG No.: 12550530L-X8 | |

Lenovo Confidential



| | |
|--|----------------------|
| Title: ThinkPad Wireless Keyboard bottom label | |
| Project: ThinkPad Wireless | Designer: Peter Rane |
| lenovo | Date: 1/30/2013 |
| | Scale: 1:1 |