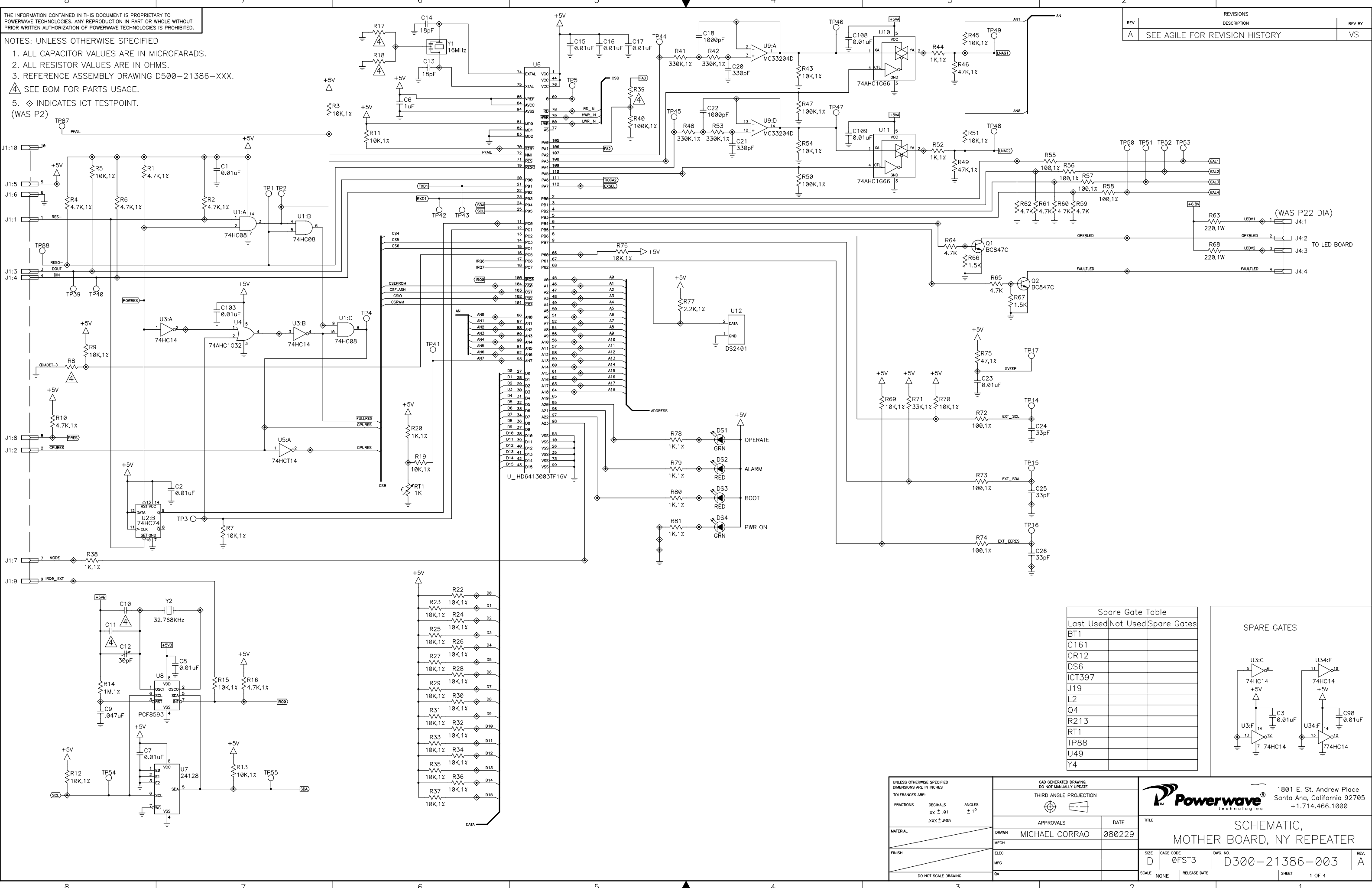


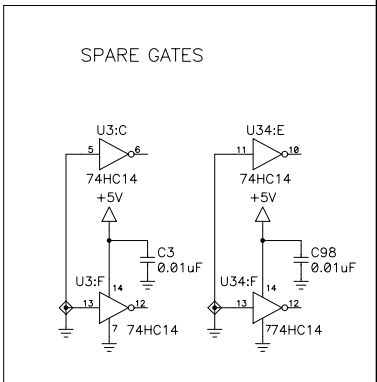
THE INFORMATION CONTAINED IN THIS DOCUMENT IS PROPRIETARY TO POWERWAVE TECHNOLOGIES. ANY REPRODUCTION IN PART OR WHOLE WITHOUT PRIOR WRITTEN AUTHORIZATION OF POWERWAVE TECHNOLOGIES IS PROHIBITED.

- NOTES: UNLESS OTHERWISE SPECIFIED
1. ALL CAPACITOR VALUES ARE IN MICROFARADS.
 2. ALL RESISTOR VALUES ARE IN OHMS.
 3. REFERENCE ASSEMBLY DRAWING D500-21386-XXX.
 4. SEE BOM FOR PARTS USAGE. (WAS P2)
 5. INDICATES ICT TESTPOINT.

REVISIONS		
REV	DESCRIPTION	REV BY
A	SEE AGILE FOR REVISION HISTORY	VS

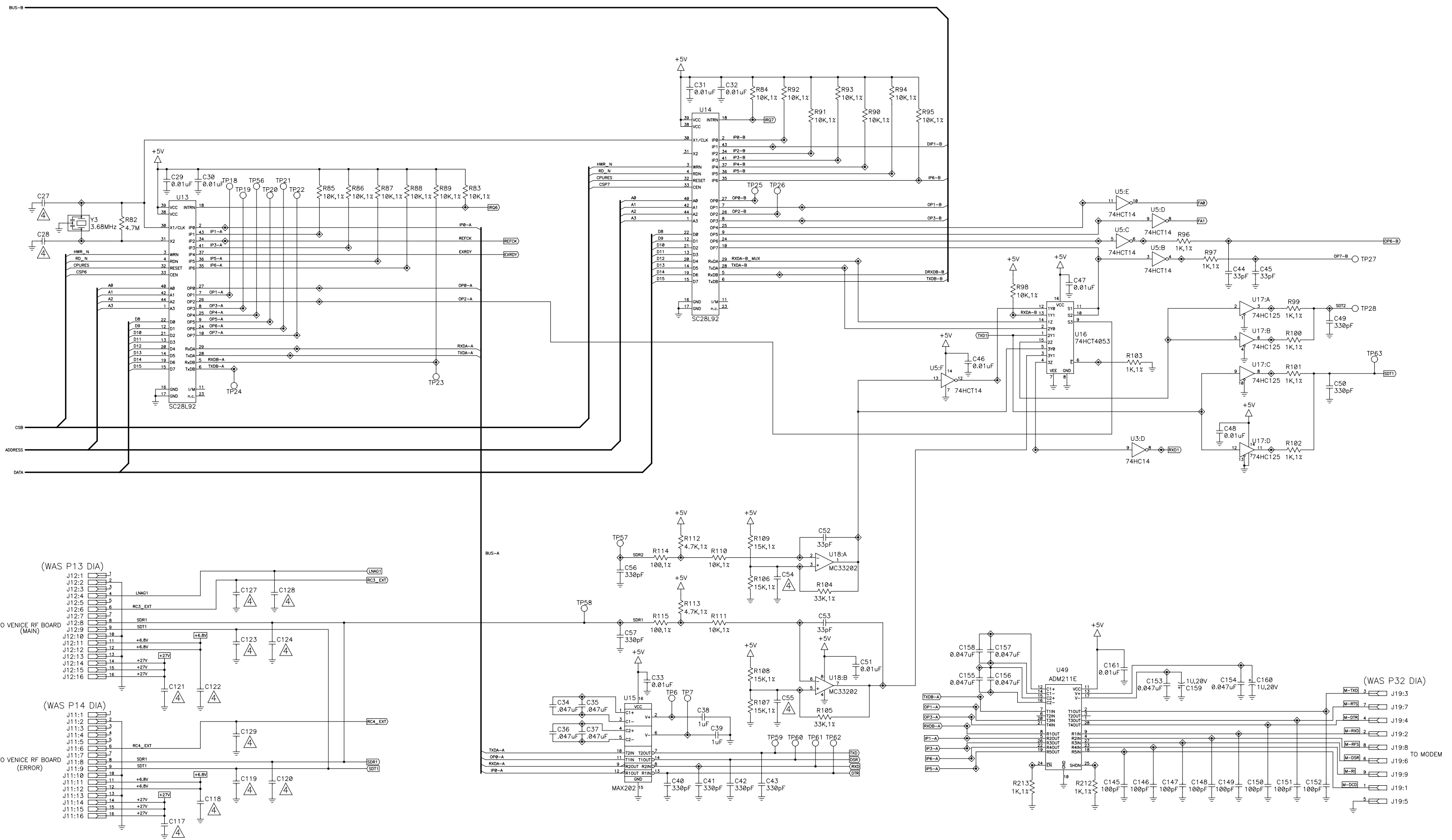


Spare Gate Table		
Last Used	Not Used	Spare Gates
BT1		
C161		
CR12		
DS6		
ICT397		
J19		
L2		
Q4		
R213		
RT1		
TP88		
U49		
Y4		



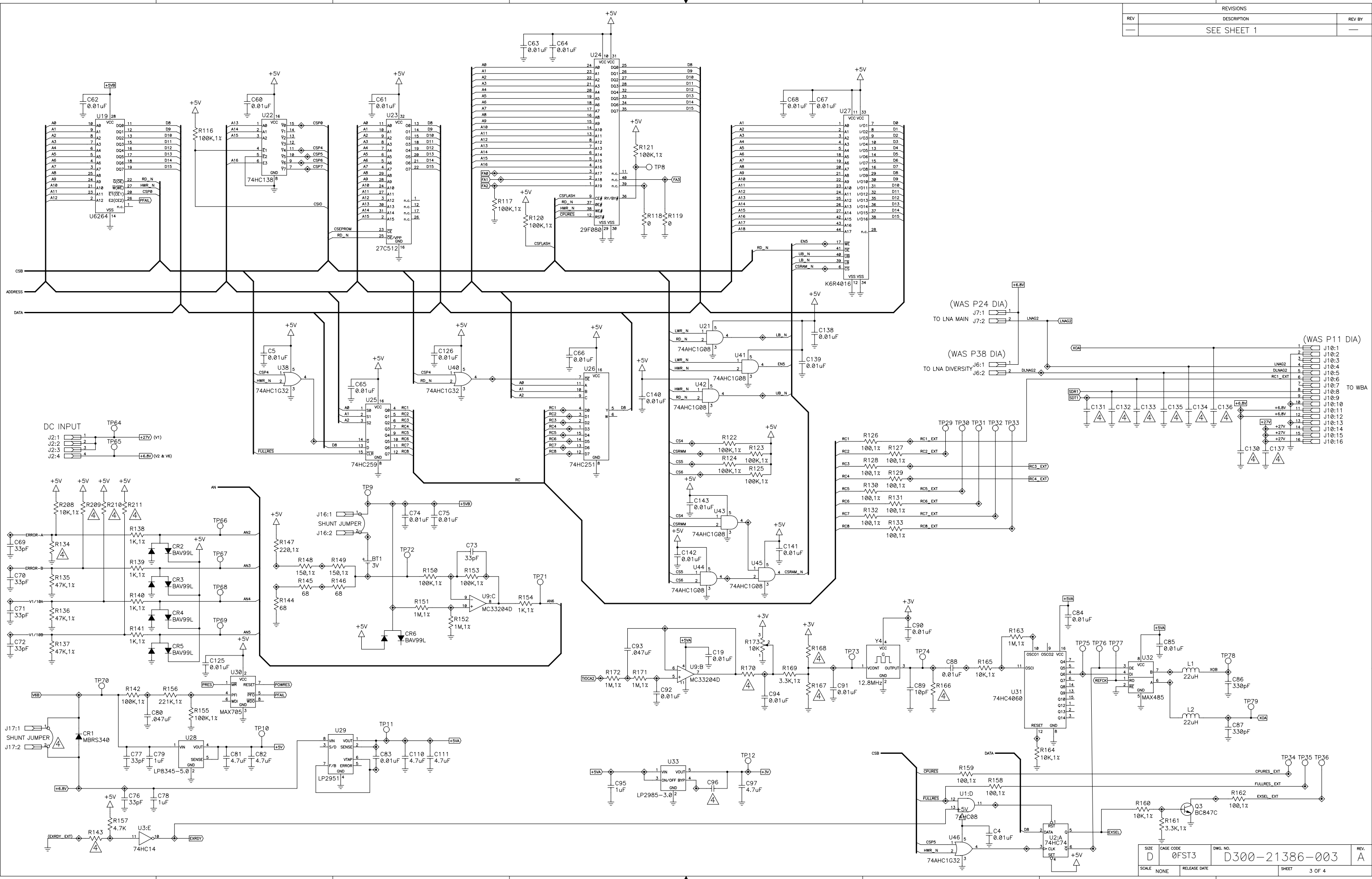
UNLESS OTHERWISE SPECIFIED DIMENSIONS ARE IN INCHES TOLERANCES ARE: FRACTIONS .xx ± .01 DECIMALS .xxx ± .005 ANGLES ± 1°	CAD GENERATED DRAWING. DO NOT MANUALLY UPDATE				1801 E. St. Andrew Place Santa Ana, California 92705 +1.714.466.1000	
	THIRD ANGLE PROJECTION				TITLE SCHEMATIC, MOTHER BOARD, NY REPEATER	
MATERIAL	APPROVALS DRAWN MICHAEL CORRAO	DATE 080229	SIZE D	CAGE CODE 0FST3	DWG. NO. D300-21386-003	REV. A
FINISH	DO NOT SCALE DRAWING		SCALE NONE	RELEASE DATE	SHEET 1 OF 4	

REVISIONS		
REV	DESCRIPTION	REV BY
—	SEE SHEET 1	—



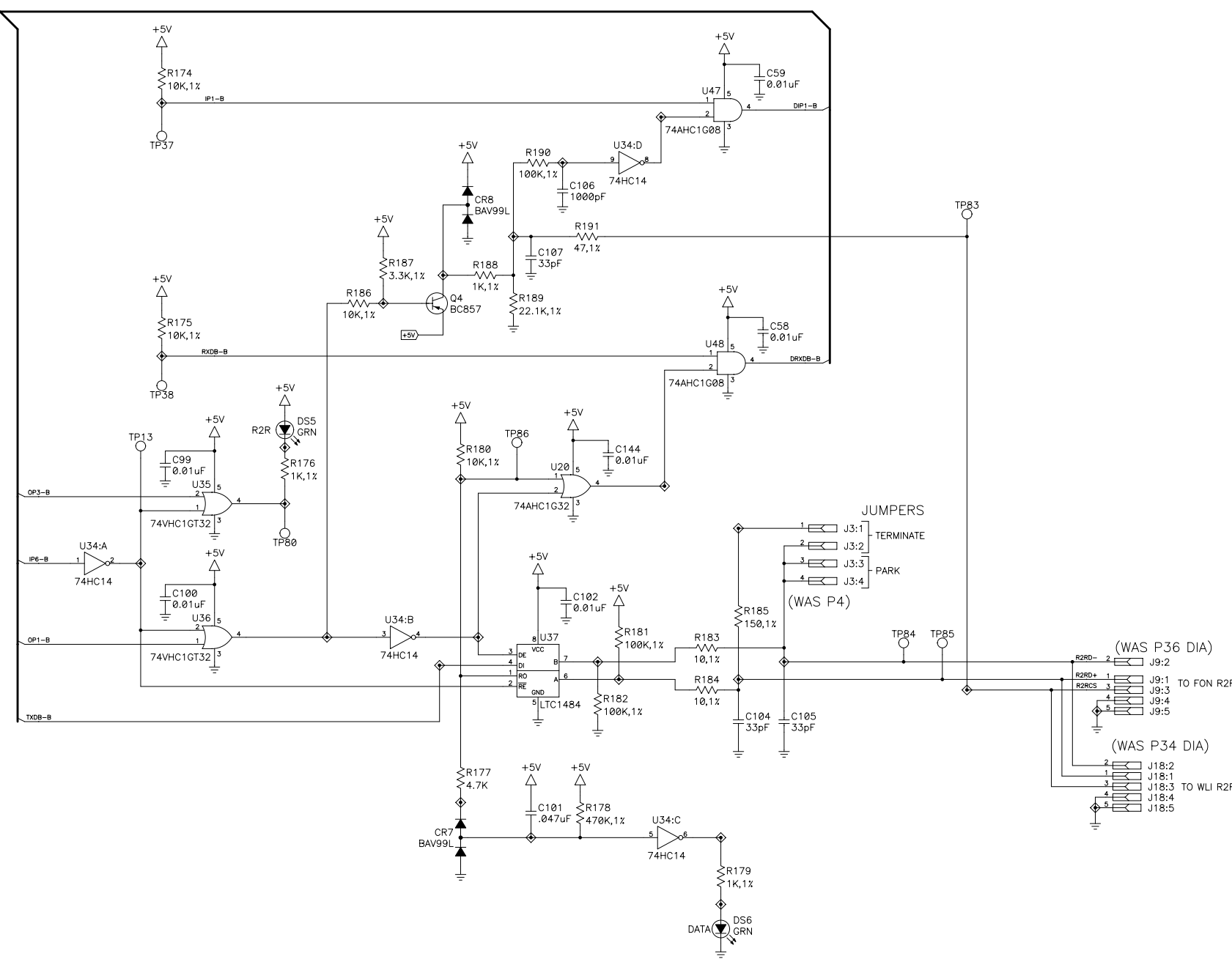
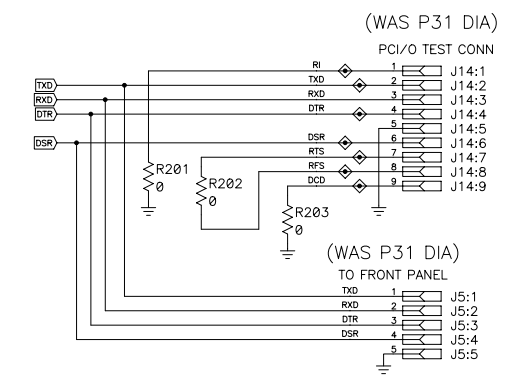
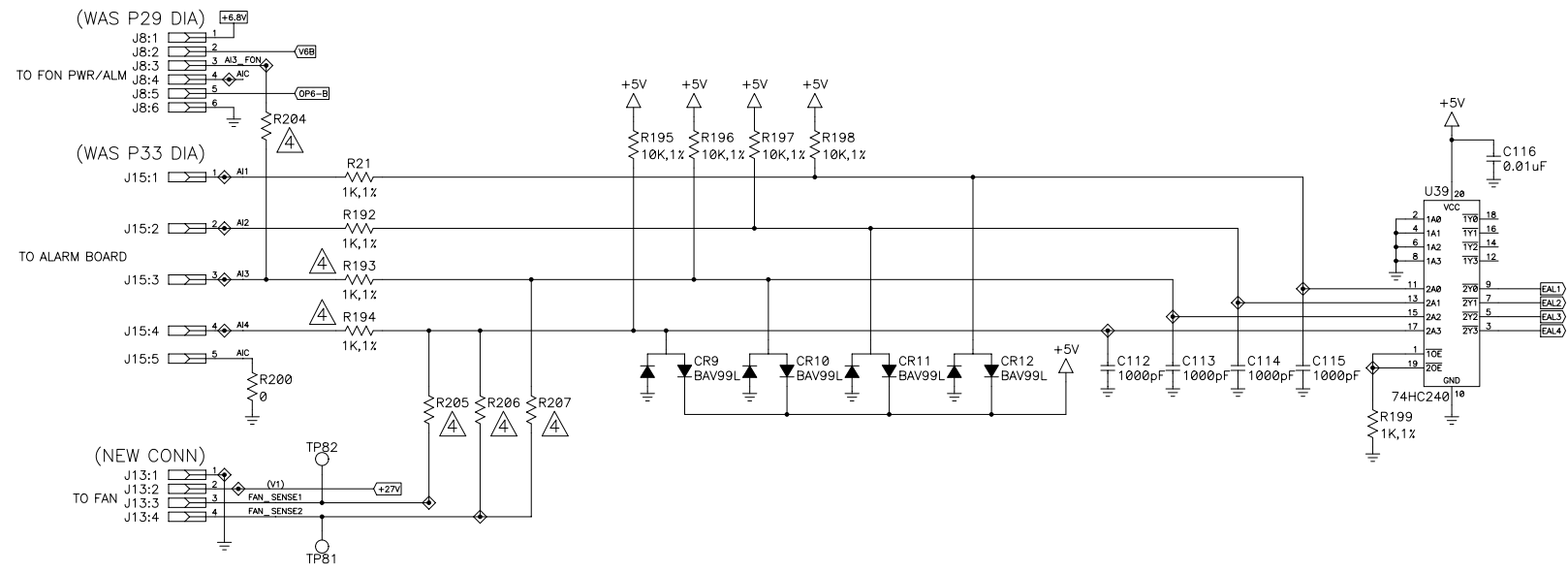
SIZE	CAGE CODE	DWG. NO.	REV.
D	ØFST3	D300-21386-003	A
SCALE	RELEASE DATE	SHEET	REV.
NONE		2 OF 4	

REVISIONS		
REV	DESCRIPTION	REV BY
—	SEE SHEET 1	—



SIZE	CAGE CODE	DWG. NO.	REV.
D	ØFST3	D300-21386-003	A
SCALE	RELEASE DATE	SHEET	3 OF 4
NONE			

REVISIONS		
REV	DESCRIPTION	REV BY
—	SEE SHEET 1	—



SIZE D	CAGE CODE ØFST3	DWG. NO. D300-21386-003	REV. A
SCALE NONE	RELEASE DATE	SHEET 4 OF 4	